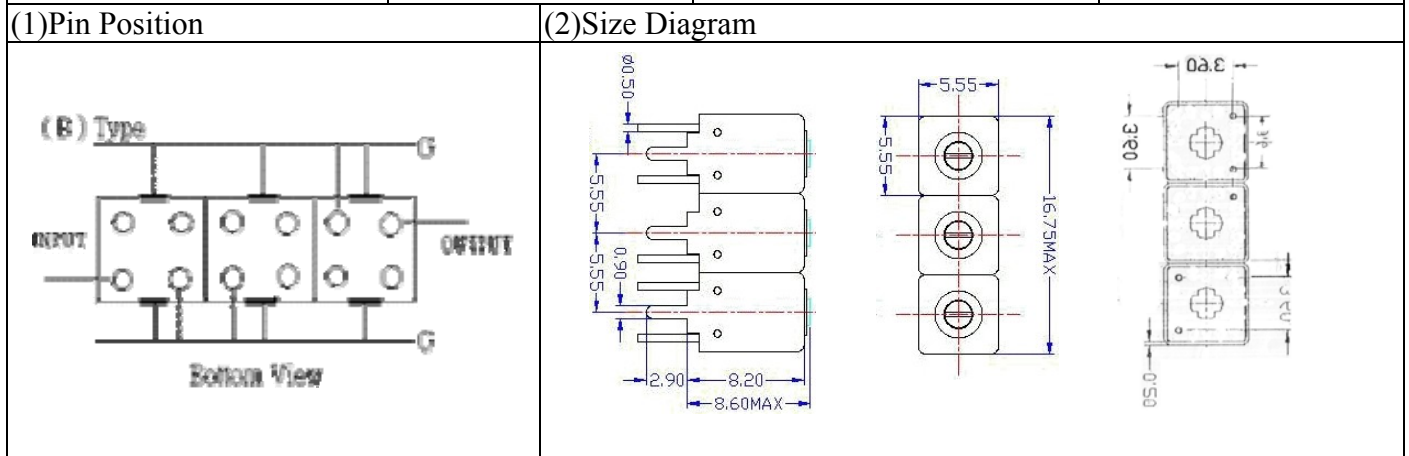


VHF UHF Helical Filter Specification Sheet

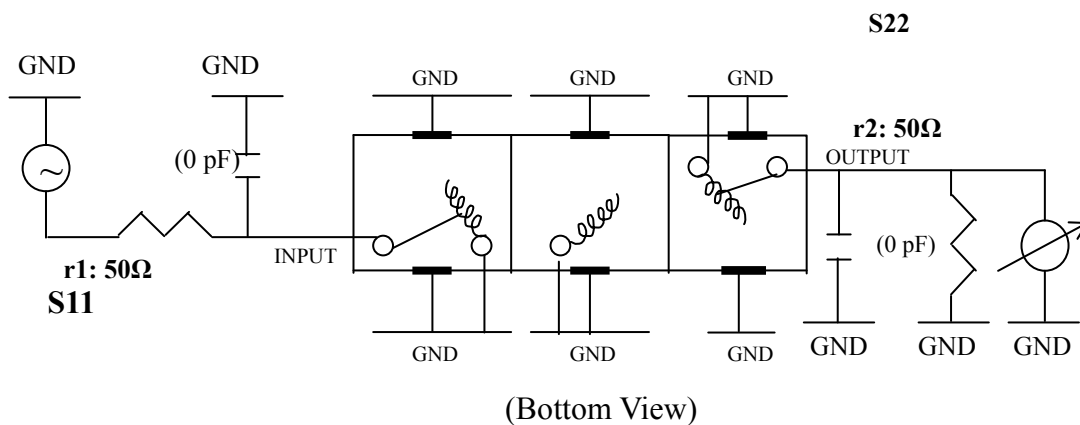
Customer Name		Temwell's Part No.	TTW3859B-2450M
Approval No. /dated	0607030APR	Temwell's Print Name.	2400~2450M
Work Instruction No.	0607030C	Date	Jul.20.2006



(3) Electric Characteristic			
Item		Specify	Performance
Center Freq (Fo) +/-0.5%		2450 MHz	2450 MHz
Tunable Range		2450±5 MHz	2450±5 MHz
Insertion Loss		Typ. 3.0 dB	1.89 dB
-3 dB Bandwidth		Typ. 100 MHz	132 MHz
Sensitivity (Attenuation)	Fo - 300 MHz	Typ. 41 dBc	45 dBc
	Fo + 300 MHz	Typ. 24 dBc	28 dBc
	Fo - ()MHz	Typ. dBc	dBc
	Fo +()MHz	Typ. dBc	dBc
Return Loss		Min. 12 dB	21.7 dB
Ripple		< 1 dB	dB
Impedance		In / Out : 50 Ω	In / Out : 50 Ω
(4) Torque for Tuning Screw		> 60gf · cm	

(5) Temperature Condition:	
Operating Temperature	0°C ~ +60°C
Storage Temperature	-20°C ~ +70°C
(6) Input Power	>0.5 Watt

(7) Measuring Circuit: ※Easy to match Impedance S11/S22 50Ω/ by parallel with about(0 pF) / (0 pF).

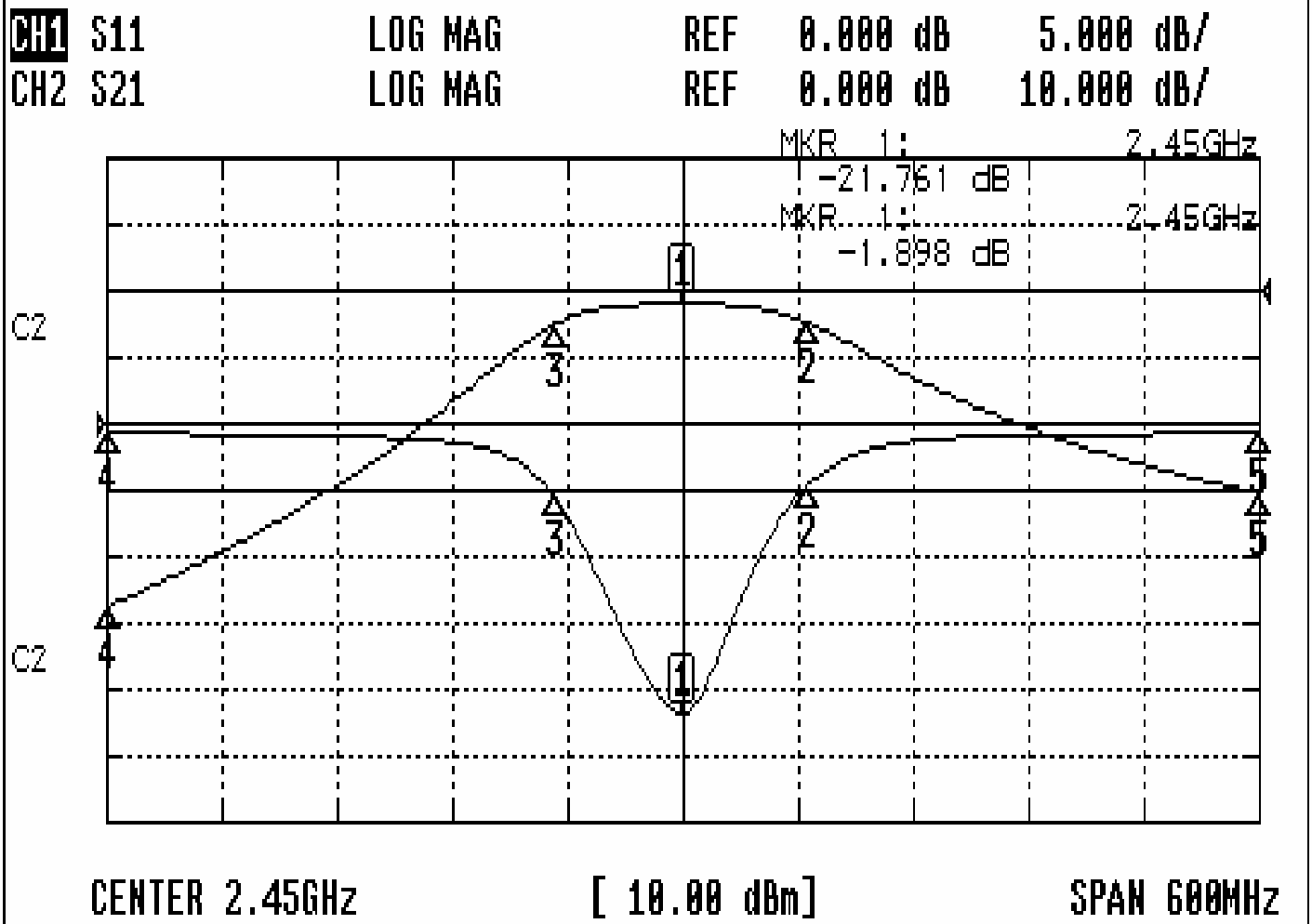


Approval	Supervisor	Designer	Aperture size
C.Y.Chang	C.S.Chang	W.W.Wang	5W3(3.8*5.1) 5HW046RB3.2

TEMWELL CORPORATION

Performance-TTW3859B-2450M

0607030C



CH1 MARKER LIST

1:	2.450	000GHz	-21.761	dB
2:	2.515	500GHz	-4.528	dB
3:	2.383	500GHz	-5.532	dB
4:	2.150	000GHz	-0.697	dB
5:	2.750	000GHz	-0.690	dB
6:				
7:				
8:				
9:				
10:				

CH2 MARKER LIST

1:	2.450	000GHz	-1.898	dB
2:	2.515	500GHz	-4.876	dB
3:	2.383	500GHz	-4.954	dB
4:	2.150	000GHz	-47.377	dB
5:	2.750	000GHz	-30.464	dB
6:				
7:				
8:				
9:				
10:				