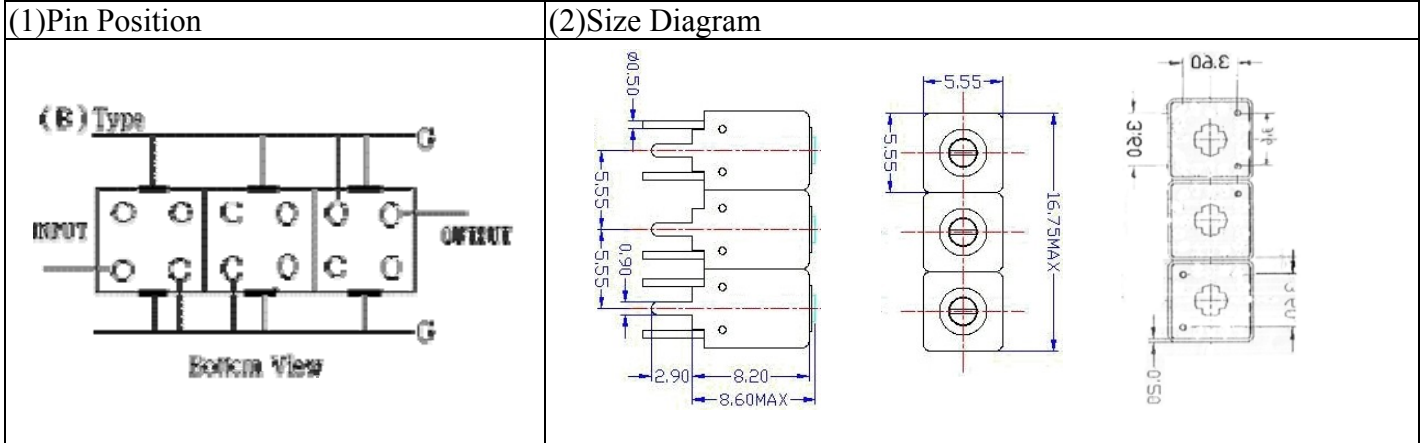


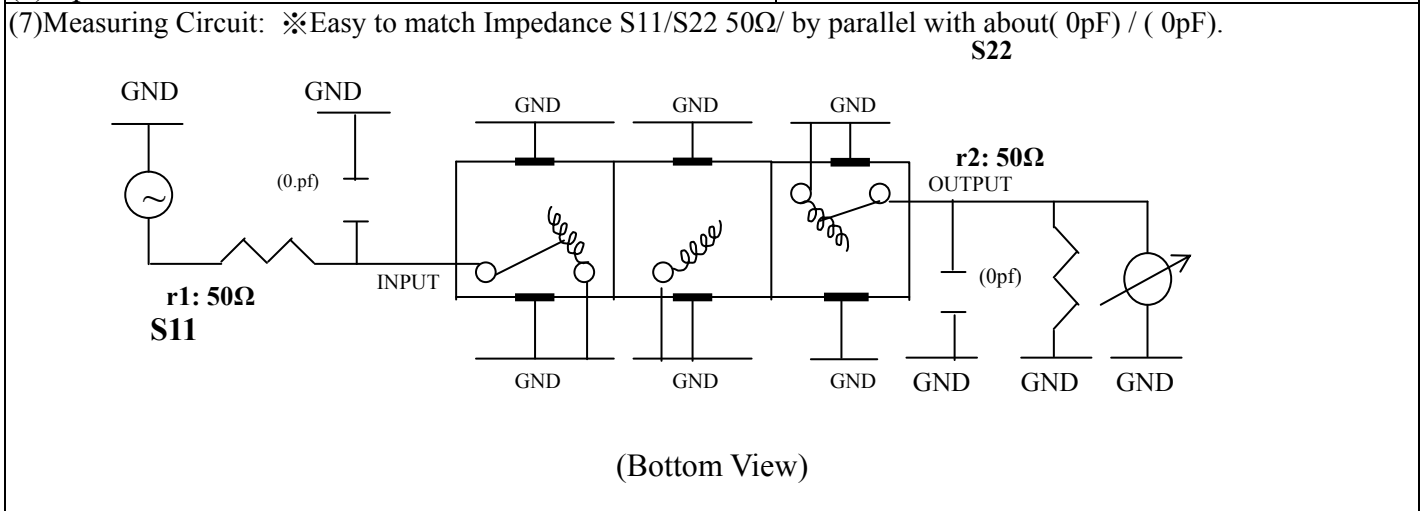
VHF UHF Helical Filter Specification Sheet

Customer Name		Temwell's Part No.	TTW3854B1-2400M
Approval No. /dated	0908135CD	Temwell's print Name.	3854B1 2400M
Work Instruction No.	200908135CD	Date	Sep.07.2009



(3) Electric Characteristic					
Item		Specify		Performance	
Center Freq.(Fo) +/- 0.5 %		2400 MHz		2400 MHz	
Insertion Loss		Typ. 4.0 dB		2.71 dB	
-3 dB Bandwidth		Typ. 100 MHz		111.5 MHz	
Sensitivity (Attenuation)	Fo - 200 MHz	Typ. 36 dBc		38 dBc	
	Fo + 200 MHz	Typ. 20 dBc		25 dBc	
	Fo - ()MHz	Typ. dBc		dBc	
	Fo +()MHz	Typ. dBc		dBc	
Return Loss		Min. 12 dB		34.0 dB	
Ripple		<1 dB		dB	
Impedance		In / Out : 50 Ω		In / Out : 50 Ω	
(4) Torque for Tuning Screw		> 60gf · cm			

(5) Temperature Condition:	
Operating Temperature	0°C ~ +60°C
Storage Temperature	-20°C ~ +70°C
(6) Input Power	> 0.5Watt



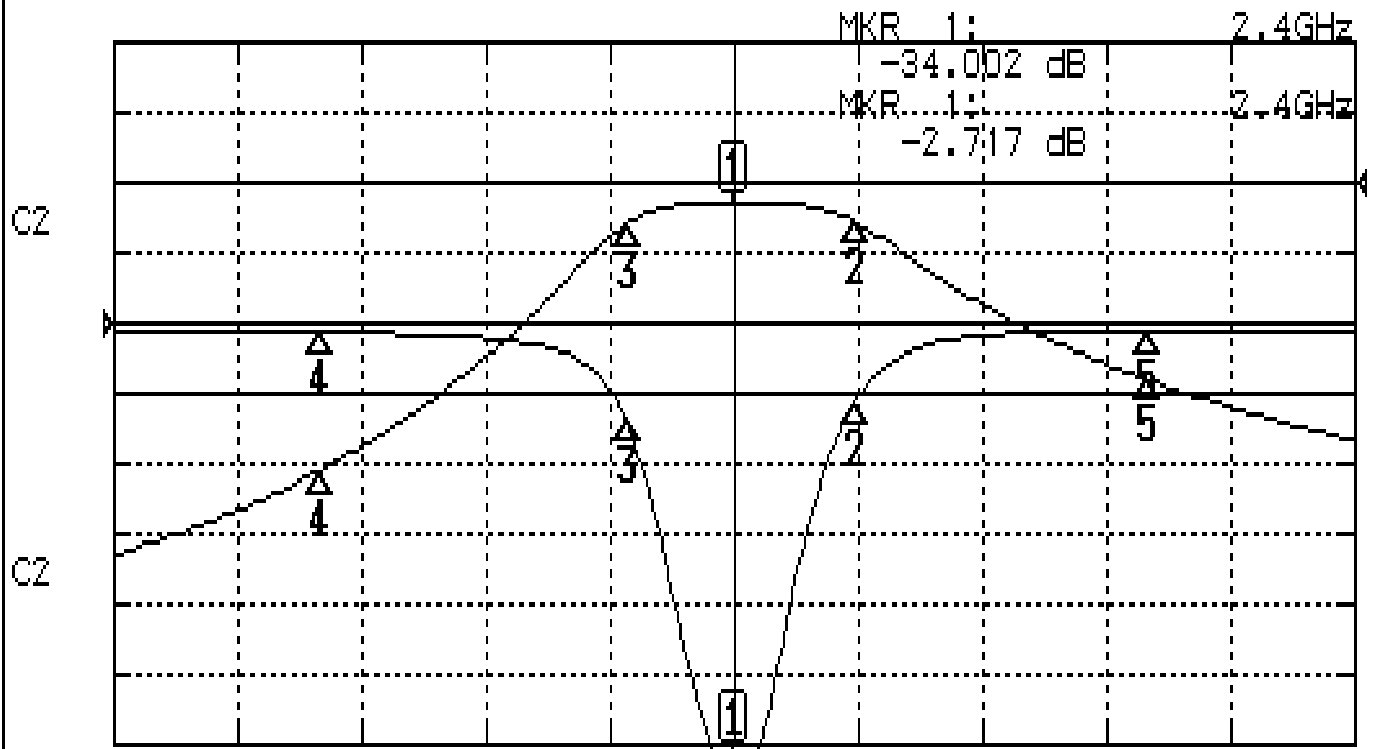
Approval	Supervisor	Designer	Aperture size
C.Y.Chang	C.K.Chang	C.H.Yeh	5W3S(3.8*4.5)(4.53) 052W046RB3.5

TEMWELL CORPORATION

Performance-TTW3854B1-2400M

200908135CD

CH1 S11 LOG MAG REF 0.000 dB 5.000 dB/
CH2 S21 LOG MAG REF 0.000 dB 10.000 dB/



CENTER 2.4GHz

[10.00 dBm]

SPAN 600MHz

CH1 MARKER LIST

Marker	Freq (GHz)	Magnitude (dB)
1	2.400 000	-34.002
2	2.459 500	-15.392
3	2.348 000	-16.894
4	2.200 000	-0.620
5	2.600 000	-0.488

CH2 MARKER LIST

Marker	Freq (GHz)	Magnitude (dB)
1	2.400 000	-2.717
2	2.459 500	-15.703
3	2.348 000	-15.781
4	2.200 000	-40.899
5	2.600 000	-28.123