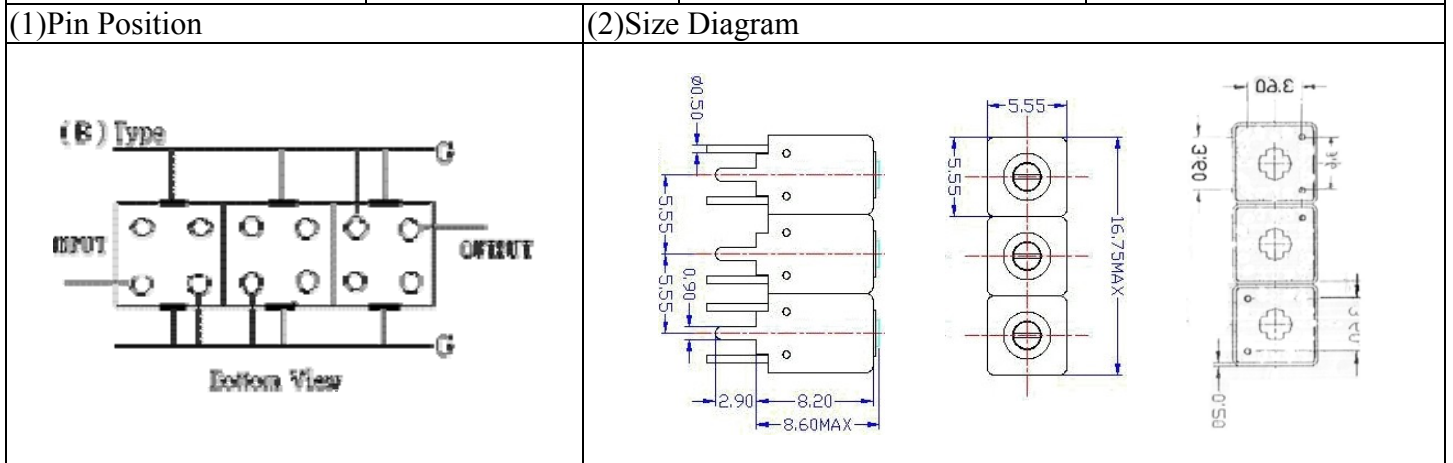


# VHF UHF Helical Filter Specification Sheet

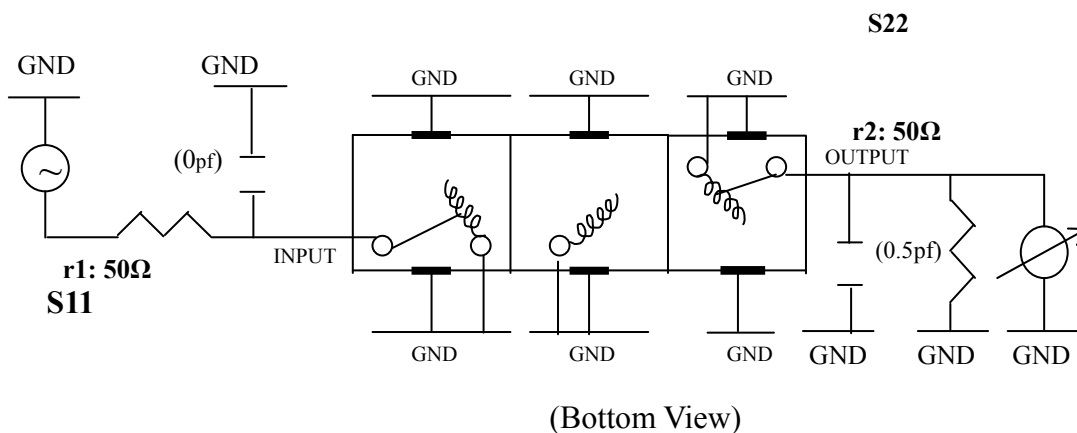
Customer Name		Temwell's Part No.	TTW3853B-2350M
Approval No. /dated	0605045APR	Acceptable Specify Fo Range.	2301~2350MHz
Work Instruction No.	0605045DC	Date	Jun.05.2006



Item		Specify		Performance	
Center Freq.(Fo ) +/- 0.5 %		2350	MHz	2350	MHz
Tunable Range		2350±5	MHz	2350±5	MHz
Insertion Loss		Typ. 3.5	dB	2.67	dB
-3 dB Bandwidth		Typ. 102	MHz	121.5	MHz
Sensitivity (Attenuation)	Fo - 200 MHz	Typ. 36	dBc	39	dBc
	Fo + 200 MHz	Typ. 14	dBc	17	dBc
	Fo - ( )MHz	Typ.	dBc		dBc
	Fo +( )MHz	Typ.	dBc		dBc
Return Loss		Min. 12	dB	25.0	dB
Ripple		< 1	dB		dB
Impedance		In / Out : 50 Ω		In / Out : 50 Ω	

(4) Torque for Tuning Screw	> 60gf · cm
(5) Temperature Condition:	
Operating Temperature	0°C ~ +60°C
Storage Temperature	-20°C ~ +70°C
(6) Input Power	> 0.5Watt

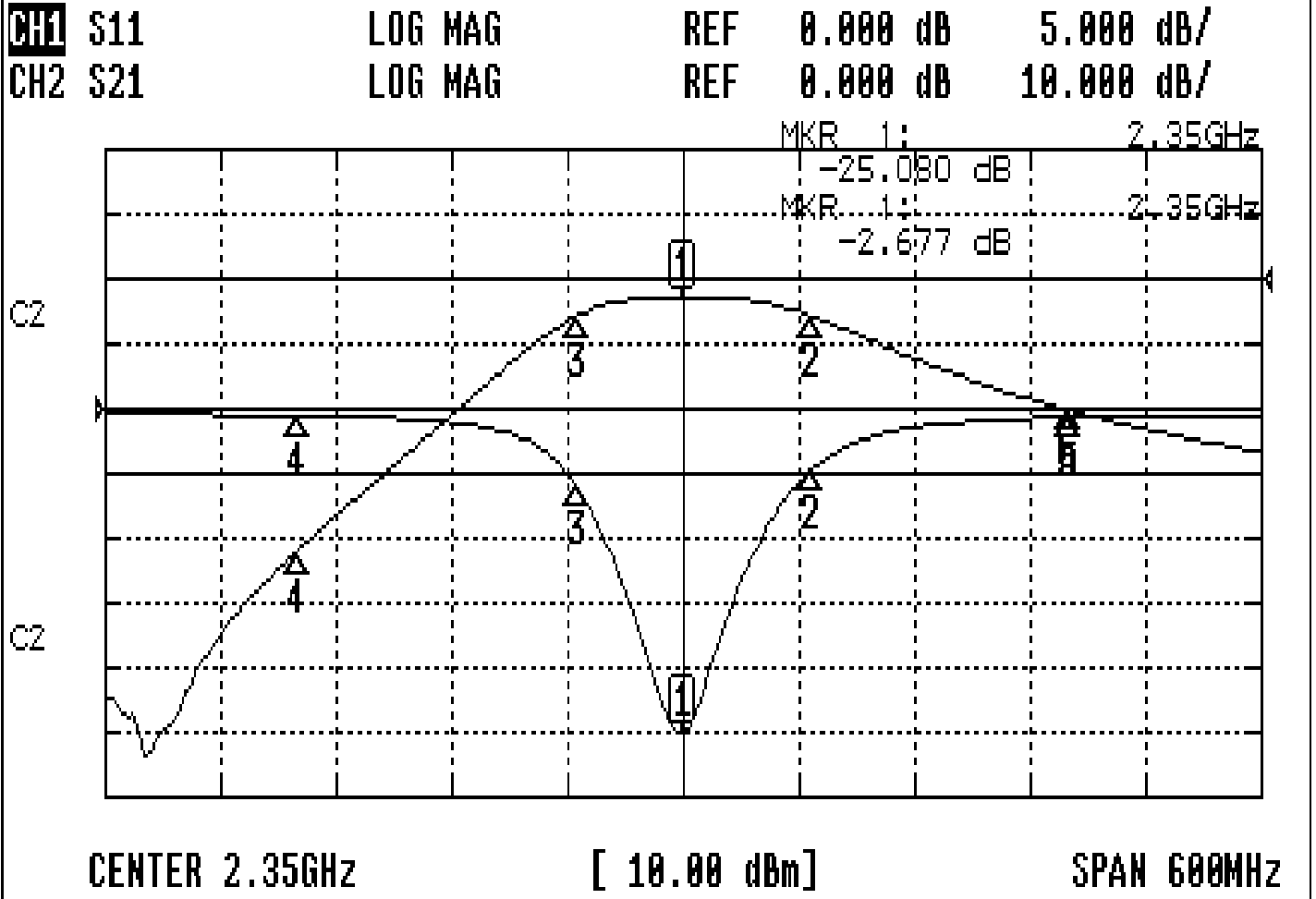
(7) Measuring Circuit: ※Easy to match Impedance S11/S22 50Ω/ by parallel with about( 0pf ) / (0.5 pF).



Approval	Supervisor	Designer	Aperture size
C.Y. Chang	C.S. Chang	P.H. Chiang	5W3(3.8*4.5)(4.59) 5HW046RB3.2
TEMWELL		CORPORATION	

# Performance-TTW3853B-2350M

## 0605045DC



### CH1 MARKER LIST

1:	2.350	000GHz	-25.080	dB
2:	2.416	000GHz	-4.837	dB
3:	2.294	500GHz	-5.972	dB
4:	2.150	000GHz	-0.538	dB
5:	2.550	000GHz	-0.678	dB

### CH2 MARKER LIST

1:	2.350	000GHz	-2.677	dB
2:	2.416	000GHz	-5.612	dB
3:	2.294	500GHz	-5.670	dB
4:	2.150	000GHz	-41.930	dB
5:	2.550	000GHz	-20.199	dB