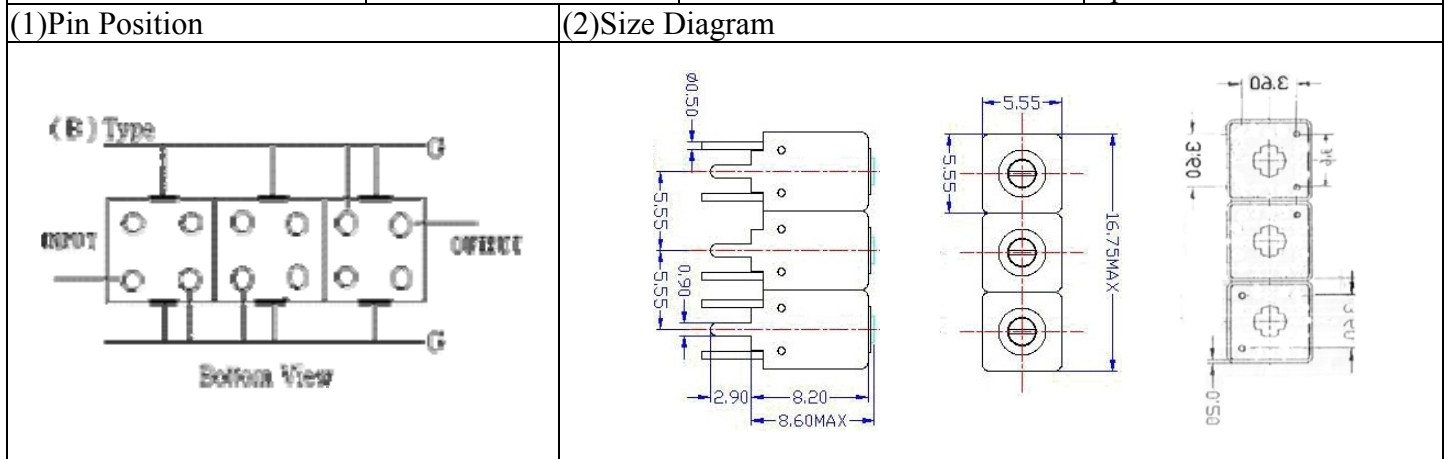


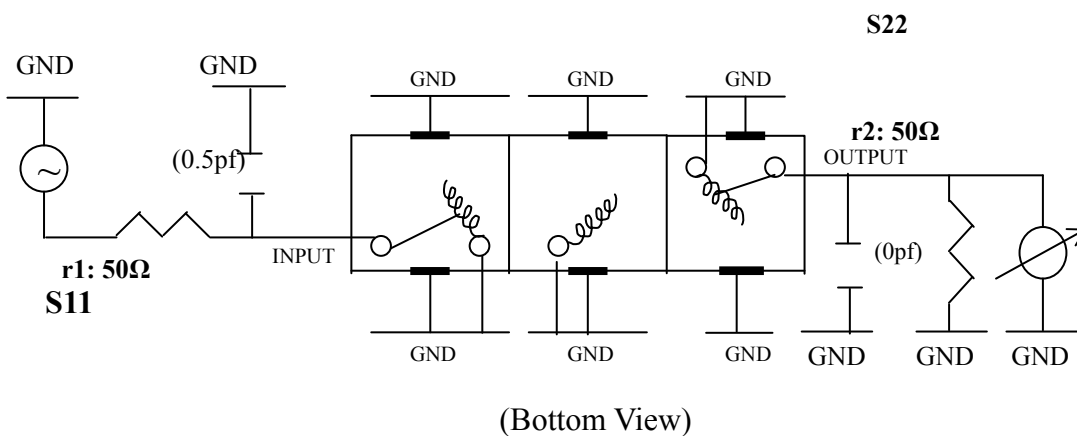
VHF UHF Helical Filter Specification Sheet

Customer Name		Temwell's Part No.	TTW3845B-1450M
Approval No. /dated	0605033APR	Acceptable Specify Fo Range	1401-1450 MHz
Work Instruction No.	0605033DC	Date	Apr.28.2006



(3) Electric Character			
Item	Specify		Performance
Center Freq.(Fo) +/- 0.5 %	1450	MHz	1450 MHz
Tunable Range:	1450±5	MHz	1450±5 MHz
Insertion Loss	Typ. 2.0	dB	1.13 dB
-3 dB Bandwidth	Typ. 102	MHz	115.3 MHz
Sensitivity (Attenuation)	Fo - 200 MHz	Typ. 52	dBc
	Fo + 200 MHz	Typ. 25	dBc
	Fo - ()MHz	Typ.	dBc
	Fo +()MHz	Typ.	dBc
Return Loss	Min. 12	dB	17.0 dB
Ripple	< 1	dB	dB
Impedance	In / Out : 50 Ω		In / Out : 50 Ω
(4) Torque for Tuning Screw		> 60gf · cm	
(5) Temperature Condition:			
Operating Temperature	0°C ~ +60°C		
Storage Temperature	-20°C ~ +70°C		
(6) Input Power	> 0.5Watt		

(7) Measuring Circuit: ※Easy to match Impedance S11/S22 50Ω by parallel with about(0.5pf) / (0pf).



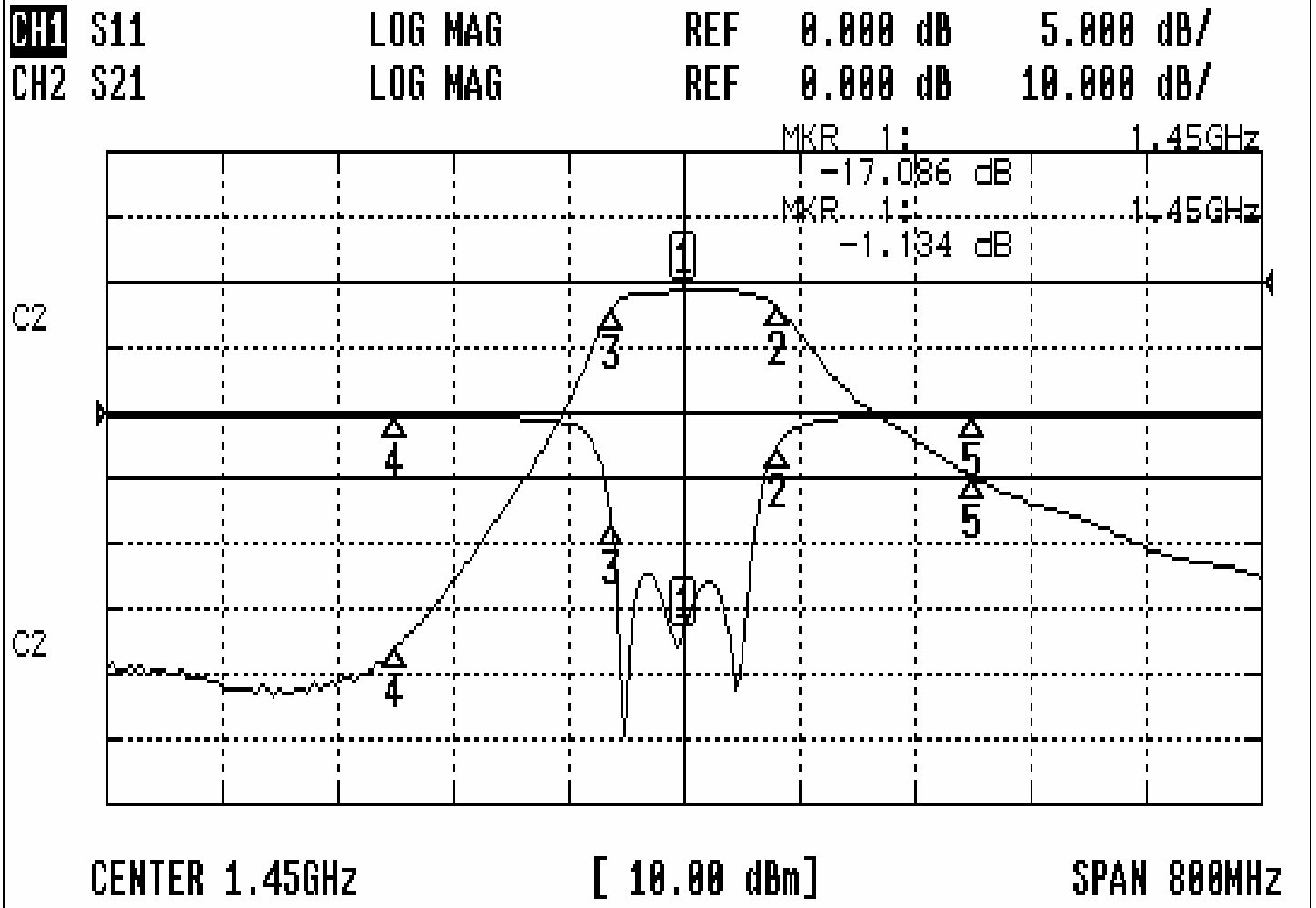
Approval	Supervisor	Designer	Aperture size
C.Y. Chang	C.S. Chang	P.H. Chiang	5W3S(3.8*5.1) 5HW046RB3.2

TEMWELL CORPORATION

TEMWELL RP(PH)

Performance-TTW3845B-1450M

0605033DC



CH1 MARKER LIST

1	1.450	000GHz	-17.094	dB
2	1.515	333GHz	-2.427	dB
3	1.400	000GHz	-8.721	dB
4	1.250	000GHz	-0.313	dB
5	1.650	000GHz	-0.226	dB

CH2 MARKER LIST

1	1.450	000GHz	-1.134	dB
2	1.515	333GHz	-4.101	dB
3	1.400	000GHz	-4.196	dB
4	1.250	000GHz	-56.240	dB
5	1.650	000GHz	-29.798	dB