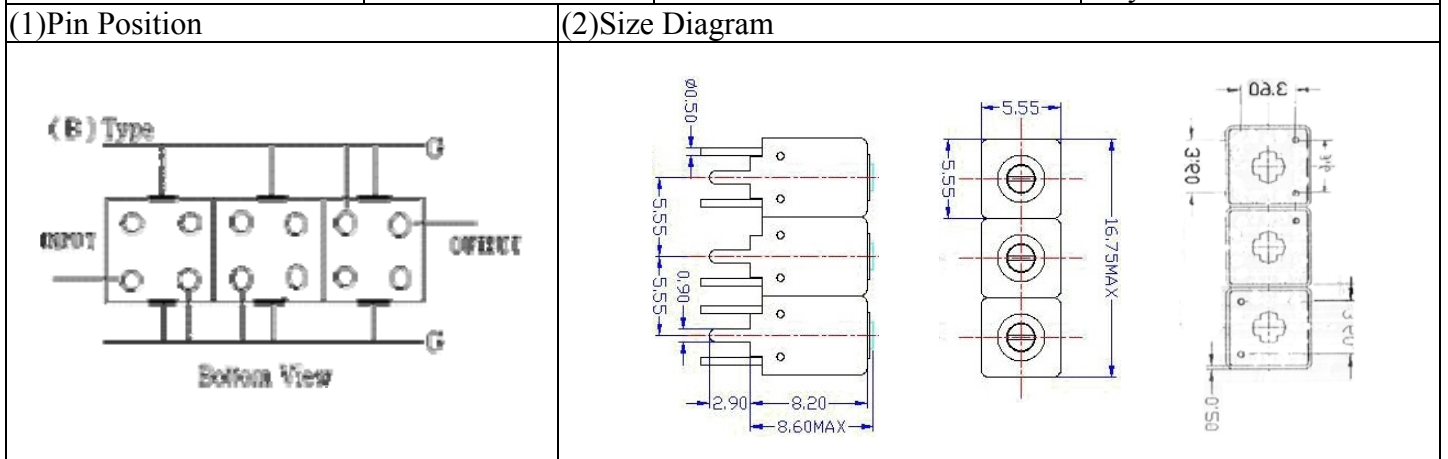


VHF UHF Helical Filter Specification Sheet

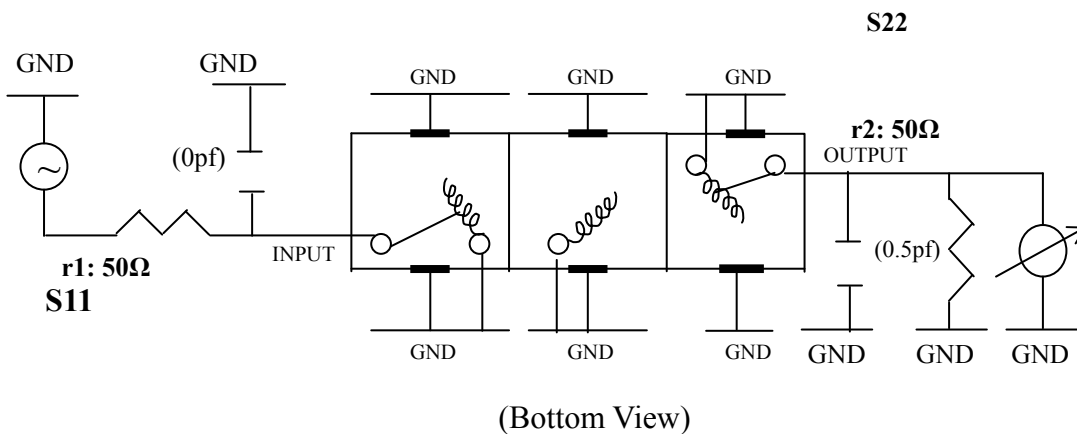
Customer Name		Temwell's Part No.	TTW3842B-1450M
Approval No. /dated	0604028APR	Acceptable Specify Fo Range	1401~1450MHz
Work Instruction No.	0604028DC	Date	May.15.2006



Item		Specify		Performance	
Center Freq.(Fo) +/- 0.5 %		1450	MHz	1450	MHz
Tunable Range:		1450±5	MHz	1450±5	MHz
Insertion Loss		Typ. 2.5	dB	1.76	dB
-3 dB Bandwidth		Typ. 164	MHz	177.3	MHz
Sensitivity (Attenuation)	Fo - 200 MHz	Typ. 27	dBc	30	dBc
	Fo + 200 MHz	Typ. 16	dBc	19	dBc
	Fo - ()MHz	Typ.	dBc		dBc
	Fo +()MHz	Typ.	dBc		dBc
Return Loss		Min. 12	dB	23.1	dB
Ripple		< 1	dB		dB
Impedance		In / Out : 50 Ω		In / Out : 50 Ω	

(4) Torque for Tuning Screw	> 60gf · cm
(5) Temperature Condition:	
Operating Temperature	0°C ~ +60°C
Storage Temperature	-20°C ~ +70°C
(6) Input Power	> 0.5Watt

(7) Measuring Circuit: ※Easy to match Impedance S11/S22 50Ω by parallel with about(0pf) / (0.5pf).

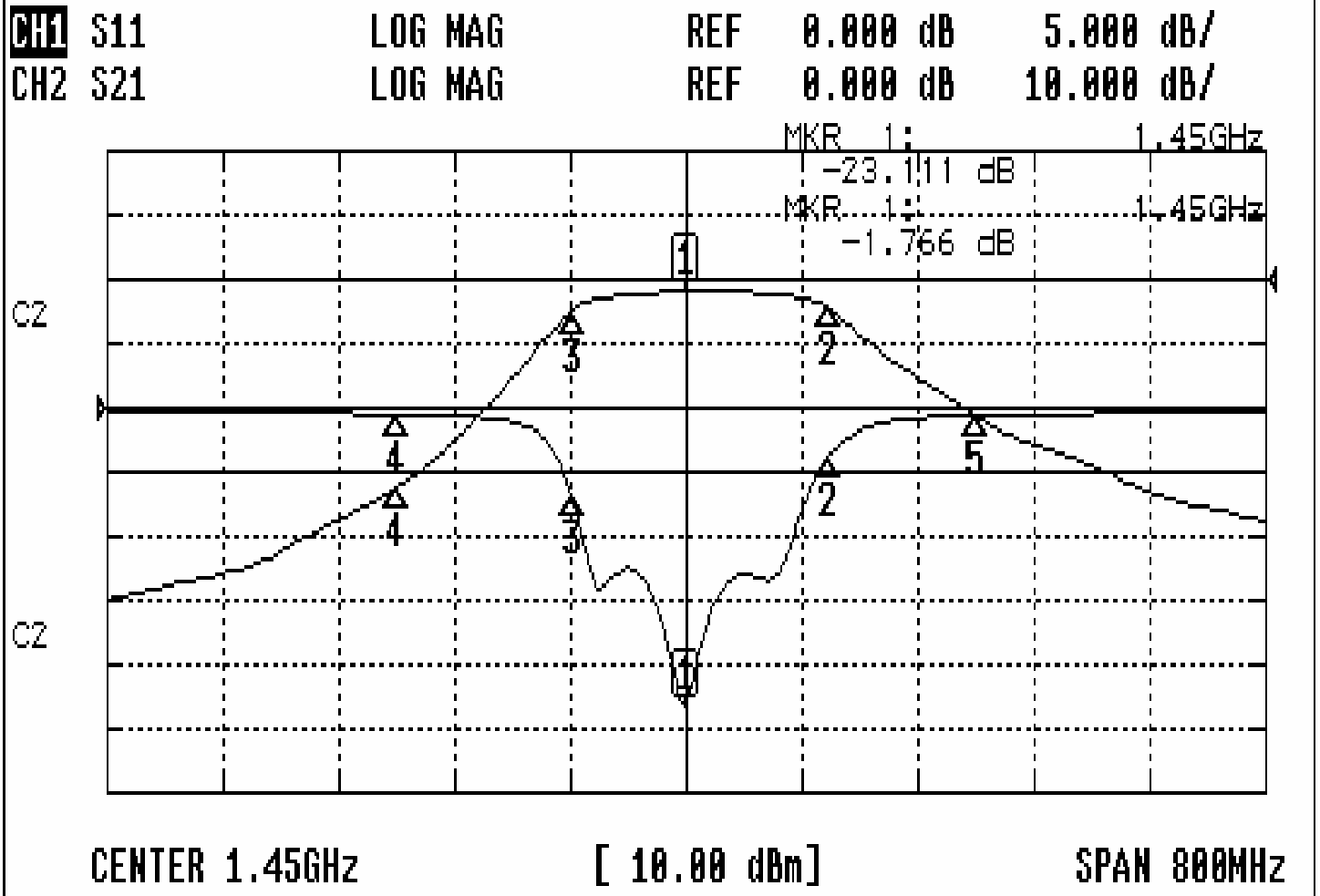


Approval	Supervisor	Designer	Aperture size
C.Y. Chang	C.S. Chang	P.H. Chiang	5W3(3.8*5.1)(5.12) 5HW046RB4
TEMWELL		CORPORATION	

TEMWELL RP(PH)

Performance-TTW3842B-1450M

0604028DC



CH1 MARKER LIST

Marker	Freq (GHz)	Magnitude (dB)
1	1.450 000	-23.111
2	1.548 666	-3.872
3	1.371 333	-6.880
4	1.250 000	-0.493
5	1.650 000	-0.547

CH2 MARKER LIST

Marker	Freq (GHz)	Magnitude (dB)
1	1.450 000	-1.766
2	1.548 666	-4.707
3	1.371 333	-4.820
4	1.250 000	-32.488
5	1.650 000	-21.213