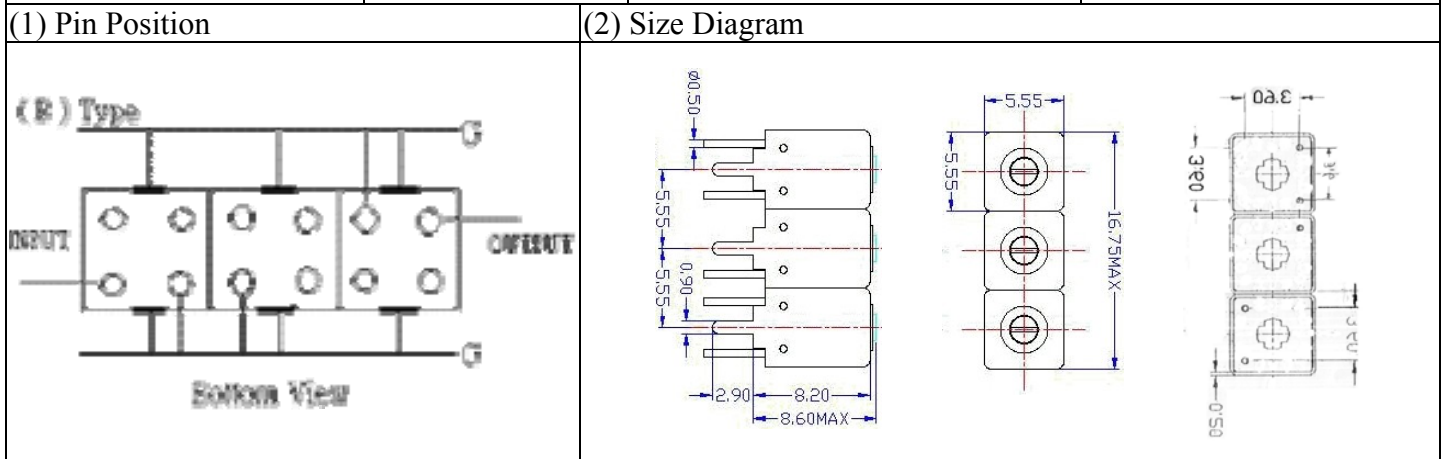


# VHF UHF Helical Filter Specification Sheet

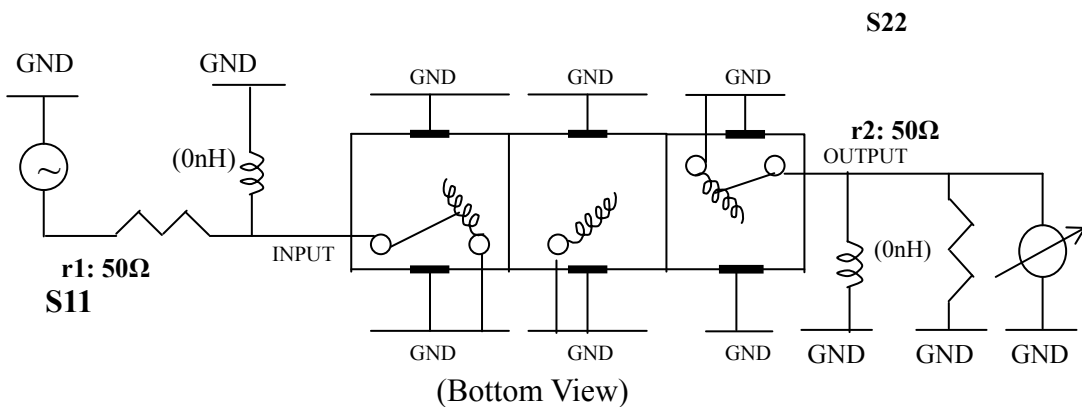
Customer Name		Temwell's Part No.	TTW3841B-2500M
Approval No. /dated	0603076APR	Acceptable Specify Fo Range	2451-2500M
Work Instruction No.	0603076DC	Date	Mar.30.2006



Item		Specify		Performance	
Center Freq. (Fo) +/- 0.5 %		2500	MHz	2500	MHz
Tunable Range:		2500±5	MHz	2500±5	MHz
Insertion Loss		Typ. 3.0	dB	1.78	dB
-3 dB Bandwidth		Typ. 183	MHz	203.5	MHz
Sensitivity (Attenuation)	Fo - 300 MHz	Typ. 33	dBc	36	dBc
	Fo + 300 MHz	Typ. 20	dBc	23	dBc
	Fo - ( )MHz	Typ.	dBc		dBc
	Fo +( )MHz	Typ.	dBc		dBc
Return Loss		Min. 12	dB	21.5	dB
Ripple		< 1	dB		dB
Impedance		In / Out: 50 Ω		In / Out: 50 Ω	

(4) Torque for Tuning Screw	> 60gf · cm
(5) Temperature Condition:	
Operating Temperature	0°C ~ +60°C
Storage Temperature	-20°C ~ +70°C
(6) Input Power	> 0.5Watt

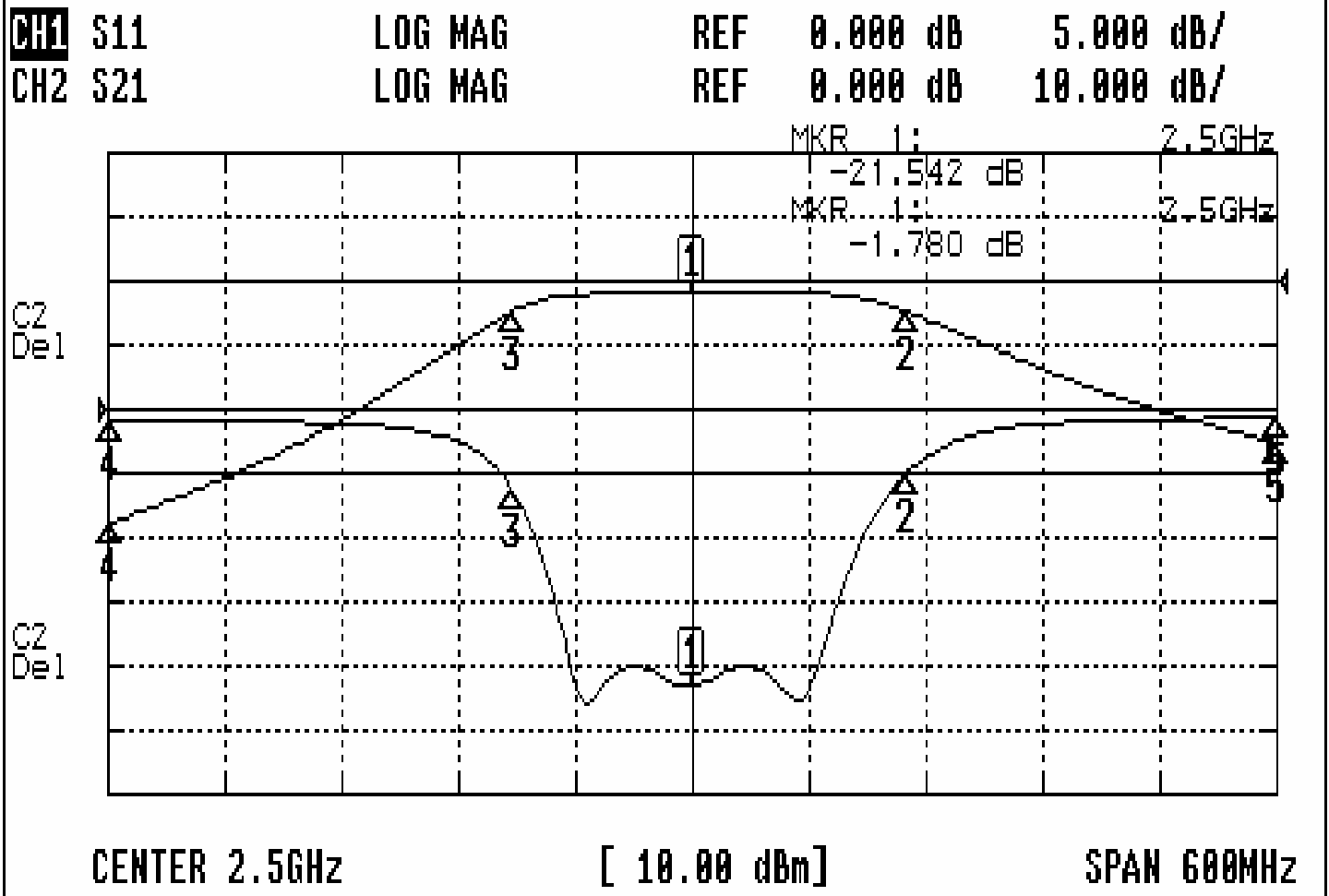
(7) Measuring Circuit: ※Easy to match Impedance S11/S22 50Ω by parallel with about(0nH) / (0nH).



Approval	Supervisor	Designer	Aperture size
C.Y. Chang	C.S. Chang	C.S. Chang	5W3S(3.8*5.1)(5.12) 5HW046RB3.2
TEMWELL CORPORATION			

# Performance-TTW3841B-2500M

## 0603076DC



### CH1 MARKER LIST

1:	2.500	000GHz	-21.542	dB
2:	2.610	500GHz	-4.911	dB
3:	2.407	000GHz	-6.053	dB
4:	2.200	000GHz	-0.767	dB
5:	2.800	000GHz	-0.691	dB

### CH2 MARKER LIST

1:	2.500	000GHz	-1.780	dB
2:	2.610	500GHz	-4.697	dB
3:	2.407	000GHz	-4.736	dB
4:	2.200	000GHz	-37.708	dB
5:	2.800	000GHz	-25.093	dB