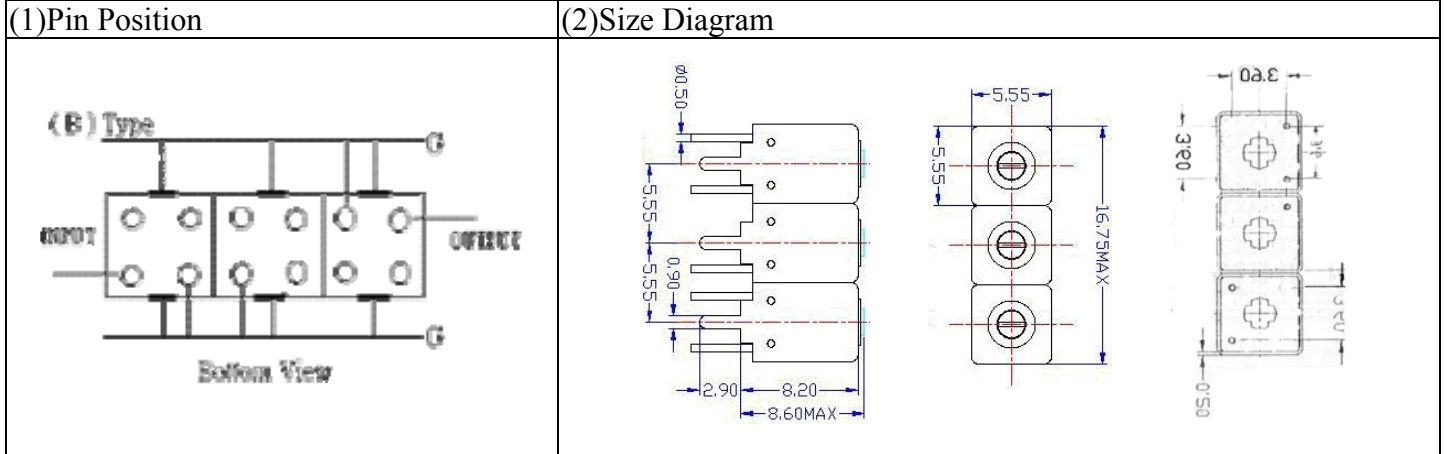


VHF UHF Helical Filter Specification Sheet

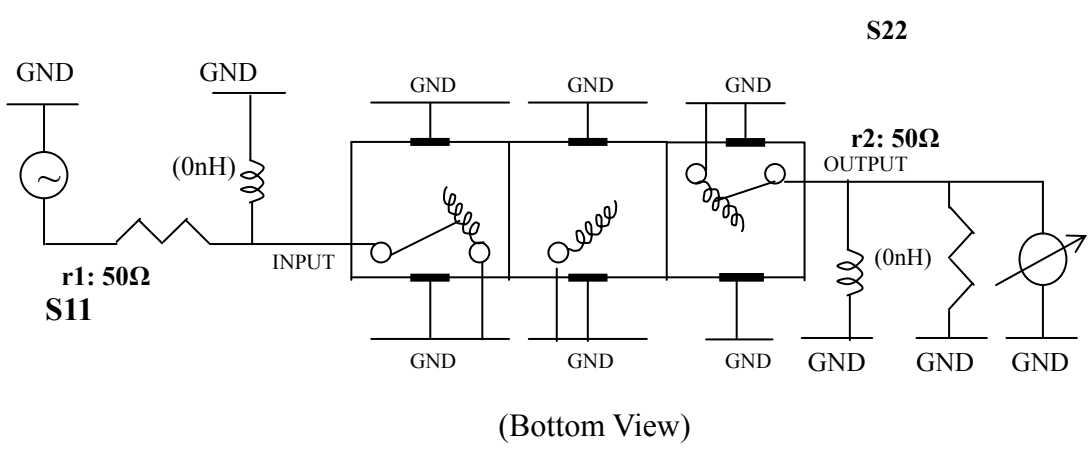
| | | | |
|----------------------|------------|----------------------|----------------|
| Customer Name | | Temwell's Part No. | TTW3840B-2450M |
| Approval No. /dated | 0604030APR | Temwell,s print mane | 3840B 2450M |
| Work Instruction No. | 0604030B | Date | Apr.25.2006 |



| Item | | Specify | | Performance | |
|------------------------------|--------------|-----------------|---------|-----------------|-----|
| Center Freq.(Fo) +/- 0.5 % | | 2450 MHz | | 2450 MHz | |
| Tunable Range: | | 2450±5 MHz | | 2450±5 MHz | |
| Insertion Loss | | Typ. | 3.0 dB | 1.77 | dB |
| -3 dB Bandwidth | | Typ. | 168 MHz | 189 | MHz |
| Sensitivity (Attenuation) | Fo - 300 MHz | Typ. | 35 dBc | 38 | dBc |
| | Fo + 300 MHz | Typ. | 23 dBc | 24 | dBc |
| | Fo - ()MHz | Typ. | dBc | | dBc |
| | Fo +()MHz | Typ. | dBc | | dBc |
| Return Loss | | Min. | 12 dB | 24.0 | dB |
| Ripple | | < 1 dB | | dB | |
| Impedance | | In / Out : 50 Ω | | In / Out : 50 Ω | |

| | |
|----------------------------|---------------|
| (4)Torque for Tuning Screw | > 60gf · cm |
| (5)Temperature Condition: | |
| Operating Temperature | 0°C ~ +60°C |
| Storage Temperature | -20°C ~ +70°C |
| (6)Input Power | > 0.5Watt |

(7)Measuring Circuit: ※Easy to match Impedance S11/S22 50Ω by parallel with about(0nH) / (0nH).



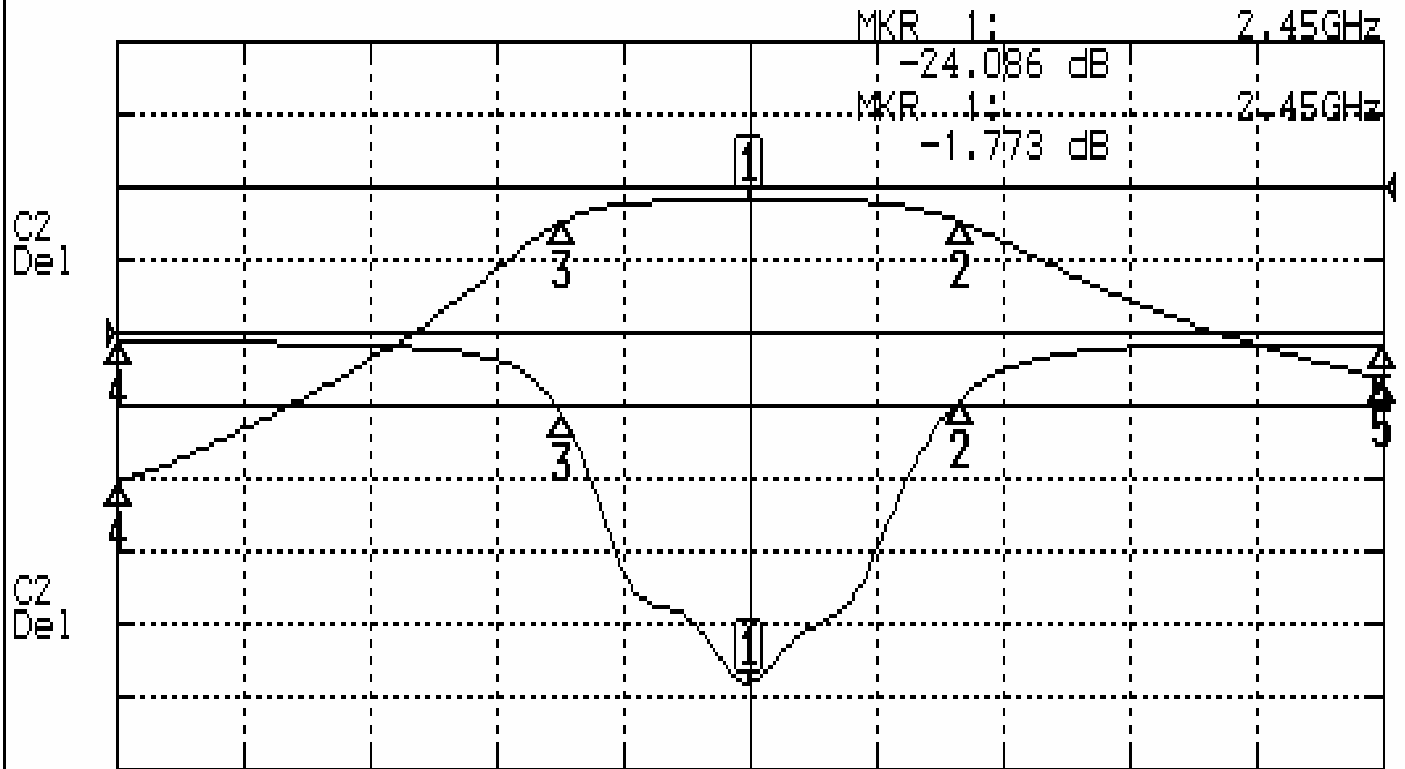
| | | | |
|------------|------------|------------|------------------------------------|
| Approval | Supervisor | Designer | Aperture size |
| C.Y. Chang | C.S. Chang | C.S. Chang | 5W3S(3.8*5.1)(5.14) 5HW046RB3.2 |

TEMWELL CORPORATION

Performance-TTW3840B-2450M

0604030B

CH1 S11 LOG MAG REF 0.000 dB 5.000 dB/
CH2 S21 LOG MAG REF 0.000 dB 10.000 dB/



CENTER 2.45GHz

[10.00 dBm]

SPAN 600MHz

CH1 MARKER LIST

| Marker | Freq (GHz) | Magnitude (dB) |
|--------|------------|----------------|
| 1 | 2.450 000 | -24.066 |
| 2 | 2.550 000 | -4.559 |
| 3 | 2.361 000 | -5.659 |
| 4 | 2.150 000 | -0.632 |
| 5 | 2.750 000 | -0.752 |

CH2 MARKER LIST

| Marker | Freq (GHz) | Magnitude (dB) |
|--------|------------|----------------|
| 1 | 2.450 000 | -1.773 |
| 2 | 2.550 000 | -4.794 |
| 3 | 2.361 000 | -4.807 |
| 4 | 2.150 000 | -40.669 |
| 5 | 2.750 000 | -26.223 |