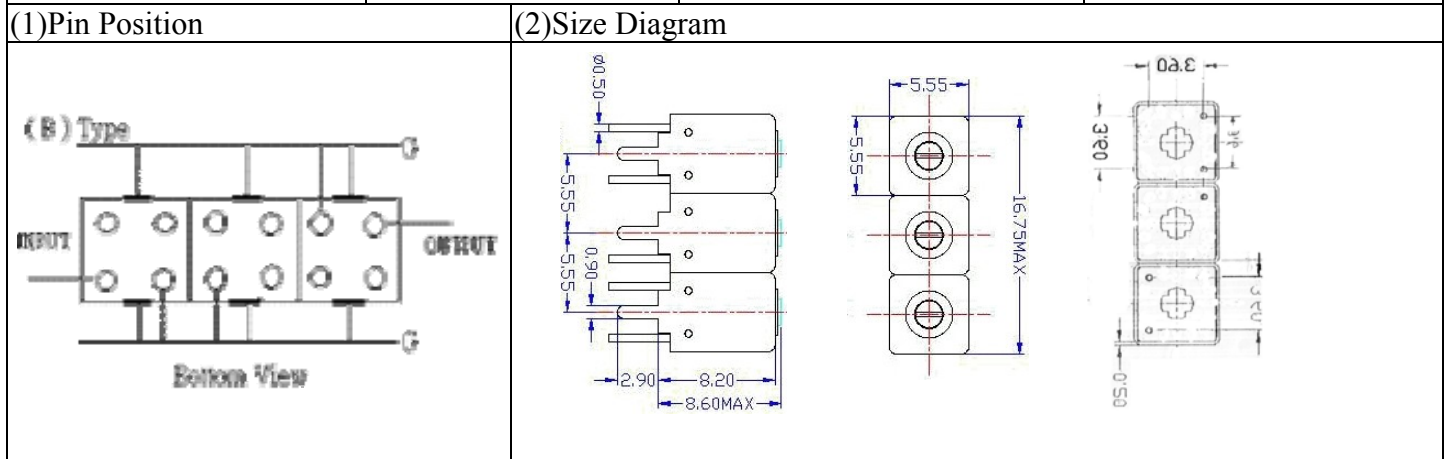


VHF UHF Helical Filter Specification Sheet

Customer Name		Temwell's Part No.	TTW3839B-2400M
Approval No. /dated	0603074APR	Acceptable Specify Fo Range	2351-2400M
Work Instruction No.	0603074DC	Date	Mar.30.2006

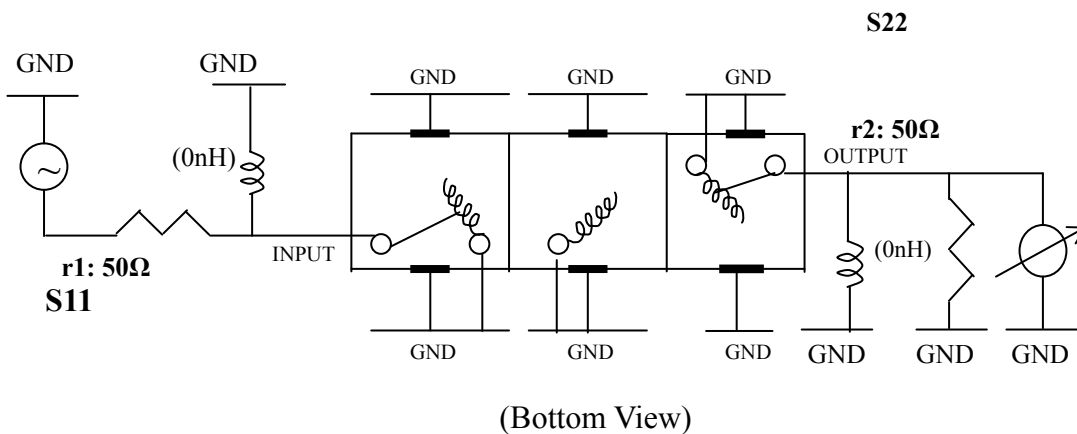


(3) Electric Character		Item	Specify	Performance
Center Freq.(Fo) +/- 0.5 %			2400 MHz	2400 MHz
Tunable Range:			2400±5 MHz	2400±5 MHz
Insertion Loss		Typ.	3.0 dB	1.93 dB
-3 dB Bandwidth		Typ.	173 MHz	192.5 MHz
Sensitivity (Attenuation)	Fo - 300 MHz	Typ.	37 dBc	40 dBc
	Fo + 300 MHz	Typ.	23 dBc	26 dBc
	Fo - ()MHz	Typ.	dBc	dBc
	Fo +()MHz	Typ.	dBc	dBc
Return Loss		Min.	12 dB	27.7 dB
Ripple			< 1 dB	dB
Impedance			In / Out : 50 Ω	In / Out : 50 Ω
(4) Torque for Tuning Screw			> 60gf · cm	

(5) Temperature Condition:	
Operating Temperature	0°C ~ +60°C
Storage Temperature	-20°C ~ +70°C

(6) Input Power	> 0.5Watt
-----------------	-----------

(7) Measuring Circuit: ※Easy to match Impedance S11/S22 50Ω by parallel with about(0nH) / (0nH).



Approval	Supervisor	Designer	Aperture size
C.Y. Chang	C.S. Chang	C.S. Chang	5W3S(3.8*5.1)(5.13) 5HW046RB3.2

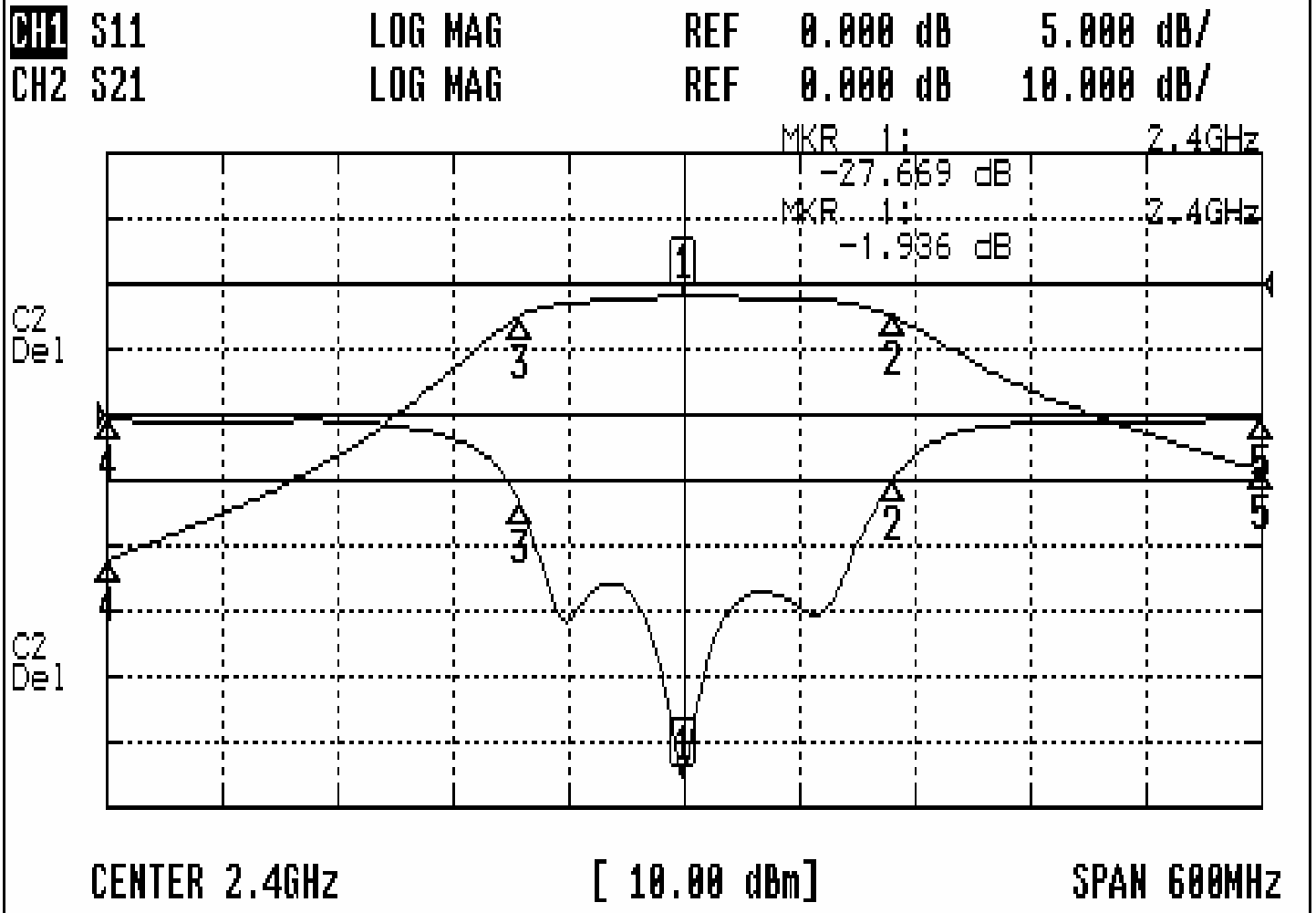
TEMWELL CORPORATION

TEMWELL

Form BP:C.S.Chang

Performance-TTW3839B-2400M

0603074DC



CH1 MARKER LIST

1:	2.400	000GHz	-27.705	dB
2:	2.508	000GHz	-5.088	dB
3:	2.315	500GHz	-6.884	dB
4:	2.100	000GHz	-0.346	dB
5:	2.700	000GHz	-0.344	dB

CH2 MARKER LIST

1:	2.400	000GHz	-1.936	dB
2:	2.508	000GHz	-4.920	dB
3:	2.315	500GHz	-4.922	dB
4:	2.100	000GHz	-42.236	dB
5:	2.700	000GHz	-28.388	dB