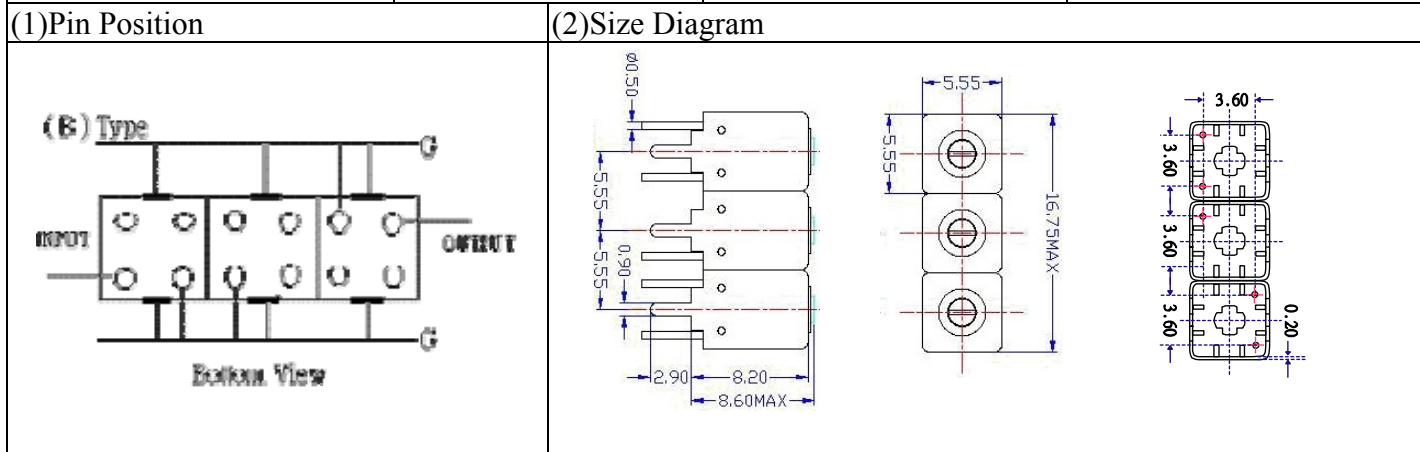
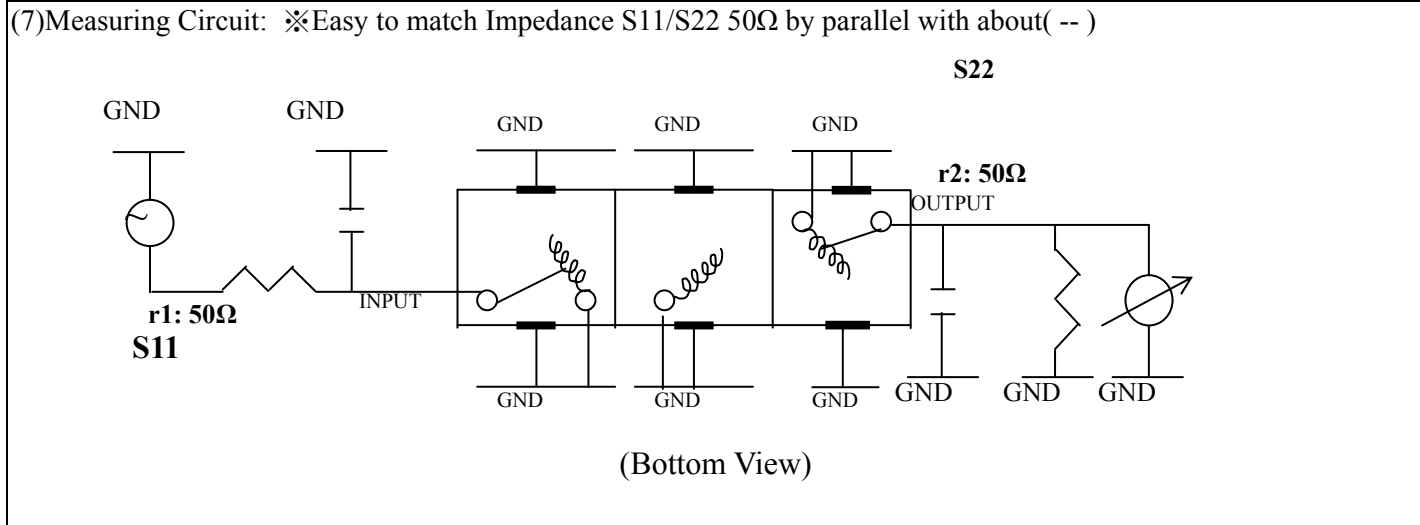


# VHF UHF Helical Filter Specification Sheet

Customer Name		Temwell's Part No.	TTW3836B-2400M
Approval No. /dated	201407154CD	Temwell's Print Name.	3836B 2400M
Work Instruction No.	201407154CD	Date	Jan.15.2015



(3) Electric Character			
Item	Specify	Performance	
Center Freq.(Fo) +/- 0.5 %	2400 MHz	2400	MHz
Insertion Loss	Typ. 3.0 dB	1.78	dB
-3 dB Bandwidth	Typ. 170 MHz	187.6	MHz
Sensitivity (Attenuation)	Fo - 300 MHz	Typ. 36	dBc
	Fo + 300 MHz	Typ. 21	dBc
	Fo - ( )MHz	Typ.	dBc
	Fo +( )MHz	Typ.	dBc
Return Loss	Min. 12 dB	22.1	dB
Ripple	< 1 dB		dB
Impedance	In / Out : 50 Ω	In / Out : 50 Ω	
(4) Torque for Tuning Screw		> 60gf • cm	
(5) Temperature Condition:			
Operating Temperature		0°C ~ +60°C	
Storage Temperature		-20°C ~ +70°C	
(6) Input Power		> 0.5Watt	

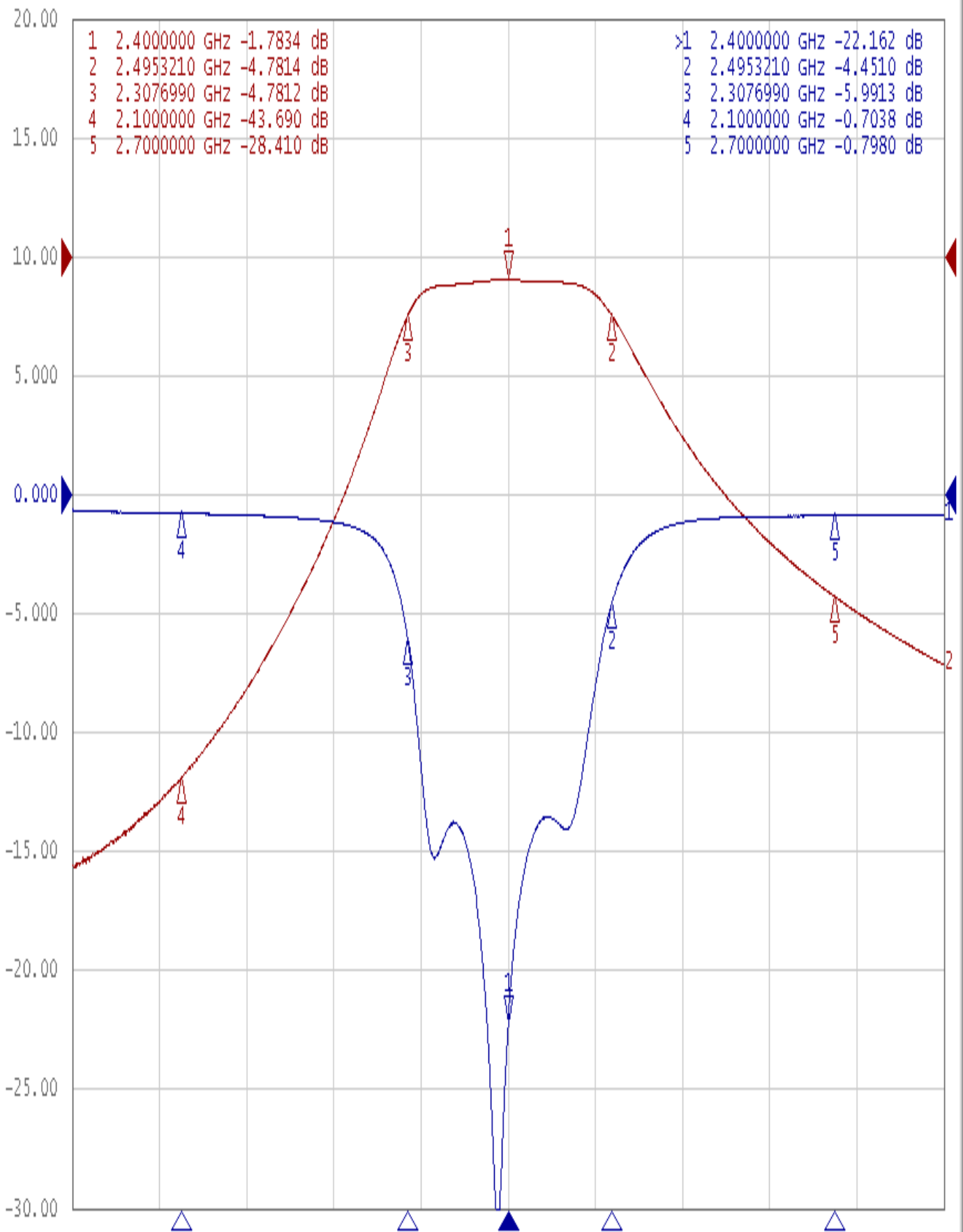


Approval C.Y.Chang	Supervisor C.K.Chang	Designer C.S.Chang	Aperture size 5W3S(3.8*5.1)(5.12) 5HW046RB3.2(J1)
-----------------------	-------------------------	-----------------------	---

# Performance-TTW3836B-2400M

## 201407154CD

Tr1 S11 Log Mag 5.000dB/ Ref 0.000dB [F2]  
Tr2 S21 Log Mag 10.00dB/ Ref 0.000dB [F2]



1 Center 2.4 GHz

IFBW 10 kHz

Span 800 MHz Cor