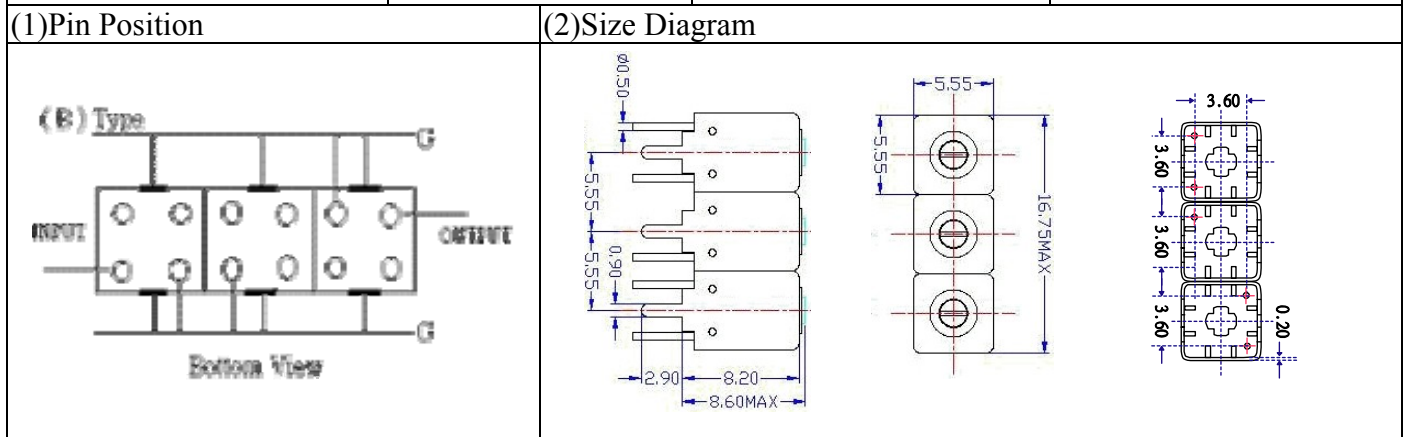
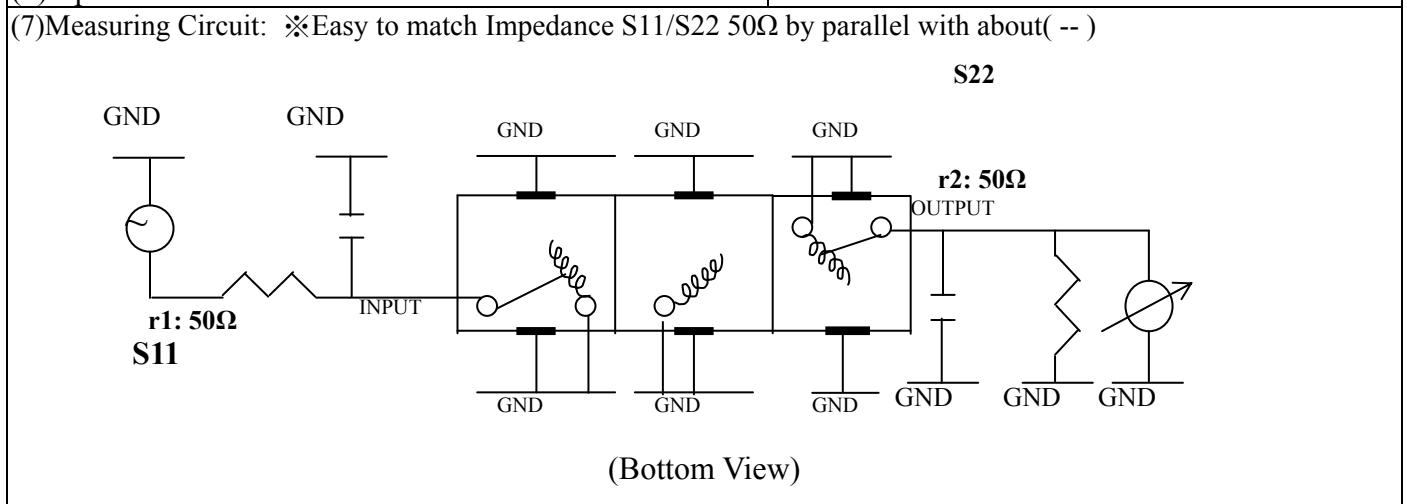


VHF UHF Helical Filter Specification Sheet

| | | | |
|----------------------|-------------|-----------------------|----------------|
| Customer Name | | Temwell's Part No. | TTW3833B-1795M |
| Approval No. /dated | 201407139CD | Temwell's Print Name. | 3833B 1795M |
| Work Instruction No. | 201407139CD | Date | Dec.12.2014 |



| | | | |
|------------------------------|--------------|-----------------|-----------------|
| (3) Electric Character | | | |
| Item | | Specify | Performance |
| Center Freq.(Fo) +/- 0.5 % | | 1795 MHz | 1795 MHz |
| Insertion Loss | | Typ. 2.5 dB | 1.42 dB |
| -3 dB Bandwidth | | Typ. 100 MHz | 118.6 MHz |
| Sensitivity (Attenuation) | Fo - 200 MHz | Typ. 33 dBc | 36 dBc |
| | Fo + 200 MHz | Typ. 18 dBc | 23 dBc |
| | Fo - ()MHz | Typ. dBc | dBc |
| | Fo +()MHz | Typ. dBc | dBc |
| Return Loss | | Min. 12 dB | 17.7 dB |
| Ripple | | < 1 dB | dB |
| Impedance | | In / Out : 50 Ω | In / Out : 50 Ω |
| (4) Torque for Tuning Screw | | > 60gf • cm | |
| (5) Temperature Condition: | | | |
| Operating Temperature | | 0°C ~ +60°C | |
| Storage Temperature | | -20°C ~ +70°C | |
| (6) Input Power | | > 0.5Watt | |



| | | | |
|-----------|------------|-----------|------------------------------------|
| Approval | Supervisor | Designer | Aperture size |
| C.Y.Chang | C.K.Chang | C.S.Chang | 5W3S(3.8*5.1)(5.12) 5HW046RB3.2 |

TEMWELL CORPORATION

Performance-TTW3833B-1795M

201407139CD

