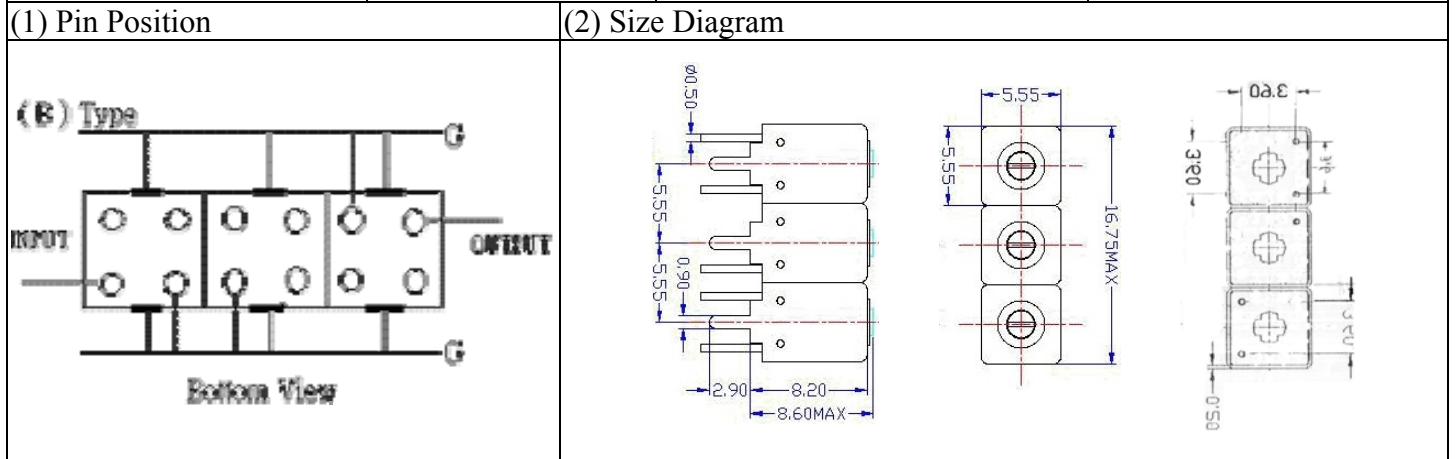


# VHF UHF Helical Filter Specification Sheet

|                      |            |                             |                |
|----------------------|------------|-----------------------------|----------------|
| Customer Name        |            | Temwell's Part No.          | TTW3824B-1625M |
| Approval No. /dated  | 0512078APR | Acceptable Specify Fo Range | 1601-1650 MHz  |
| Work Instruction No. | 0512078DC  | Date                        | Jan.21.2006    |



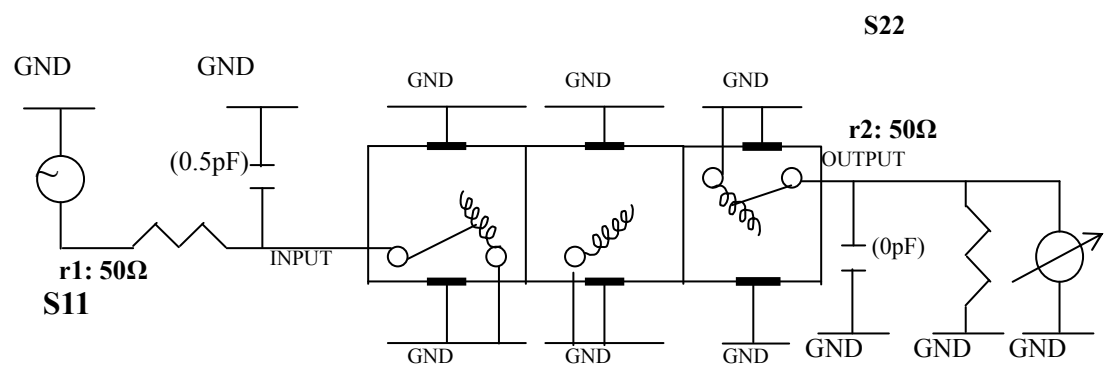
| (3) Electric Character      |              | Item | Specify         | Performance     |
|-----------------------------|--------------|------|-----------------|-----------------|
| Center Freq. (Fo) +/- 0.5 % |              |      | 1625 MHz        | 1625 MHz        |
| Tunable Range:              |              |      | 1625±10 MHz     | 1625±10 MHz     |
| Insertion Loss              |              | Typ. | 4.5 dB          | 3.35 dB         |
| -3 dB Bandwidth             |              | Typ. | 40 MHz          | 56.8 MHz        |
| Sensitivity (Attenuation)   | Fo - 100 MHz | Typ. | 31 dBc          | 34 dBc          |
|                             | Fo + 100 MHz | Typ. | 19 dBc          | 22 dBc          |
|                             | Fo - ( )MHz  | Typ. | dBc             | dBc             |
|                             | Fo +( )MHz   | Typ. | dBc             | dBc             |
| Return Loss                 |              | Min. | 12 dB           | 17.8 dB         |
| Ripple                      |              |      | < 1 dB          | dB              |
| Impedance                   |              |      | In / Out : 50 Ω | In / Out : 50 Ω |

(4) Torque for Tuning Screw > 60gf • cm

(5) Temperature Condition:  
 Operating Temperature -30°C ~ +70°C  
 Storage Temperature -30°C ~ +80°C

(6) Input Power > 0.5Watt

(7)Measuring Circuit: ※Easy to match Impedance S11/S22 50Ω by parallel with about(0.5pF) / (0pF).



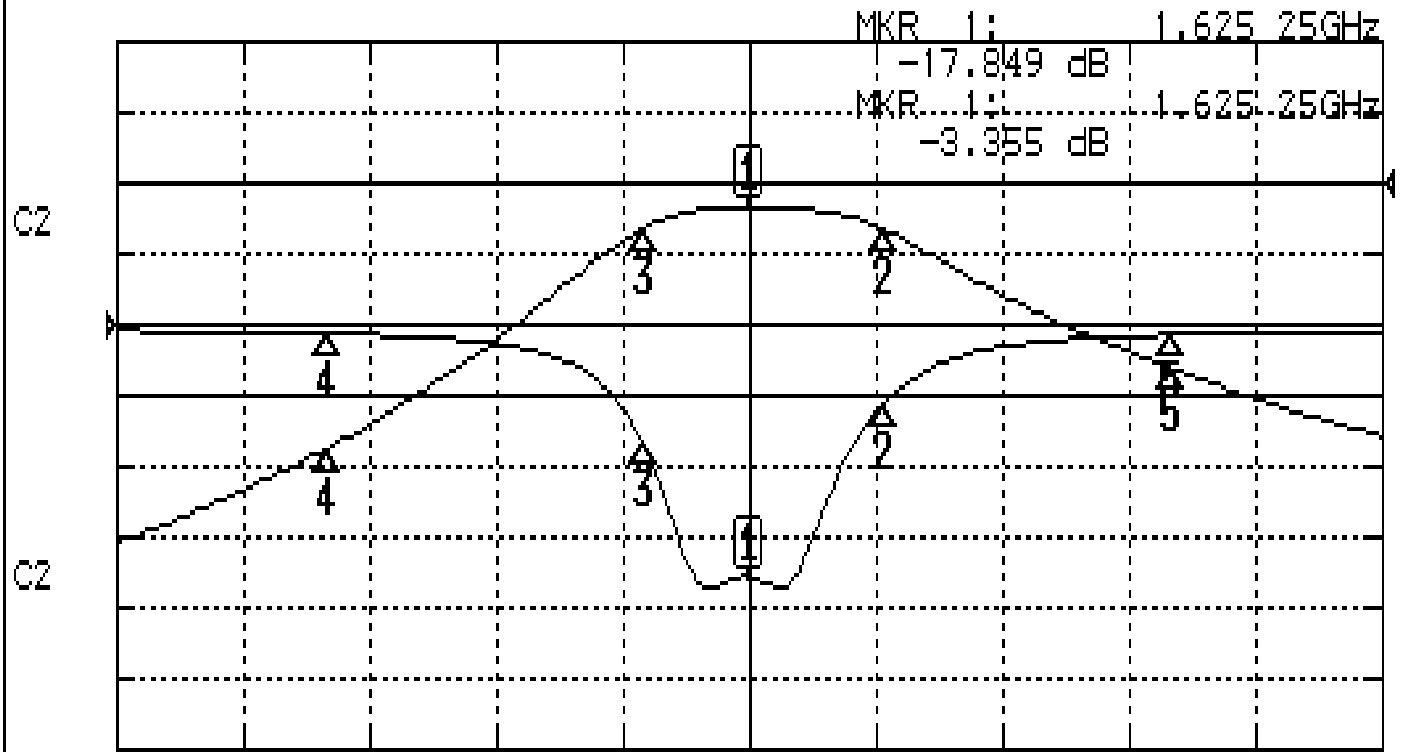
(Bottom View)

|            |            |            |                     |
|------------|------------|------------|---------------------|
| Approval   | Supervisor | Designer   | Aperture size       |
| C.Y. Chang | C.S. Chang | C.S. Chang | 5W3, 3.8*4.0 (4.12) |

# Performance-TTW3824B-1625M

## 0512078DC

CH1 S11 LOG MAG REF 0.000 dB 5.000 dB/  
CH2 S21 LOG MAG REF 0.000 dB 10.000 dB/



CENTER 1.625GHz

[ 10.00 dBm ]

SPAN 300MHz

### CH1 MARKER LIST

|   |       |        |         |    |
|---|-------|--------|---------|----|
| 1 | 1.625 | 250GHz | -17.849 | dB |
| 2 | 1.656 | 500GHz | -5.626  | dB |
| 3 | 1.599 | 750GHz | -8.281  | dB |
| 4 | 1.525 | 000GHz | -0.629  | dB |
| 5 | 1.725 | 000GHz | -0.702  | dB |

### CH2 MARKER LIST

|   |       |        |         |    |
|---|-------|--------|---------|----|
| 1 | 1.625 | 250GHz | -3.353  | dB |
| 2 | 1.656 | 500GHz | -6.374  | dB |
| 3 | 1.599 | 750GHz | -6.383  | dB |
| 4 | 1.525 | 000GHz | -37.406 | dB |
| 5 | 1.725 | 000GHz | -26.084 | dB |