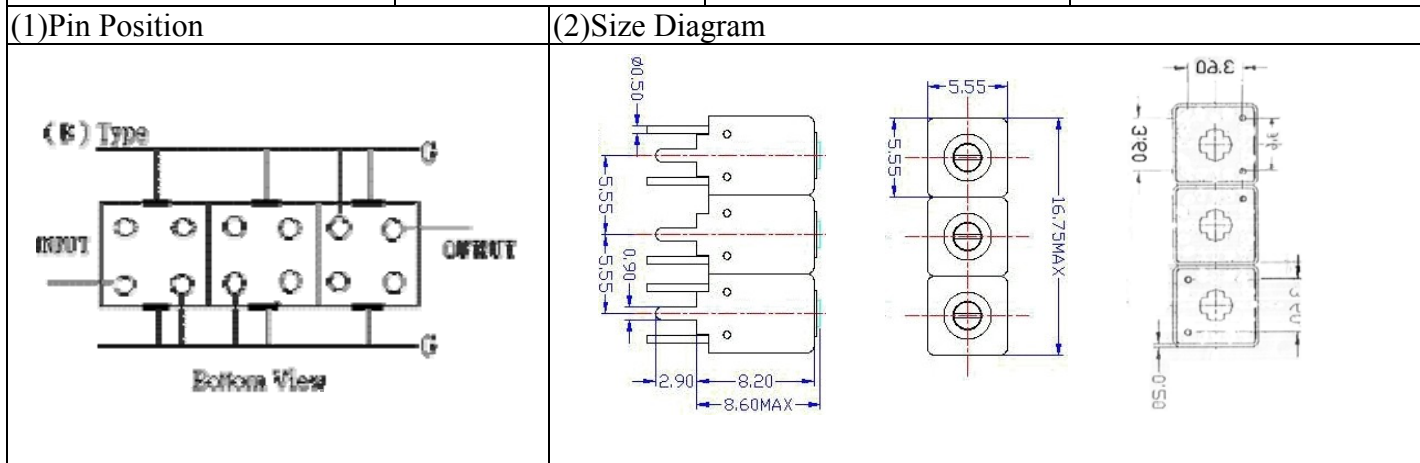


VHF UHF Helical Filter Specification Sheet

Customer Name		Temwell's Part No.	TTW3821B-1625M-30M
Approval No. /dated	0512075APR	Acceptable Specify Fo Range	1601-1650 MHz
Work Instruction No.	0512075DC	Date	Jan.25.2006



(3) Electric Character

Item	Specify	Performance	
Center Freq.(Fo) +/- 0.5 %	1625 MHz	1625 MHz	
Tunable Range:	1625±10 MHz	1625±10 MHz	
Insertion Loss	Typ. 4.0 dB	2.73 dB	
-3 dB Bandwidth	Typ. 30 MHz	47.3 MHz	
Sensitivity (Attenuation)	Fo - 100 MHz	Typ. 38 dBc	41 dBc
	Fo + 100 MHz	Typ. 23 dBc	26 dBc
	Fo - ()MHz	Typ. dBc	dBc
	Fo +()MHz	Typ. dBc	dBc
Return Loss	Min. 12 dB	21.2 dB	
Ripple	< 1 dB	dB	
Impedance	In / Out : 50 Ω	In / Out : 50 Ω	

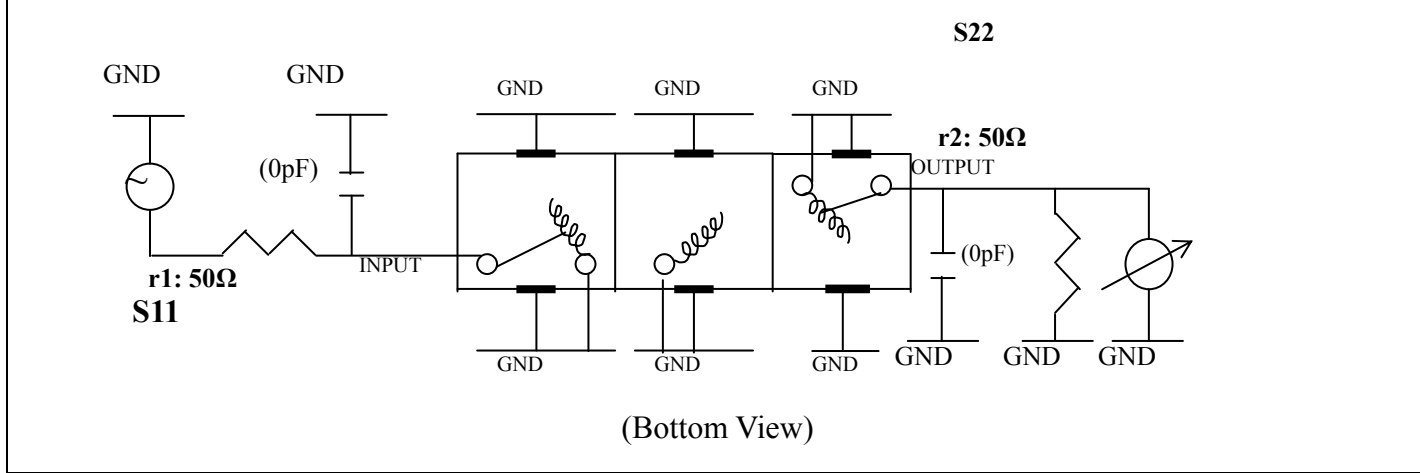
(4) Torque for Tuning Screw > 60gf · cm

(5) Temperature Condition:

Operating Temperature	-30°C ~ +70°C
Storage Temperature	-30°C ~ +80°C

(6) Input Power > 0.5Watt

(7) Measuring Circuit: ※Easy to match Impedance S11/S22 50Ω by parallel with about(0pF) / (0pF).

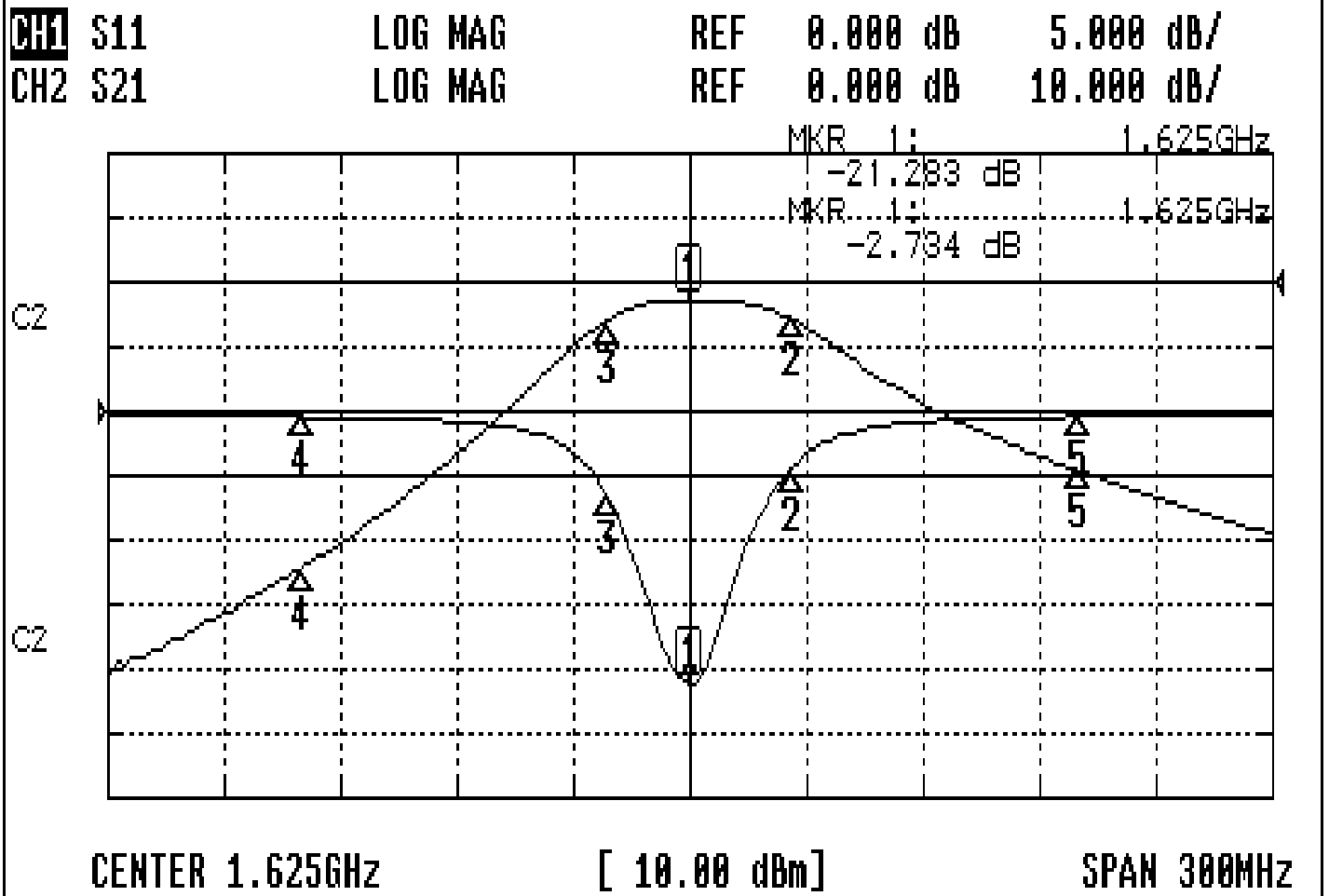


Approval C.Y.Chang	Supervisor C.S.Chang	Designer C.S.Chang	Aperture size 5W3, 3.8*4.0 (4.10)
-----------------------	-------------------------	-----------------------	--------------------------------------

TEMWELL CORPORATION

Performance-TTW3821B-1625M-30M

0512075DC



CH1 MARKER LIST

1:	1.625 000GHz	-21.274 dB
2:	1.651 000GHz	-4.450 dB
3:	1.603 750GHz	-6.491 dB
4:	1.525 000GHz	-0.443 dB
5:	1.725 000GHz	-0.430 dB

CH2 MARKER LIST

1:	1.625 000GHz	-2.734 dB
2:	1.651 000GHz	-5.716 dB
3:	1.603 750GHz	-5.768 dB
4:	1.525 000GHz	-44.218 dB
5:	1.725 000GHz	-29.177 dB