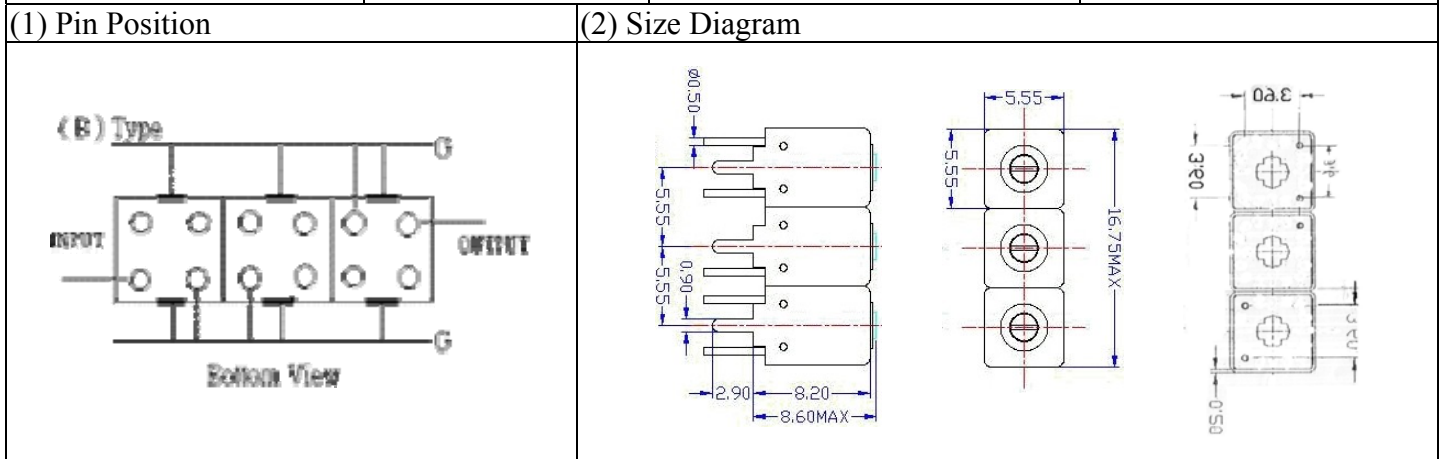


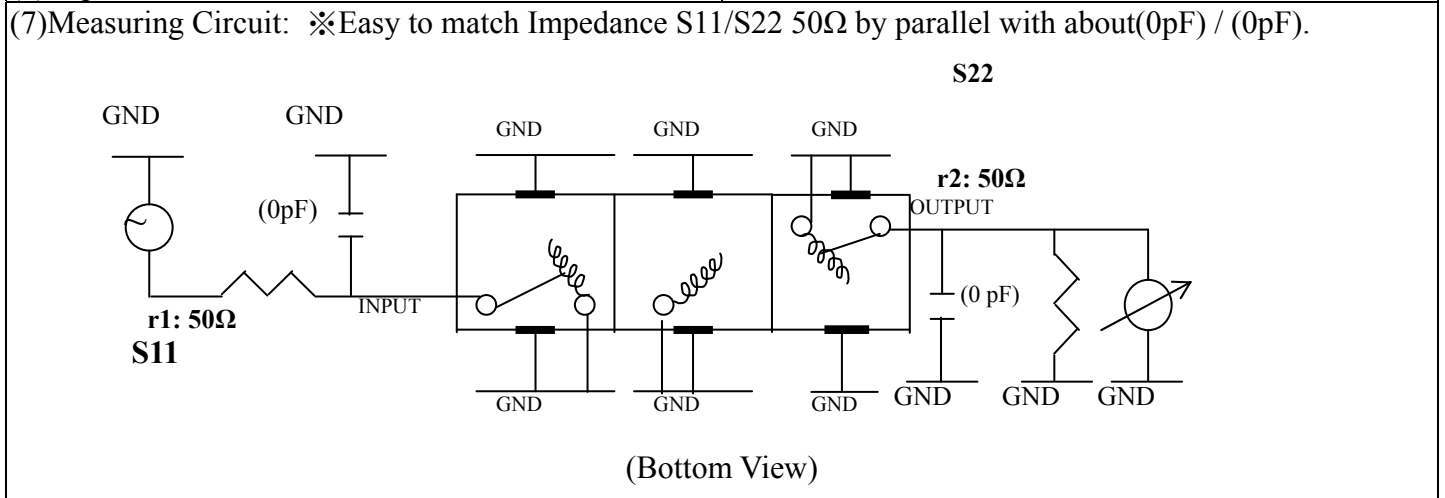
# VHF UHF Helical Filter Specification Sheet

|                      |            |                             |                |
|----------------------|------------|-----------------------------|----------------|
| Customer Name        |            | Temwell's Part No.          | TTW3817B-1725M |
| Approval No. /dated  | 0512071APR | Acceptable Specify Fo Range | 1701-1750 MHz  |
| Work Instruction No. | 0512071DC  | Date                        | Jan.19.2006    |



| (3) Electric Character      |                 |         |                 |
|-----------------------------|-----------------|---------|-----------------|
| Item                        | Specify         |         | Performance     |
| Center Freq. (Fo) +/- 0.5 % | 1725            | MHz     | 1725 MHz        |
| Tunable Range:              | 1725±5          | MHz     | 1725±5 MHz      |
| Insertion Loss              | Typ. 3.5        | dB      | 2.36 dB         |
| -3 dB Bandwidth             | Typ. 70         | MHz     | 82.3 MHz        |
| Sensitivity (Attenuation)   | Fo - 150 MHz    | Typ. 38 | dBc             |
|                             | Fo + 150 MHz    | Typ. 24 | dBc             |
|                             | Fo - ( )MHz     | Typ.    | dBc             |
|                             | Fo +( )MHz      | Typ.    | dBc             |
| Return Loss                 | Min. 12         | dB      | 20.8 dB         |
| Ripple                      | < 1             | dB      | dB              |
| Impedance                   | In / Out : 50 Ω |         | In / Out : 50 Ω |

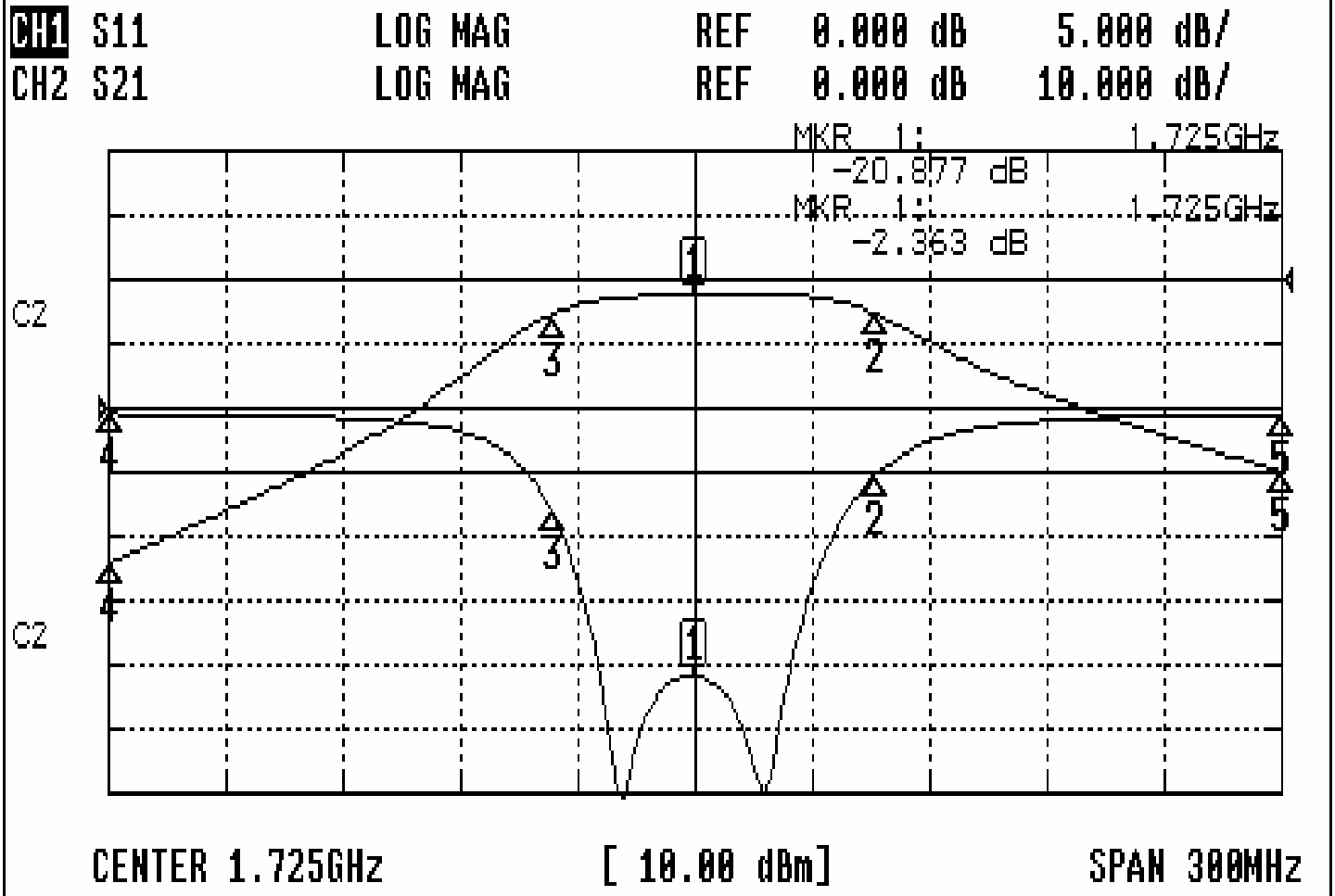
|                             |               |             |
|-----------------------------|---------------|-------------|
| (4) Torque for Tuning Screw |               | > 60gf · cm |
| (5) Temperature Condition:  |               |             |
| Operating Temperature       | 0°C ~ +60°C   |             |
| Storage Temperature         | -20°C ~ +70°C |             |
| (6) Input Power             | > 0.5Watt     |             |



|            |            |            |                                    |
|------------|------------|------------|------------------------------------|
| Approval   | Supervisor | Designer   | Aperture size                      |
| C.Y. Chang | C.S. Chang | C.S. Chang | 5W3, 3.8*4.0 (4.25)<br>5HW046RB3.2 |

# Performance-TTW3817B-1725M

## 0512071DC



### CH1 MARKER LIST

|    |       |        |         |    |
|----|-------|--------|---------|----|
| 1: | 1.725 | 000GHz | -20.877 | dB |
| 2: | 1.771 | 000GHz | -5.291  | dB |
| 3: | 1.688 | 750GHz | -8.157  | dB |
| 4: | 1.575 | 000GHz | -0.432  | dB |
|    | 1.875 | 000GHz | -0.483  | dB |

### CH2 MARKER LIST

|    |       |        |         |    |
|----|-------|--------|---------|----|
| 1: | 1.725 | 000GHz | -2.363  | dB |
| 2: | 1.771 | 000GHz | -5.351  | dB |
| 3: | 1.688 | 750GHz | -5.338  | dB |
| 4: | 1.575 | 000GHz | -43.924 | dB |
|    | 1.875 | 000GHz | -29.742 | dB |