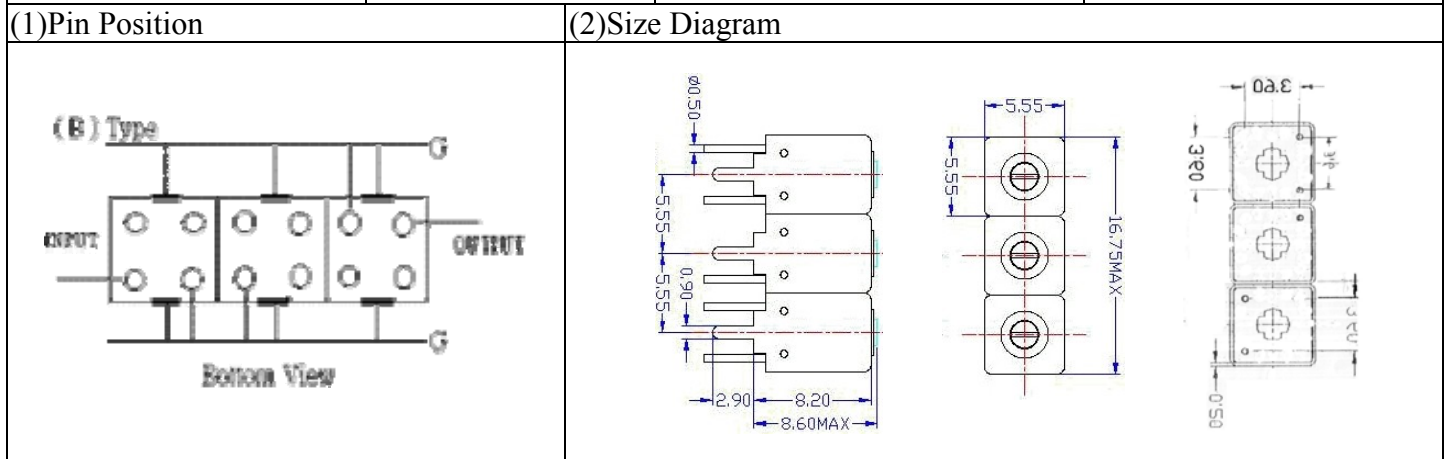


# VHF UHF Helical Filter Specification Sheet

Customer Name		Temwell's Part No.	TTW3810B-1375M
Approval No. /dated	0512064APR	Acceptable Specify Fo Range	1351-1400 MHz
Work Instruction No.	0512064DC	Date	Jan.24.2006

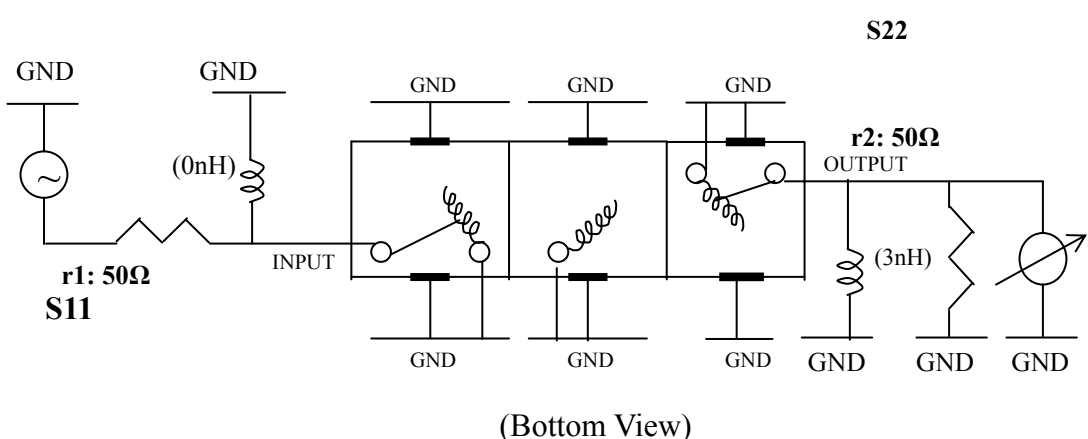


Item		Specify		Performance	
Center Freq.(Fo ) +/- 0.5 %		1375	MHz	1375	MHz
Tunable Range:		1375±5	MHz	1375±5	MHz
Insertion Loss		Typ. 2.5	dB	1.34	dB
-3 dB Bandwidth		Typ. 70	MHz	83.7	MHz
Sensitivity (Attenuation)	Fo - 150 MHz	Typ. 29	dBc	32	dBc
	Fo + 150 MHz	Typ. 17	dBc	20	dBc
	Fo - ( )MHz	Typ.	dBc		dBc
	Fo +( )MHz	Typ.	dBc		dBc
Return Loss		Min. 12	dB	47.9	dB
Ripple		< 1	dB		dB
Impedance		In / Out : 50 Ω		In / Out : 50 Ω	
(4) Torque for Tuning Screw		> 60gf · cm			

(5) Temperature Condition:	
Operating Temperature	0°C ~ +60°C
Storage Temperature	-20°C ~ +70°C

(6) Input Power	> 0.5Watt
-----------------	-----------

(7) Measuring Circuit: ※Easy to match Impedance S11/S22 50Ω by parallel with about(0nH) / (3nH).

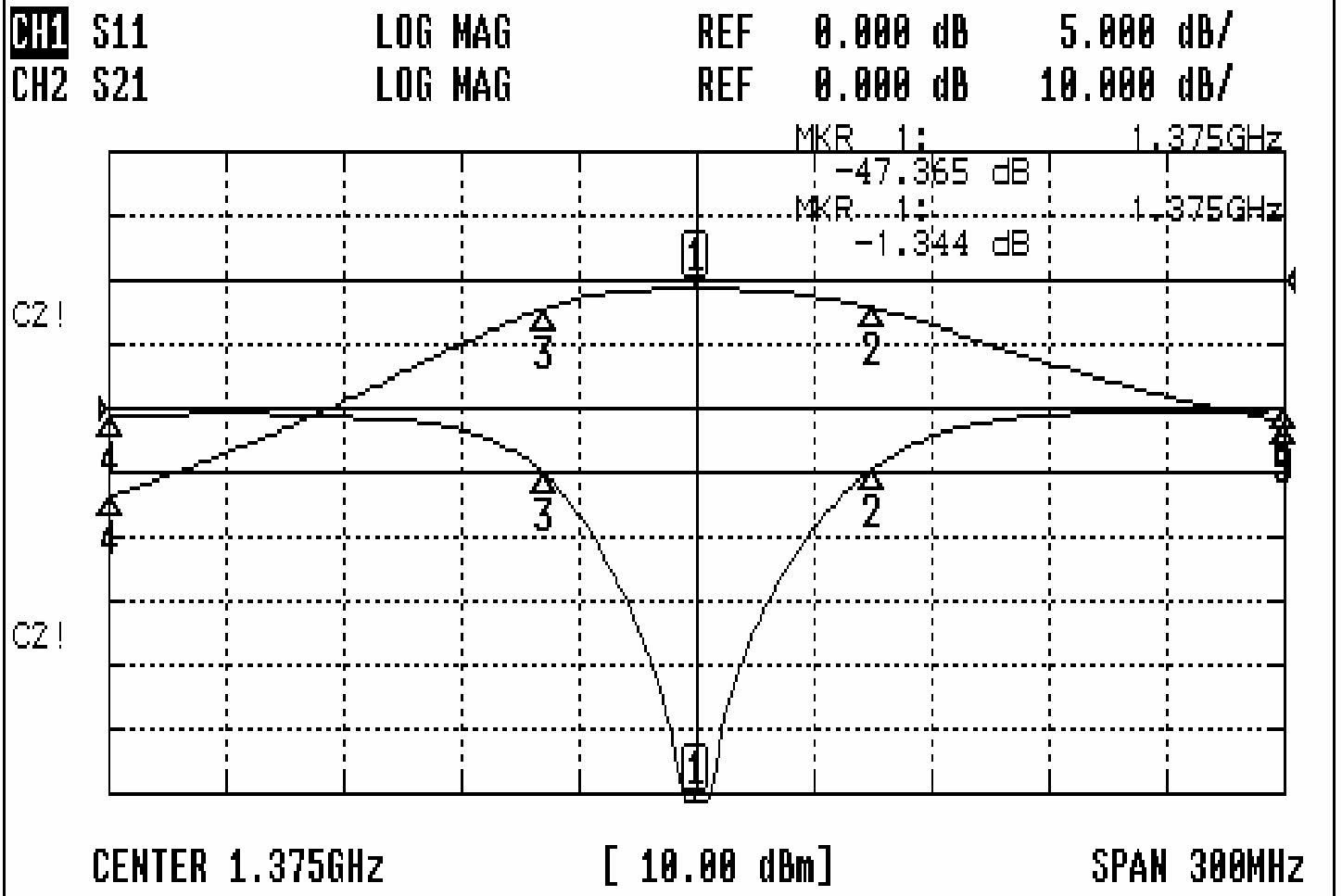


Approval	Supervisor	Designer	Aperture size
C.Y. Chang	C.S. Chang	C.S. Chang	5W3S(3.8*5.1)(5.14) 5HW046RB3.2

TEMWELL CORPORATION

# Performance-TTW3810B-1375M

## 0512064DC



### CH1 MARKER LIST

Marker	Freq (GHz)	Magnitude (dB)
1	1.375000	-47.901
2	1.420250	-4.622
3	1.336500	-5.150
4	1.225250	-0.581
5	1.525000	-0.121
6		
7		
8		
9		
10		

### CH2 MARKER LIST

Marker	Freq (GHz)	Magnitude (dB)
1	1.375000	-1.344
2	1.420250	-4.329
3	1.336500	-4.375
4	1.225250	-33.761
5	1.525000	-22.103
6		
7		
8		
9		
10		