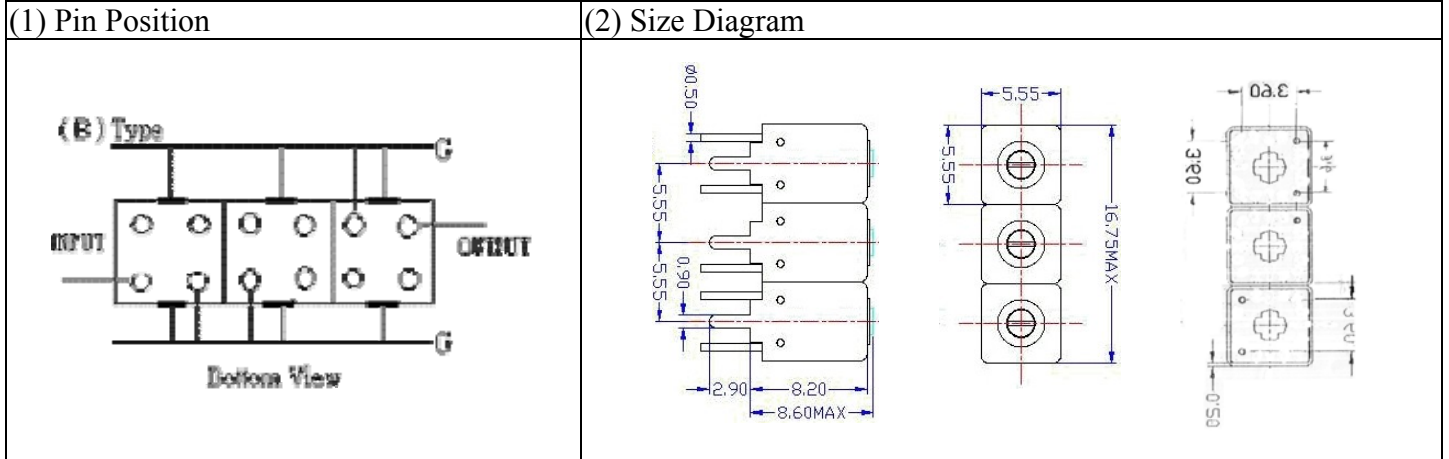


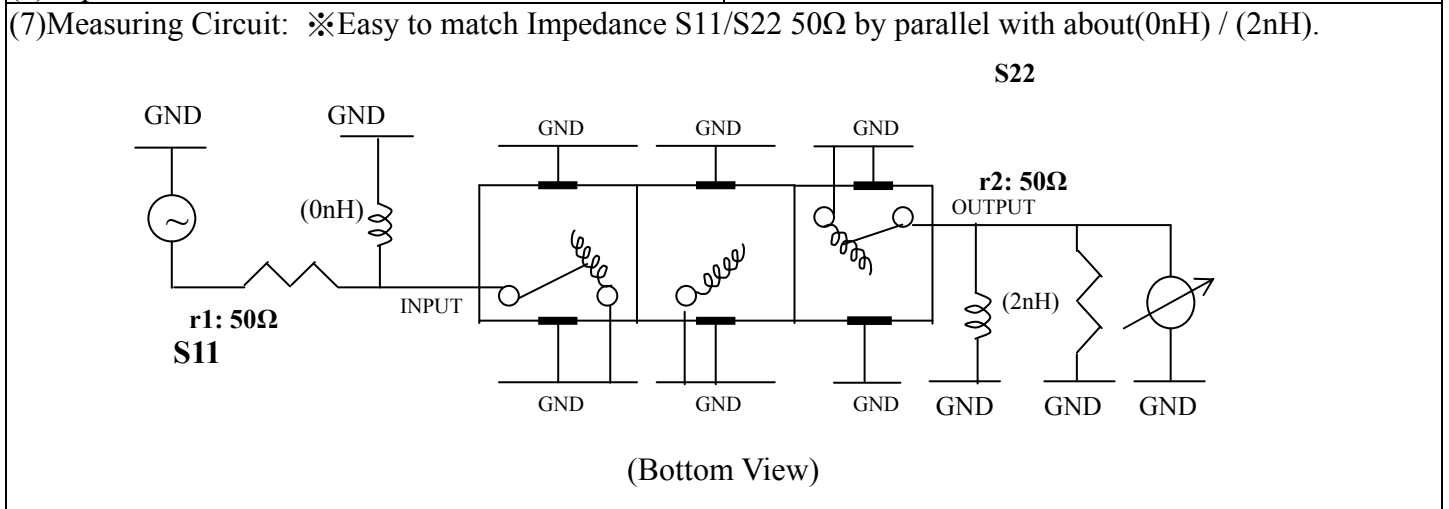
VHF UHF Helical Filter Specification Sheet

Customer Name		Temwell's Part No.	TTW3807B-1225M
Approval No. /dated	0512061APR	Acceptable Specify Fo Range	1201-1250 MHz
Work Instruction No.	0512061DC	Date	Jan.23.2006



(3) Electric Character					
Item		Specify		Performance	
Center Freq. (Fo) +/- 0.5 %		1225	MHz	1225	MHz
Tunable Range:		1225±5	MHz	1225±5	MHz
Insertion Loss		Typ. 3.0	dB	1.81	dB
-3 dB Bandwidth		Typ. 70	MHz	80.8	MHz
Sensitivity (Attenuation)	Fo - 150 MHz	Typ. 34	dBc	37	dBc
	Fo + 150 MHz	Typ. 20	dBc	23	dBc
	Fo - ()MHz	Typ.	dBc		dBc
	Fo + ()MHz	Typ.	dBc		dBc
Return Loss		Min. 12	dB	21.5	dB
Ripple		< 1	dB		dB
Impedance		In / Out : 50 Ω		In / Out : 50 Ω	

(4) Torque for Tuning Screw		> 60gf · cm
(5) Temperature Condition:		
Operating Temperature		0°C ~ +60°C
Storage Temperature		-20°C ~ +70°C
(6) Input Power		> 0.5Watt

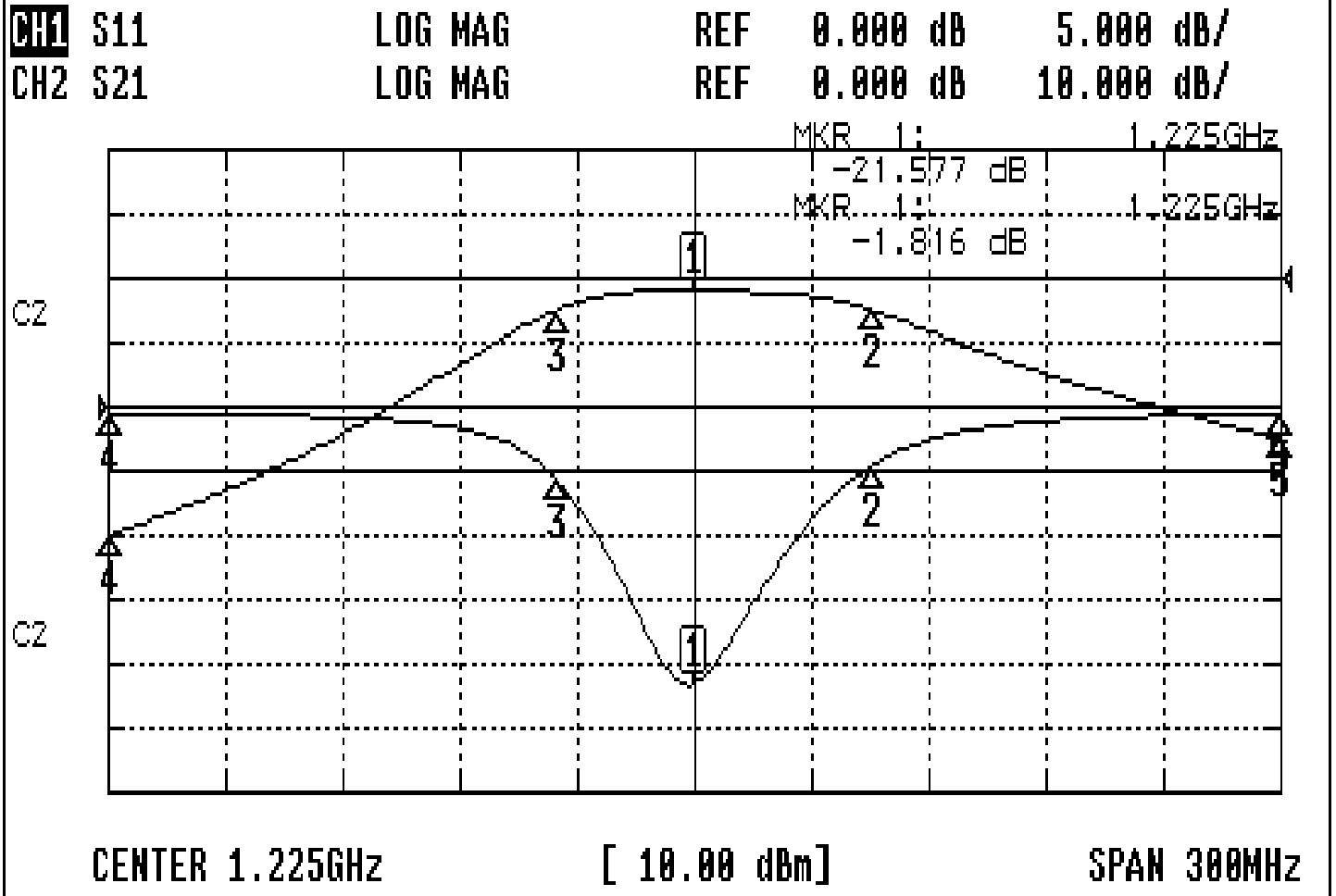


Approval	Supervisor	Designer	Aperture size
C.Y. Chang	C.S. Chang	C.S. Chang	5W3S(3.8*5.1)(5.12) 5HW046RB3.2

TEMWELL CORPORATION

Performance-TTW3807B-1225M

0512061DC



CH1 MARKER LIST

1	1.225	000GHz	-21.559	dB
2	1.270	500GHz	-4.460	dB
3	1.189	750GHz	-5.504	dB
4	1.075	000GHz	-0.466	dB
5	1.375	000GHz	-0.539	dB

CH2 MARKER LIST

1	1.225	000GHz	-1.816	dB
2	1.270	500GHz	-4.847	dB
3	1.189	750GHz	-4.876	dB
4	1.075	000GHz	-39.709	dB
5	1.375	000GHz	-24.896	dB