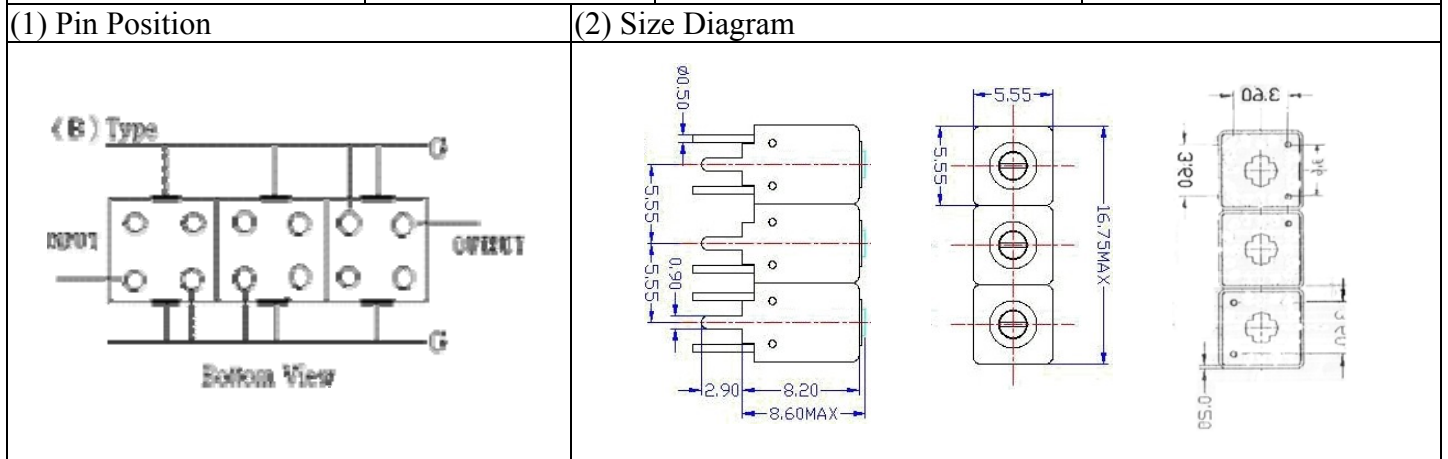


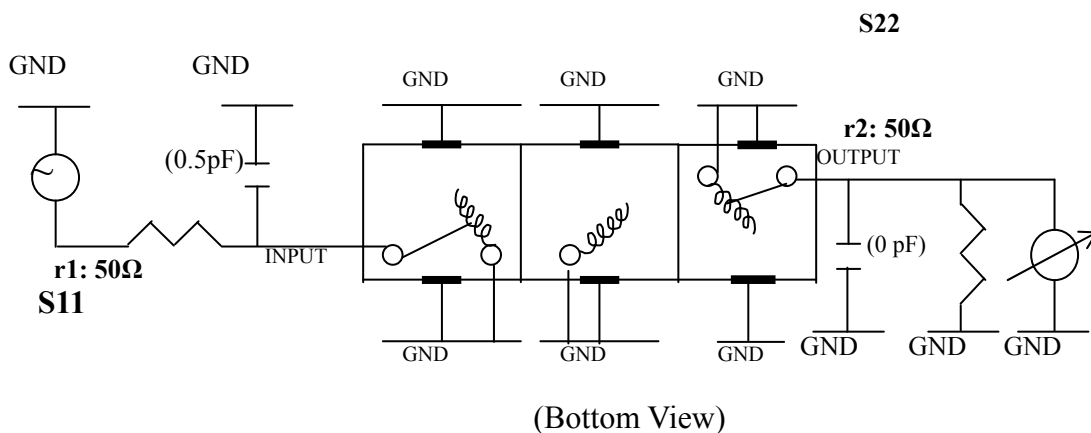
VHF UHF Helical Filter Specification Sheet

Customer Name		Temwell's Part No.	TTW3805B-1125M
Approval No. /dated	0512059APR	Acceptable Specify Fo Range	1101-1150 MHz
Work Instruction No.	0512059DC	Date	Jan.16.2006



(3) Electric Character		Item	Specify	Performance
Center Freq. (Fo) +/- 0.5 %			1125 MHz	1125 MHz
Tunable Range:			1125±5 MHz	1125±5 MHz
Insertion Loss		Typ.	2.5 dB	1.55 dB
-3 dB Bandwidth		Typ.	70 MHz	78.0 MHz
Sensitivity (Attenuation)	Fo - 150 MHz	Typ.	38 dBc	41 dBc
	Fo + 150 MHz	Typ.	22 dBc	25 dBc
	Fo - ()MHz	Typ.	dBc	dBc
	Fo + ()MHz	Typ.	dBc	dBc
Return Loss		Min.	12 dB	17.5 dB
Ripple			< 1 dB	dB
Impedance			In / Out : 50 Ω	In / Out : 50 Ω
(4) Torque for Tuning Screw			> 60gf · cm	
(5) Temperature Condition:				
Operating Temperature			0°C ~ +60°C	
Storage Temperature			-20°C ~ +70°C	
(6) Input Power			> 0.5Watt	

(7) Measuring Circuit: ※Easy to match Impedance S11/S22 50Ω by parallel with about(0.5pF) / (0pF).



Approval	Supervisor	Designer	Aperture size
C.Y. Chang	C.S. Chang	C.S. Chang	5W3, 3.8*5.1 (5.13) 5HW046RB3.2

TEMWELL CORPORATION

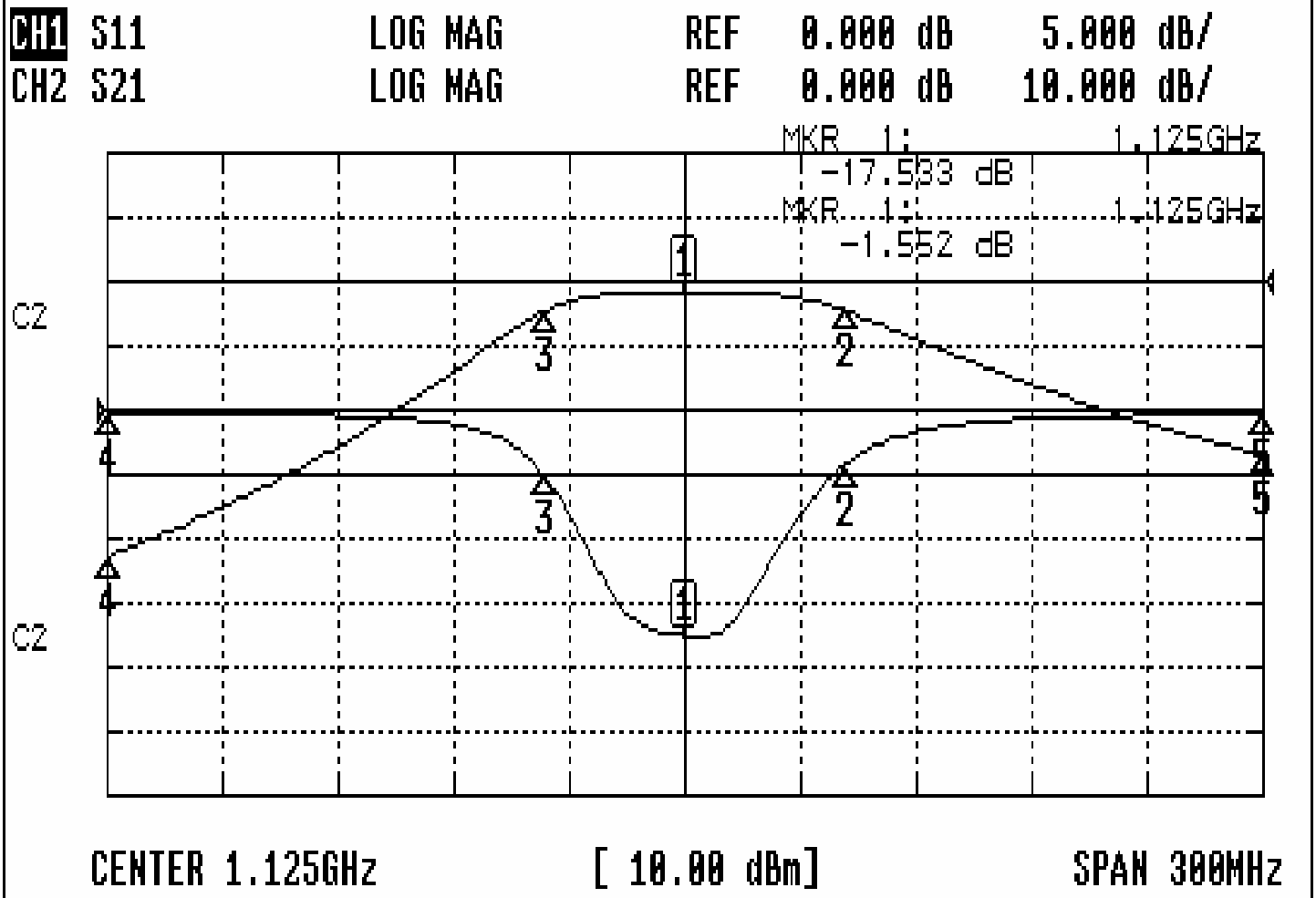
TEMWELL

Form10-5W3B Vision D

RP: C.S. Chang

Performance-TTW3805B-1125M

0512059DC



CH1 MARKER LIST

1	1.125 000GHz	-17.533	dB
2	1.166 750GHz	-4.243	dB
3	1.088 750GHz	-5.099	dB
4	975.000MHz	-0.291	dB
5	1.275 000GHz	-0.338	dB

CH2 MARKER LIST

1	1.125 000GHz	-1.552	dB
2	1.166 750GHz	-4.534	dB
3	1.088 750GHz	-4.525	dB
4	975.000MHz	-42.736	dB
5	1.275 000GHz	-26.810	dB