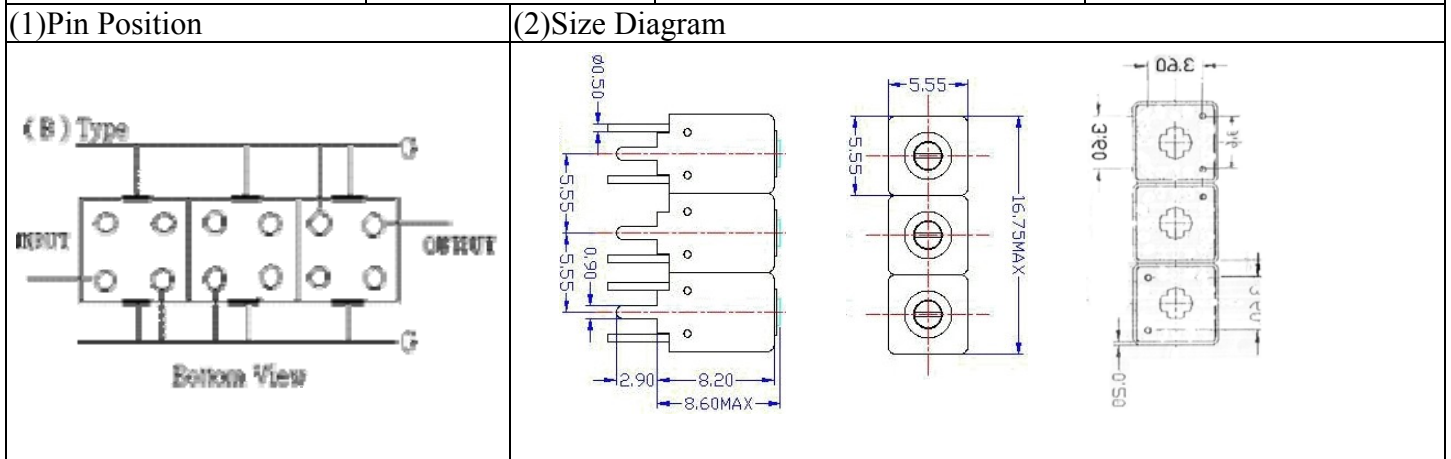


# VHF UHF Helical Filter Specification Sheet

Customer Name		Temwell's Part No.	TTW3799B-2275M
Approval No. /dated	0512053APR	Acceptable Specify Fo Range	2251-2300 MHz
Work Instruction No.	0512053DC	Date	Feb.07.2006



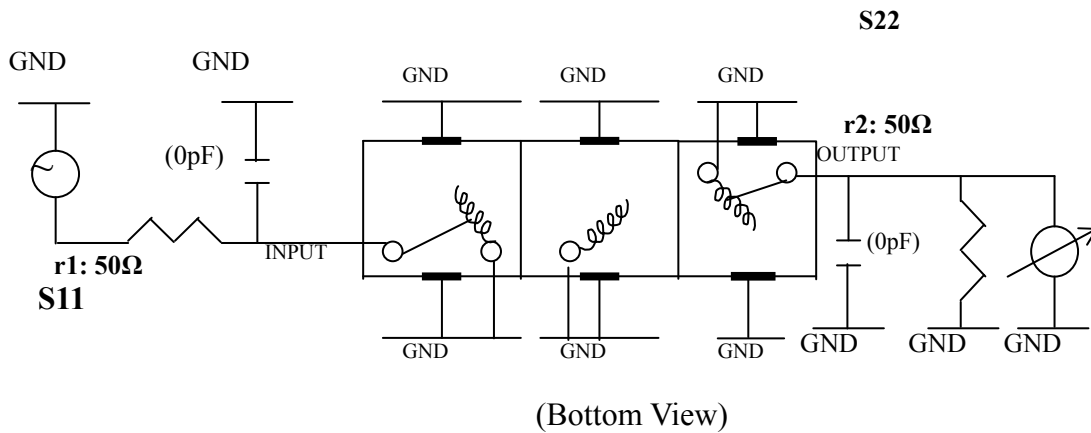
Item		Specify		Performance	
Center Freq. (Fo) +/- 0.5 %		2275	MHz	2275	MHz
Tunable Range:		2275±5	MHz	2275±5	MHz
Insertion Loss		Typ. 4.5	dB	3.21	dB
-3 dB Bandwidth		Typ. 65	MHz	84.0	MHz
Sensitivity (Attenuation)	Fo - 150 MHz	Typ. 36	dBc	39	dBc
	Fo + 150 MHz	Typ. 24	dBc	27	dBc
	Fo - ( )MHz	Typ.	dBc		dBc
	Fo + ( )MHz	Typ.	dBc		dBc
Return Loss		Min. 12	dB	24.0	dB
Ripple		< 1	dB		dB
Impedance		In / Out : 50 Ω		In / Out : 50 Ω	

(4) Torque for Tuning Screw > 60gf · cm

(5) Temperature Condition:	
Operating Temperature	0°C ~ +60°C
Storage Temperature	-20°C ~ +70°C

(6) Input Power > 0.5Watt

(7) Measuring Circuit: ※Easy to match Impedance S11/S22 50Ω by parallel with about(0pF) / (0pF).



Approval	Supervisor	Designer	Aperture size
C.Y. Chang	C.S. Chang	C.S. Chang	5W3, 3.8*4.0 (4.25) 5HW046RB3.2

TEMWELL CORPORATION

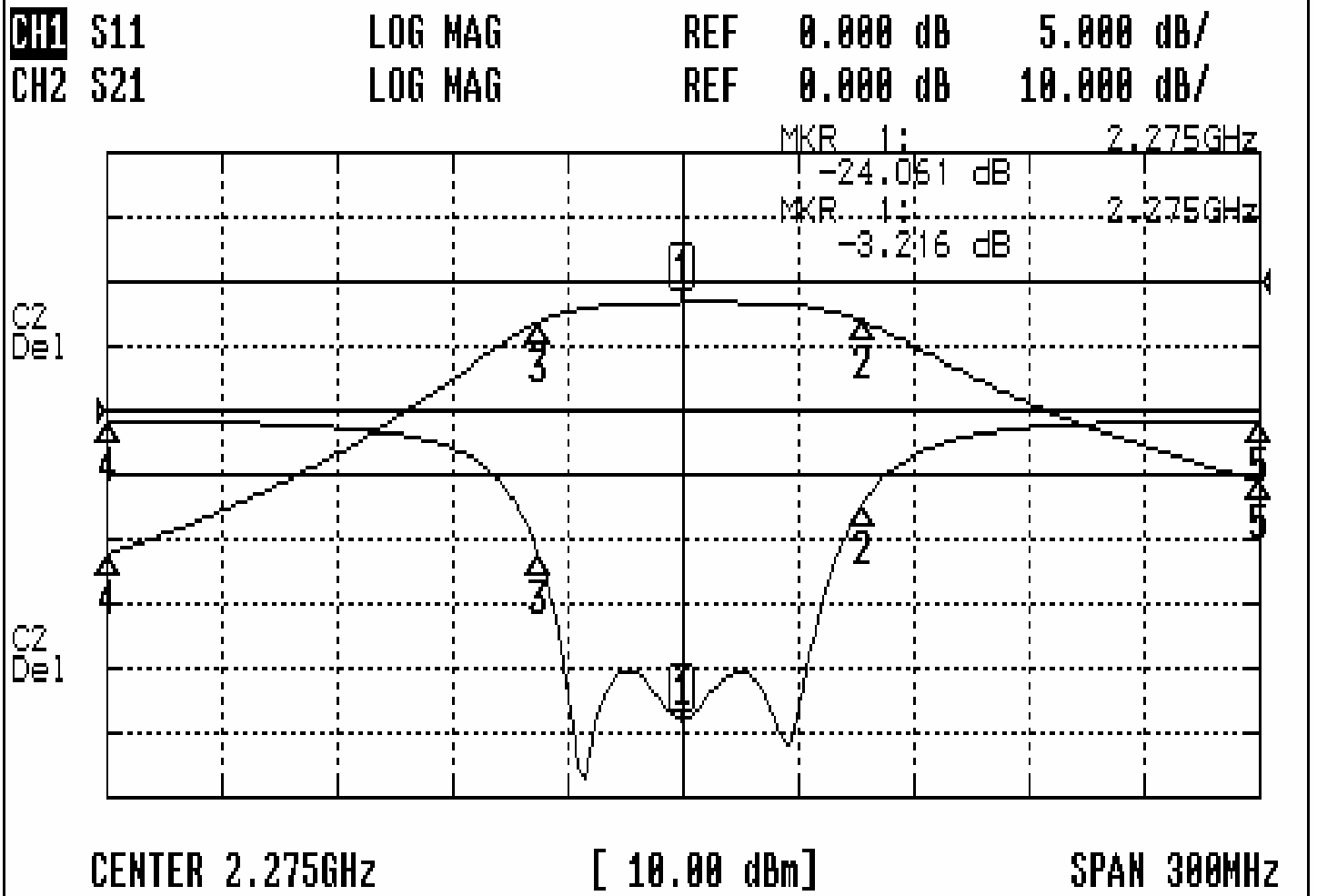
TEMWELL

Form10-5W3B Vision D

RP: C.S. Chang

# Performance-TTW3799B-2275M

## 0512053DC



### CH1 MARKER LIST

1:	2.275	000GHz	-24.061	dB
2:	2.321	750GHz	-7.320	dB
3:	2.237	750GHz	-11.269	dB
4:	2.125	000GHz	-0.762	dB
5:	2.425	000GHz	-0.750	dB

### CH2 MARKER LIST

1:	2.275	000GHz	-3.216	dB
2:	2.321	750GHz	-6.217	dB
3:	2.237	750GHz	-6.224	dB
4:	2.125	000GHz	-42.339	dB
5:	2.425	000GHz	-30.870	dB