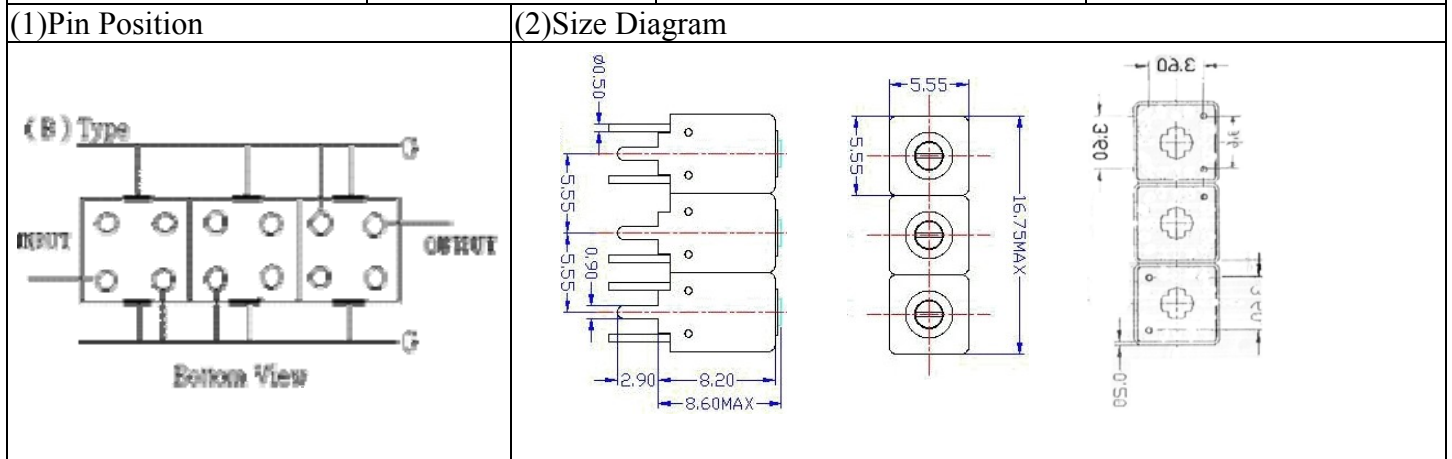


# VHF UHF Helical Filter Specification Sheet

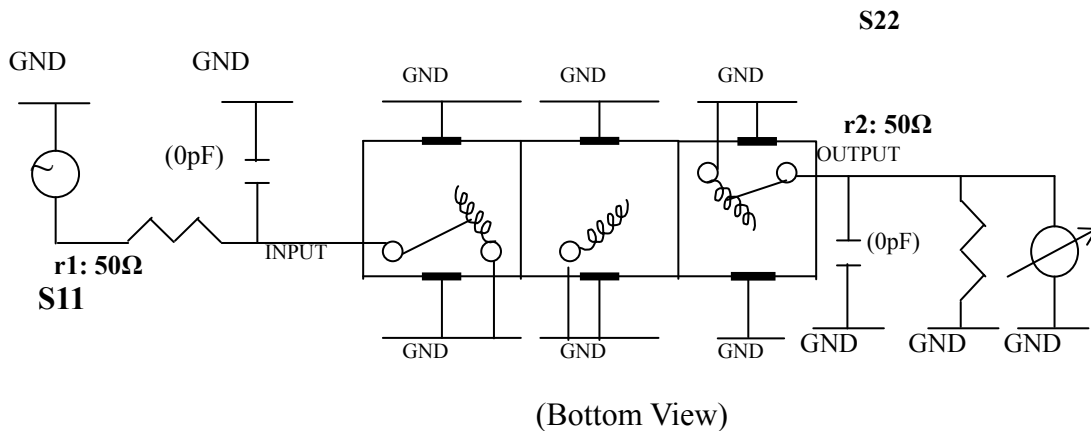
Customer Name		Temwell's Part No.	TTW3798B-2225M
Approval No. /dated	0512052APR	Acceptable Specify Fo Range	2201-2250 MHz
Work Instruction No.	0512052DC	Date	Feb.07.2006



(3) Electric Character		Item	Specify	Performance
Center Freq. (Fo) +/- 0.5 %			2225 MHz	2225 MHz
Tunable Range:			2225±5 MHz	2225±5 MHz
Insertion Loss		Typ.	4.5 dB	3.47 dB
-3 dB Bandwidth		Typ.	65 MHz	83.7 MHz
Sensitivity (Attenuation)	Fo - 150 MHz	Typ.	34 dBc	37 dBc
	Fo + 150 MHz	Typ.	20 dBc	23 dBc
	Fo - ( )MHz	Typ.	dBc	dBc
	Fo + ( )MHz	Typ.	dBc	dBc
Return Loss		Min.	12 dB	21.6 dB
Ripple			< 1 dB	dB
Impedance			In / Out : 50 Ω	In / Out : 50 Ω
(4) Torque for Tuning Screw			> 60gf · cm	

(5) Temperature Condition:	
Operating Temperature	0°C ~ +60°C
Storage Temperature	-20°C ~ +70°C
(6) Input Power	
	> 0.5Watt

(7) Measuring Circuit: ※Easy to match Impedance S11/S22 50Ω by parallel with about(0pF) / (0pF).

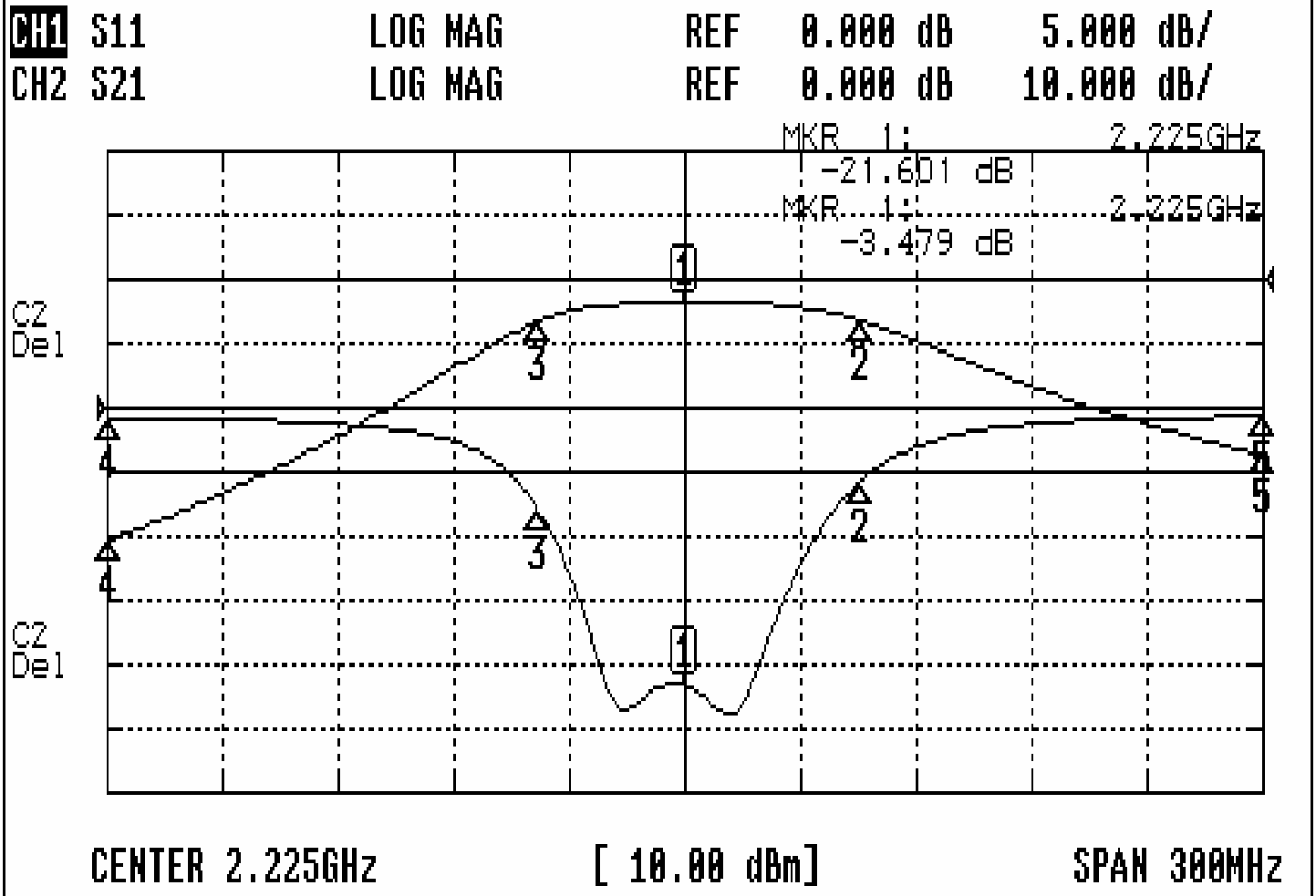


Approval	Supervisor	Designer	Aperture size
C.Y. Chang	C.S. Chang	C.S. Chang	5W3, 3.8*4.0 (4.09) 5HW046RB3.2

TEMWELL CORPORATION

# Performance-TTW3798B-2225M

## 0512052DC



### CH1 MARKER LIST

1:	2.225	000GHz	-21.601	dB
2:	2.270	750GHz	-5.701	dB
3:	2.187	000GHz	-7.869	dB
4:	2.075	000GHz	-0.763	dB
5:	2.375	000GHz	-0.693	dB
6:				
7:				
8:				
9:				
10:				

### CH2 MARKER LIST

1:	2.225	000GHz	-3.479	dB
2:	2.270	750GHz	-6.478	dB
3:	2.187	000GHz	-6.495	dB
4:	2.075	000GHz	-40.715	dB
5:	2.375	000GHz	-27.292	dB
6:				
7:				
8:				
9:				
10:				