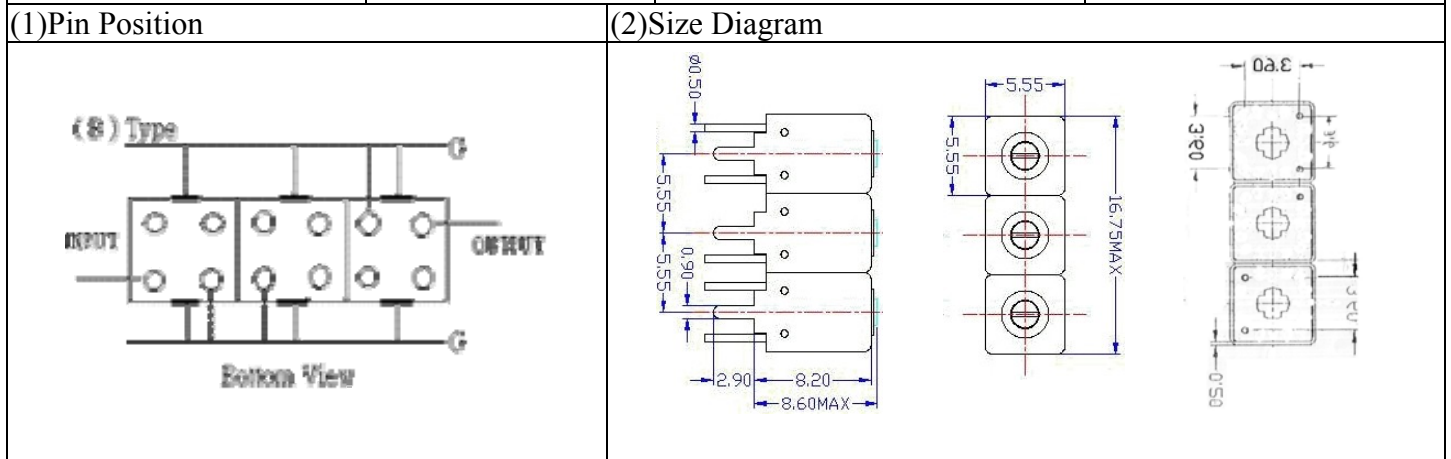


# VHF UHF Helical Filter Specification Sheet

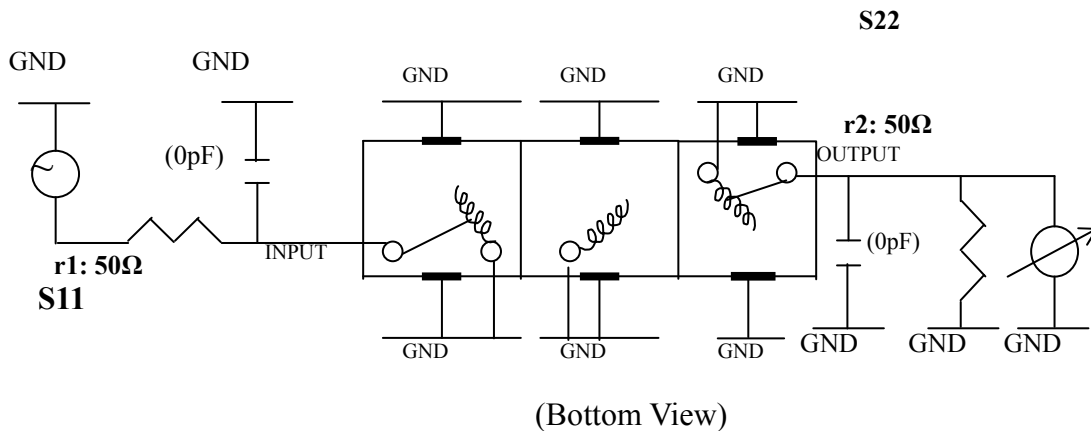
Customer Name		Temwell's Part No.	TTW3795B-2075M
Approval No. /dated	0512049APR	Acceptable Specify Fo Range	2051-2100 MHz
Work Instruction No.	0512049DC	Date	Feb.08.2006



(3) Electric Character		Specify	Performance
Item			
Center Freq.(Fo ) +/- 0.5 %		2075 MHz	2075 MHz
Tunable Range:		2075±5 MHz	2075±5 MHz
Insertion Loss		Typ. 3.5 dB	2.54 dB
-3 dB Bandwidth		Typ. 66 MHz	83.3 MHz
Sensitivity (Attenuation)	Fo - 150 MHz	Typ. 34 dBc	37 dBc
	Fo + 150 MHz	Typ. 21 dBc	24 dBc
	Fo - ( )MHz	Typ. dBc	dBc
	Fo +( )MHz	Typ. dBc	dBc
Return Loss		Min. 12 dB	21.7 dB
Ripple		< 1 dB	dB
Impedance		In / Out : 50 Ω	In / Out : 50 Ω

(4) Torque for Tuning Screw	> 60gf · cm
(5) Temperature Condition:	
Operating Temperature	0°C ~ +60°C
Storage Temperature	-20°C ~ +70°C
(6) Input Power	> 0.5Watt

(7) Measuring Circuit: ※Easy to match Impedance S11/S22 50Ω by parallel with about(0pF) / (0pF).



Approval	Supervisor	Designer	Aperture size
C.Y. Chang	C.S. Chang	C.S. Chang	5W3, 3.8*4.0 (4.30) 5HW046RB3.2

TEMWELL CORPORATION

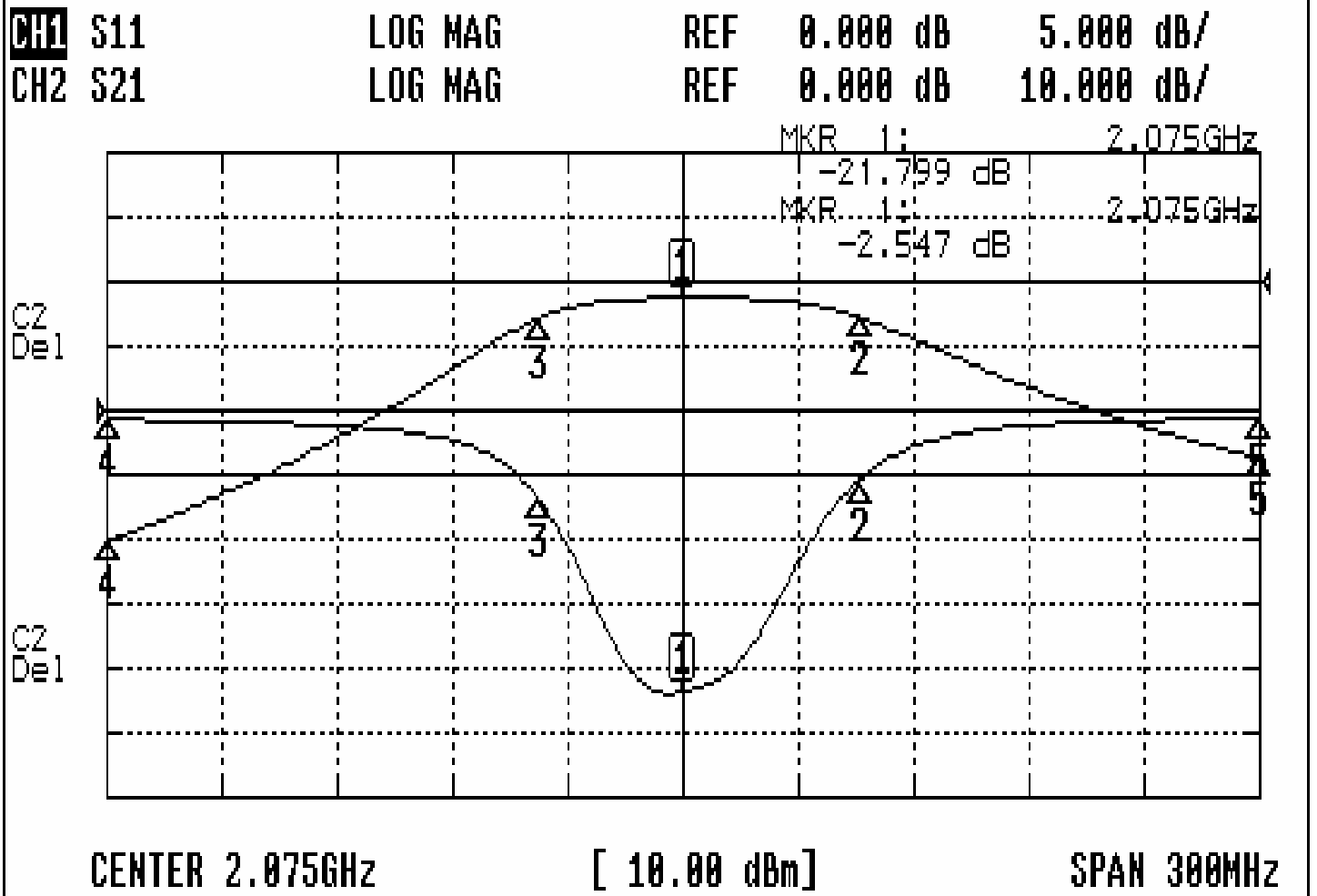
TEMWELL

Form10-5W3B Vision D

RP: C.S. Chang

# Performance-TTW3795B-2075M

## 0512049DC



### CH1 MARKER LIST

1:	2.075	000GHz	-21.799	dB
2:	2.121	000GHz	-5.380	dB
3:	2.037	750GHz	-6.911	dB
4:	1.925	000GHz	-0.697	dB
5:	2.225	000GHz	-0.636	dB

### CH2 MARKER LIST

1:	2.075	000GHz	-2.547	dB
2:	2.121	000GHz	-5.544	dB
3:	2.037	750GHz	-5.523	dB
4:	1.925	000GHz	-40.245	dB
5:	2.225	000GHz	-27.293	dB