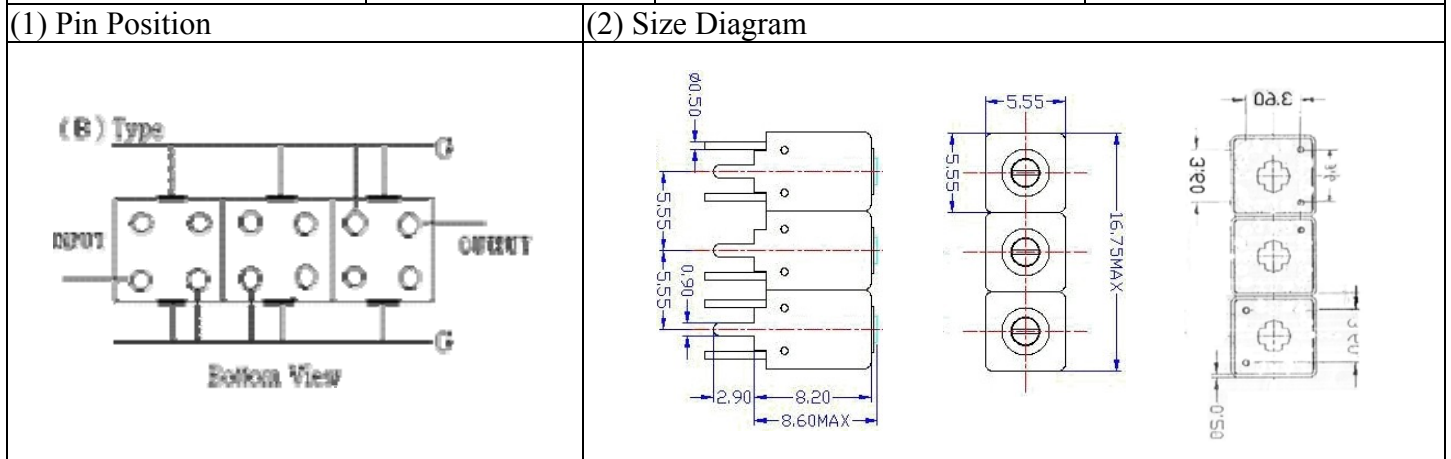


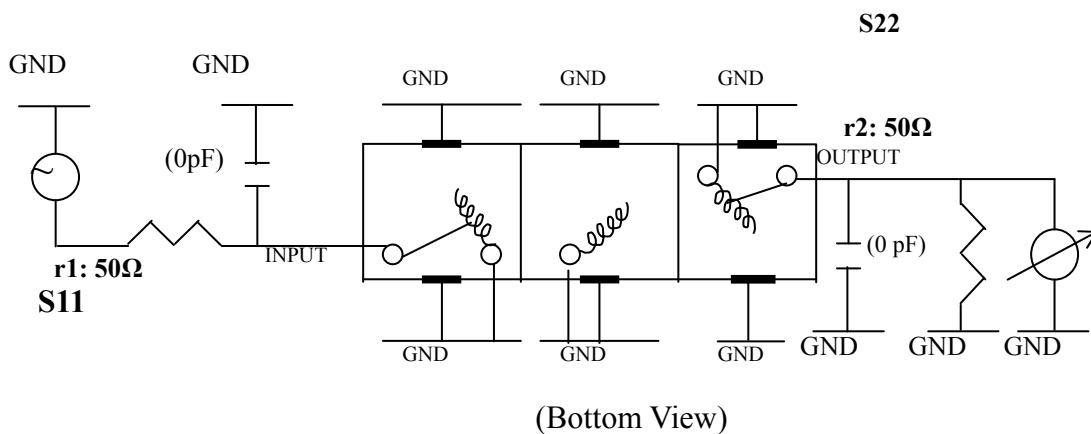
VHF UHF Helical Filter Specification Sheet

Customer Name		Temwell's Part No.	TTW3794B-1175M
Approval No. /dated	0512048APR	Acceptable Specify Fo Range	1151-1200 MHz
Work Instruction No.	0512048DC	Date	Jan.16.2006



(3) Electric Character		Item	Specify	Performance
Center Freq. (Fo) +/- 0.5 %			1175 MHz	1175 MHz
Tunable Range:			1175±5 MHz	1175±5 MHz
Insertion Loss		Typ.	3.0 dB	2.02 dB
-3 dB Bandwidth		Typ.	60 MHz	70.3 MHz
Sensitivity (Attenuation)	Fo - 150 MHz	Typ.	42 dBc	45 dBc
	Fo + 150 MHz	Typ.	22 dBc	25 dBc
	Fo - ()MHz	Typ.	dBc	dBc
	Fo + ()MHz	Typ.	dBc	dBc
Return Loss		Min.	12 dB	22.3 dB
Ripple			< 1 dB	dB
Impedance			In / Out : 50 Ω	In / Out : 50 Ω
(4) Torque for Tuning Screw			> 60gf · cm	
(5) Temperature Condition:				
Operating Temperature			0°C ~ +60°C	
Storage Temperature			-20°C ~ +70°C	
(6) Input Power			> 0.5Watt	

(7) Measuring Circuit: ※Easy to match Impedance S11/S22 50Ω by parallel with about(0pF) / (0pF).



Approval	Supervisor	Designer	Aperture size
C.Y. Chang	C.S. Chang	C.S. Chang	5W3, 3.8*5.1 (5.1.3) 5HW046RB3.2

TEMWELL CORPORATION

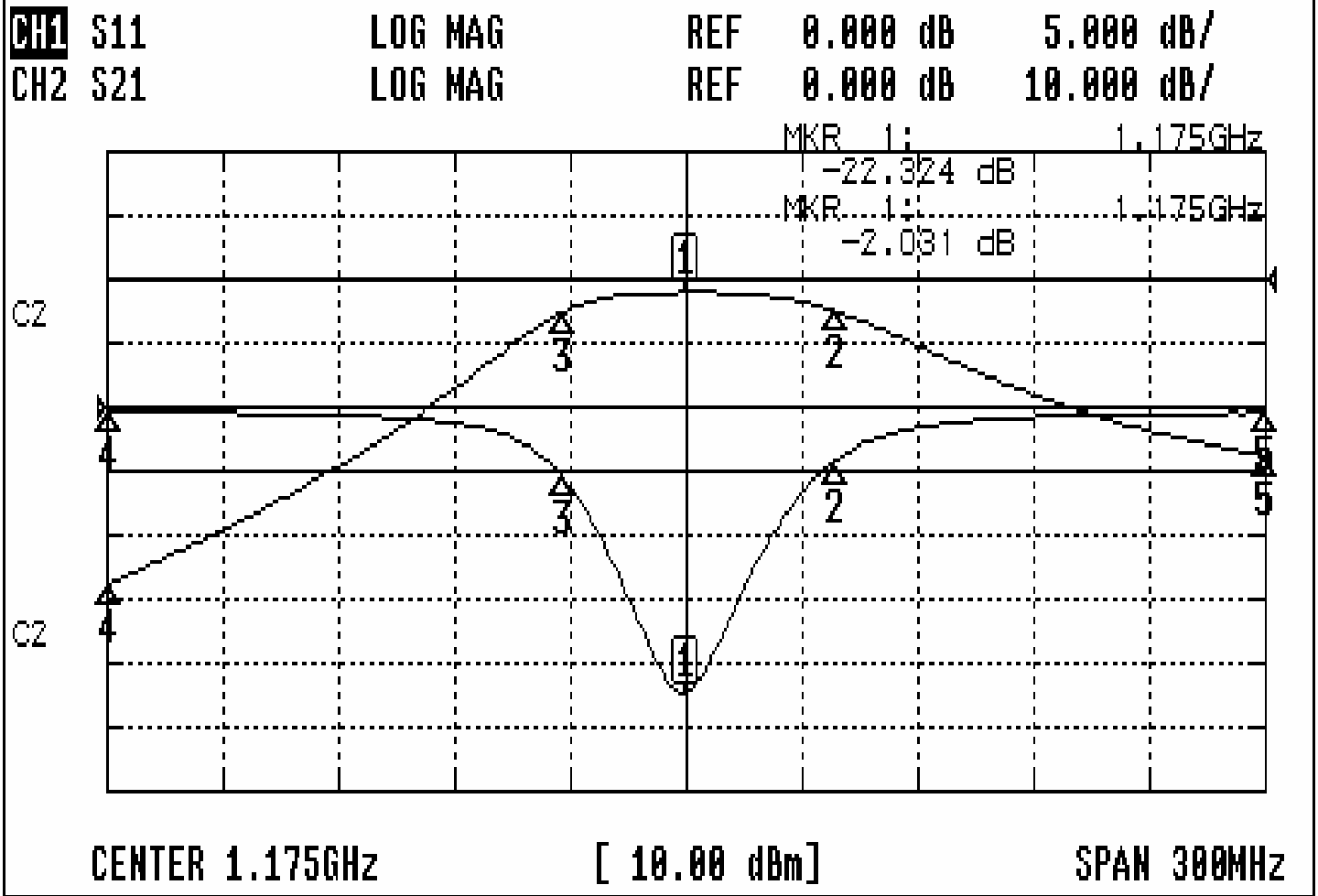
TEMWELL

Form10-5W3B Vision D

RP: C.S. Chang

Performance-TTW3794B-1175M

0512048DC



CH1 MARKER LIST

1	1.175	000GHz	-22.324	dB
2	1.213	500GHz	-4.221	dB
3	1.143	250GHz	-5.476	dB
4	1.025	000GHz	-0.346	dB
5	1.325	000GHz	-0.430	dB

CH2 MARKER LIST

1	1.175	000GHz	-2.028	dB
2	1.213	500GHz	-4.990	dB
3	1.143	250GHz	-5.114	dB
4	1.025	000GHz	-47.551	dB
5	1.325	000GHz	-27.674	dB