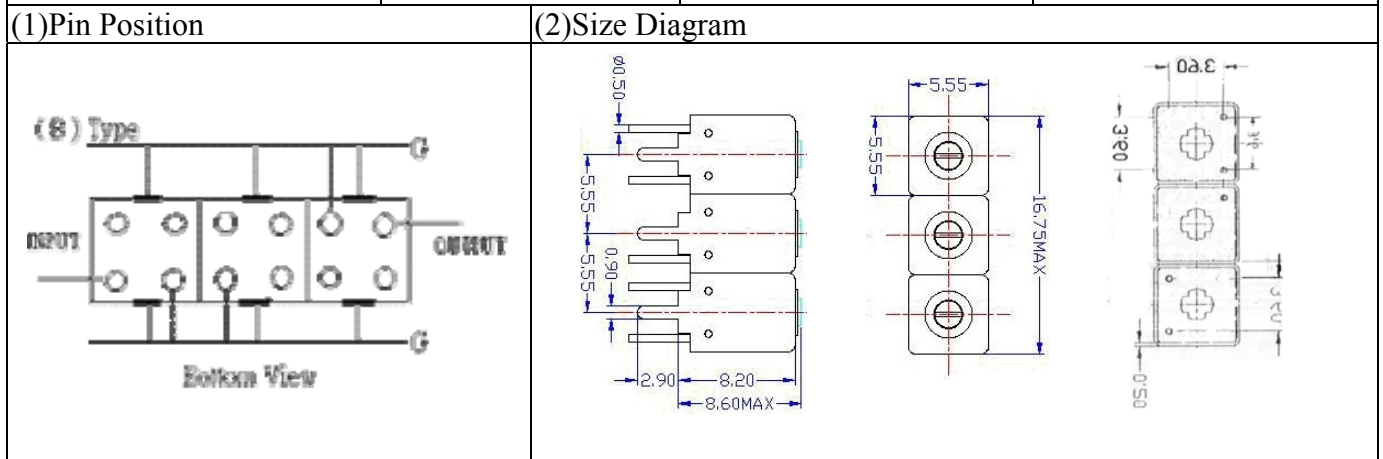


# VHF UHF Helical Filter Specification Sheet

Customer Name		Temwell's Part No.	TTW3788B-875M-60M
Approval No. /dated	0512042APR	Acceptable Specify Fo Range	851-900 MHz
Work Instruction No.	0512042DC	Date	Jan.02.2006



(3) Electric Character

Item	Specify	Performance	
Center Freq.(Fo) +/- 0.5 %	875 MHz	875 MHz	
Tunable Range:	875±10 MHz	875±10 MHz	
Insertion Loss	Typ. 3.0 dB	2.08 dB	
-3 dB Bandwidth	Typ. 60 MHz	72.7 MHz	
Sensitivity (Attenuation)	Fo - 100 MHz	Typ. 33 dBc	36 dBc
	Fo + 100 MHz	Typ. 19 dBc	22 dBc
	Fo - ( )MHz	Typ. dBc	dBc
	Fo +( )MHz	Typ. dBc	dBc
Return Loss	Min. 12 dB	15.6 dB	
Ripple	< 1 dB	dB	
Impedance	In / Out : 50 Ω	In / Out : 50 Ω	
(4) Torque for Tuning Screw	> 60gf · cm		

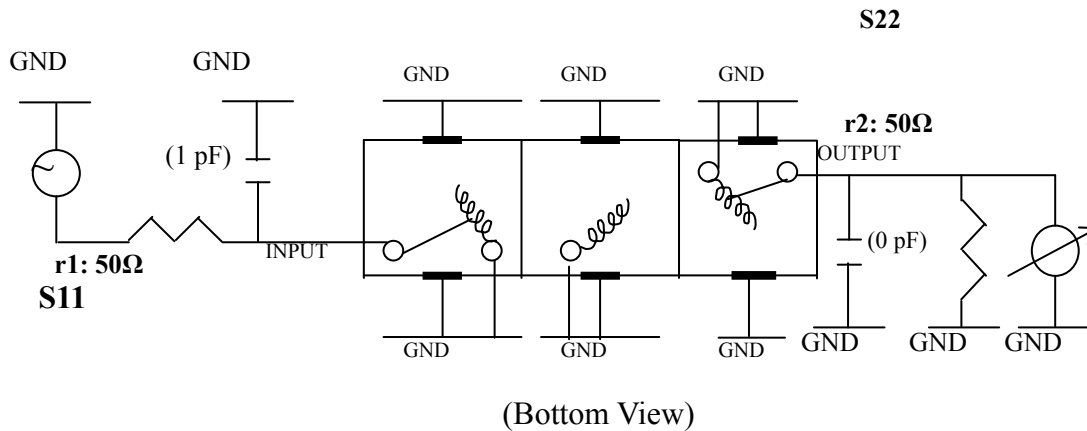
(5) Temperature Condition:

Operating Temperature	-30°C ~ +70°C
Storage Temperature	-30°C ~ +80°C

(6) Input Power

> 0.5Watt

(7) Measuring Circuit: ※Easy to match Impedance S11/S22 50Ω by parallel with about(1pF) / (0pF).

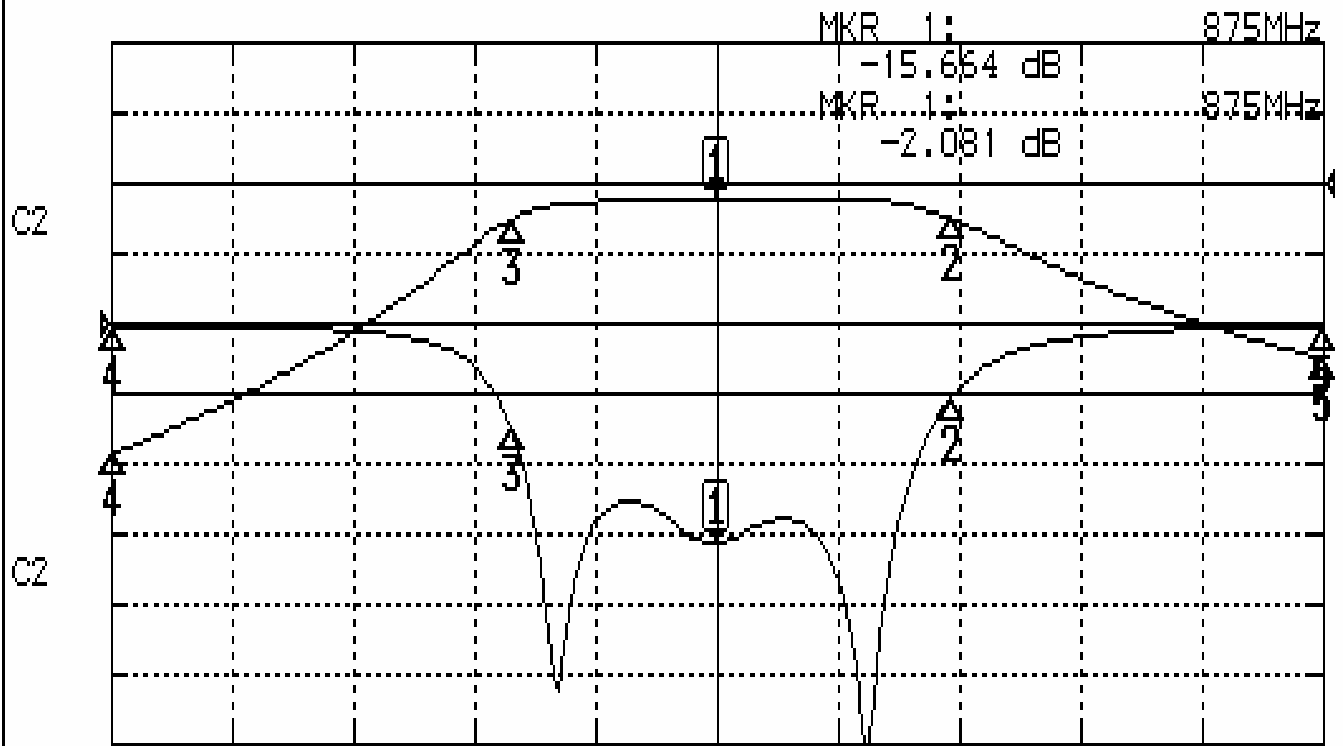


Approval C.Y.Chang	Supervisor C.S.Chang	Designer C.S.Chang	Aperture size 5W3, 3.8*5.1(5.12)
-----------------------	-------------------------	-----------------------	-------------------------------------

# Performance-TTW3788B-875M-60M

## 0512042DC

CH1 S11 LOG MAG REF 0.000 dB 5.000 dB/  
 CH2 S21 LOG MAG REF 0.000 dB 10.000 dB/



CENTER 875MHz

[ 10.00 dBm ]

SPAN 200MHz

### CH1 MARKER LIST

1	875.000MHz	-15.658 dB
2	913.833MHz	-5.179 dB
3	841.166MHz	-7.505 dB
4	775.000MHz	-0.188 dB
5	975.000MHz	-0.235 dB

### CH2 MARKER LIST

1	875.000MHz	-2.081 dB
2	913.833MHz	-1.5029 dB
3	841.166MHz	-1.5045 dB
4	775.000MHz	-38.432 dB
5	975.000MHz	-24.941 dB