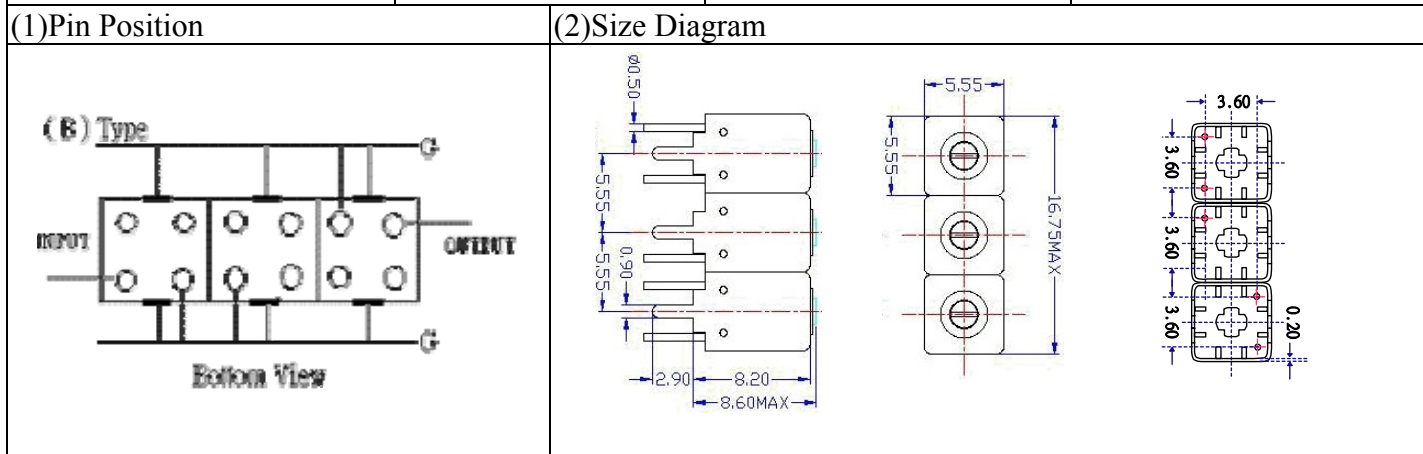


VHF UHF Helical Filter Specification Sheet

Customer Name		Temwell's Part No.	TTW3770B-2025M
Approval No. /dated	201407135CD	Temwell's Print Name.	3770B 2025M
Work Instruction No.	201407135CD	Date	Dec.03.2014



(3) Electric Character

Item	Specify	Performance	
Center Freq.(Fo) +/- 0.5 %	2025 MHz	2025 MHz	
Insertion Loss	Typ. 3.5 dB	2.52 dB	
-3 dB Bandwidth	Typ. 66 MHz	78.8 MHz	
Sensitivity (Attenuation)	Fo - 150 MHz	Typ. 33 dBc	38 dBc
	Fo + 150 MHz	Typ. 20 dBc	25 dBc
	Fo - ()MHz	Typ. dBc	dBc
	Fo +()MHz	Typ. dBc	dBc
Return Loss	Min. 12 dB	43.8 dB	
Ripple	< 1 dB	dB	
Impedance	In / Out : 50 Ω	In / Out : 50 Ω	

(4) Torque for Tuning Screw

> 60gf • cm

(5) Temperature Condition:

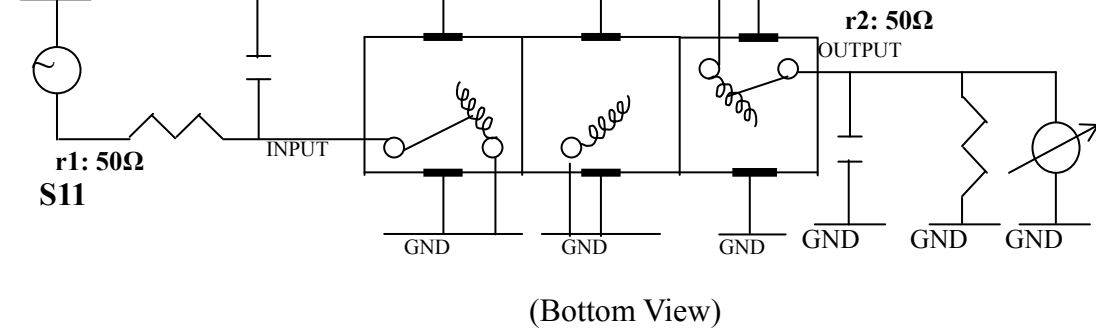
Operating Temperature 0°C ~ +60°C

Storage Temperature -20°C ~ +70°C

(6) Input Power

> 0.5Watt

(7) Measuring Circuit: ※Easy to match Impedance S11/S22 50Ω by parallel with about(--)



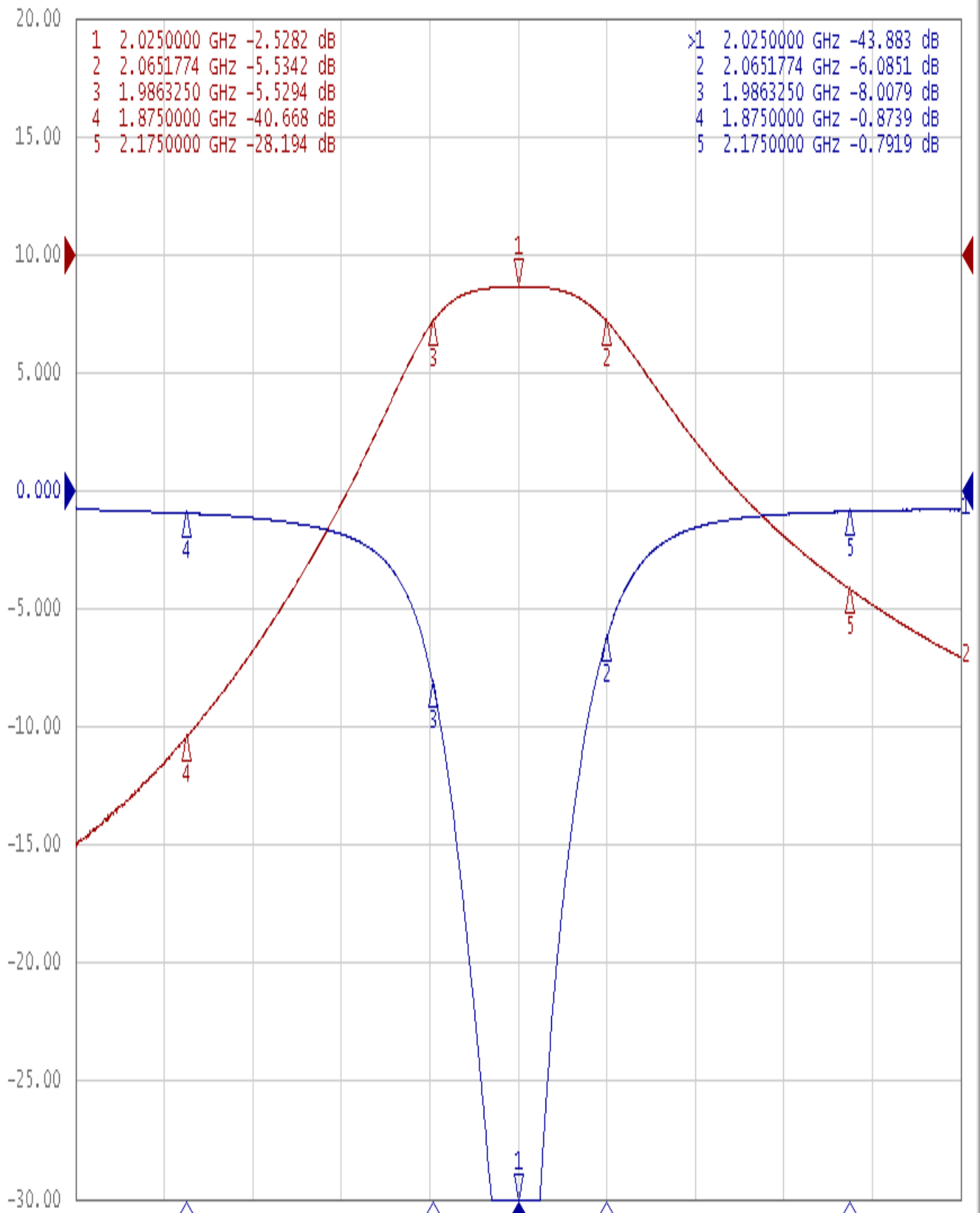
Approval C.Y.Chang	Supervisor C.K.Chang	Designer C.S.Chang	Aperture size 5W3S(3.8*4.5)(4.58) 5HW046RB3.2 (J1)
-----------------------	-------------------------	-----------------------	--

TEMWELL CORPORATION

Performance-TTW3770B-2025M

201407135CD

Tr1 S11 Log Mag 5.000dB/ Ref 0.000dB [F2]
Tr2 S21 Log Mag 10.00dB/ Ref 0.000dB [F2]



1 Center 2.025 GHz

IFBW 10 kHz

Span 400 MHz Cor !