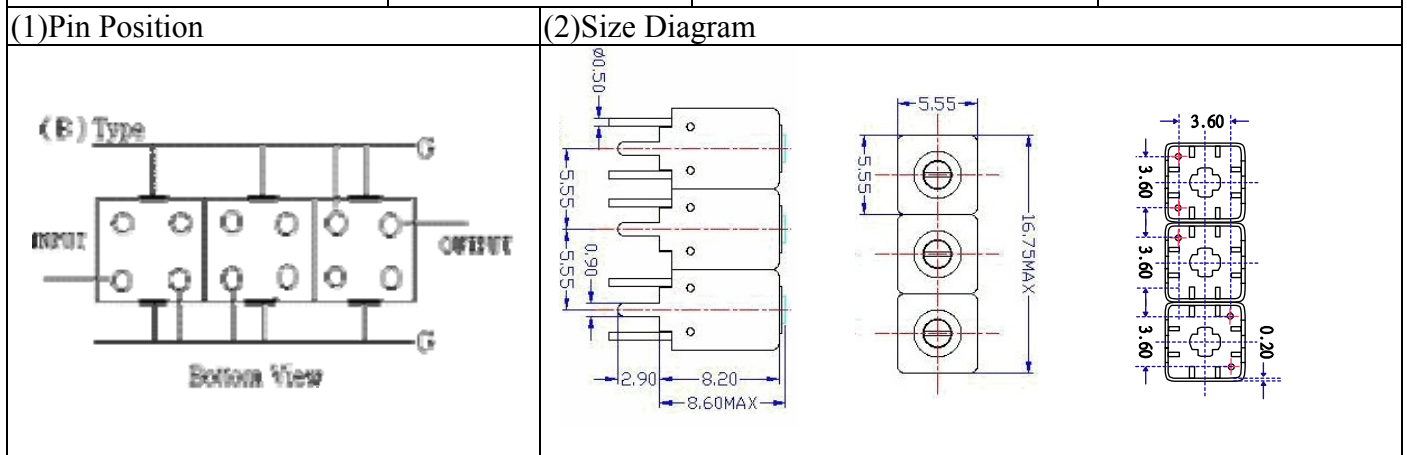


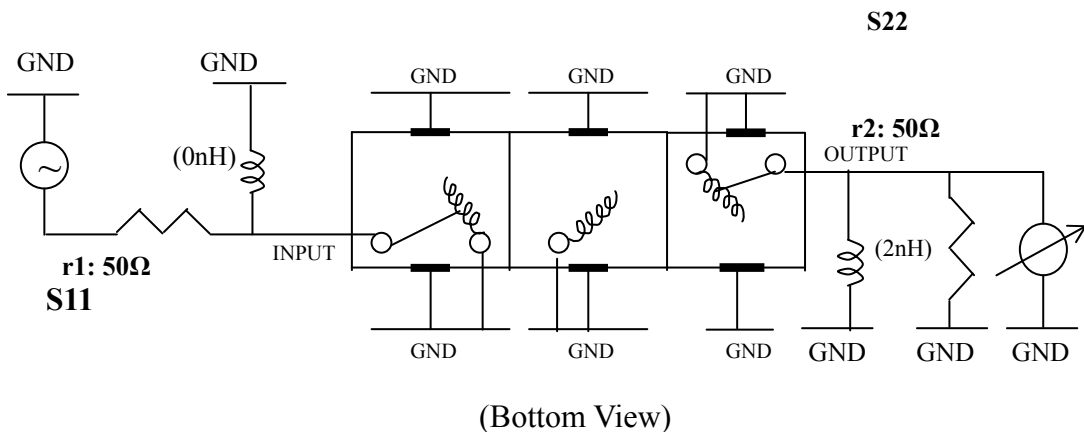
# VHF UHF Helical Filter Specification Sheet

Customer Name		Temwell's Part No.	TTW3767B-1675M
Approval No. /dated	201407129CD	Acceptable Specify Fo Range	3767B 1675M
Work Instruction No.	201407129CD	Date	Dec.04.2014



(3) Electric Character			
Item		Specify	Performance
Center Freq.(Fo) +/- 0.5 %		1675 MHz	1675 MHz
Insertion Loss		Typ.. 3.0 dB	2.04 dB
-3 dB Bandwidth		Typ.. 60 MHz	72.2 MHz
Sensitivity (Attenuation)	Fo -100 MHz	Typ.. 23 dBc	28 dBc
	Fo +100 MHz	Typ.. 16 dBc	21 dBc
	Fo - ( )MHz	Typ. dBc	dBc
	Fo +( )MHz	Typ. dBc	dBc
Return Loss		Min. 12 dB	30.5 dB
Ripple		< 1 dB	dB
Impedance		In / Out : 50 Ω	In / Out : 50 Ω
(4) Torque for Tuning Screw		> 60gf • cm	
(5) Temperature Condition:			
Operating Temperature		0°C ~ +60°C	
Storage Temperature		-20°C ~ +70°C	
(6) Input Power		> 0.5Watt	

(7) Measuring Circuit: ※Easy to match Impedance S11/S22 50Ω by parallel with about(- -).



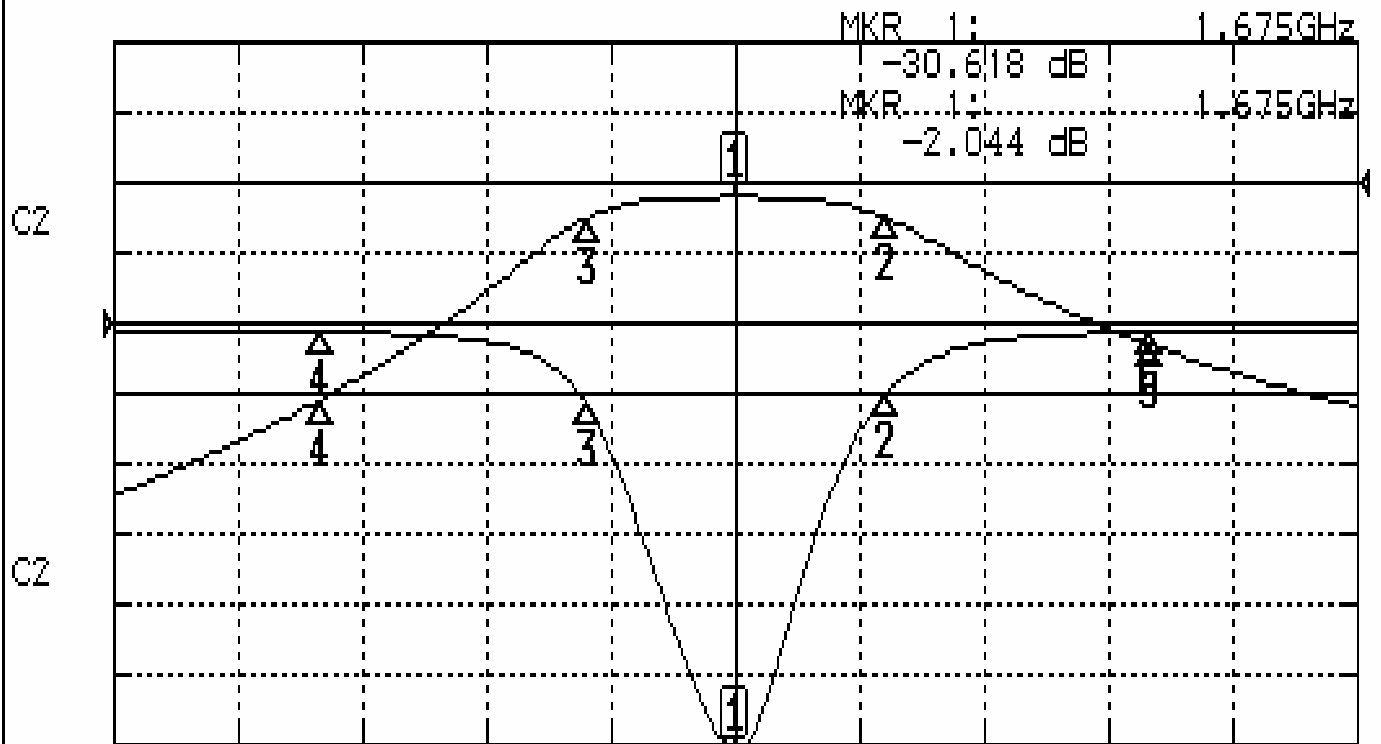
Approval	Supervisor	Designer	Aperture size
C.Y.Chang	C.K.Chang	H.W.Lin	5W3(3.8*4.5)(4.58 ) 5HW046RB3.2

TEMWELL CORPORATION

# Performance-TTW3767B-1675M

## 201407129CD

CH1 S11 LOG MAG REF 0.000 dB 5.000 dB/  
 CH2 S21 LOG MAG REF 0.000 dB 10.000 dB/



CENTER 1.675GHz

[ 10.00 dBm ]

SPAN 300MHz

### CH1 MARKER LIST

1:	1.675 000GHz	-30.545 dB
2:	1.711 250GHz	-5.064 dB
3:	1.639 000GHz	-5.694 dB
4:	1.575 000GHz	-0.606 dB
5:	1.775 000GHz	-0.612 dB
6:		
7:		
8:		
9:		
10:		

### CH2 MARKER LIST

1:	1.675 000GHz	-2.044 dB
2:	1.711 250GHz	-5.014 dB
3:	1.639 000GHz	-5.030 dB
4:	1.575 000GHz	-30.849 dB
5:	1.775 000GHz	-23.053 dB
6:		
7:		
8:		
9:		
10:		