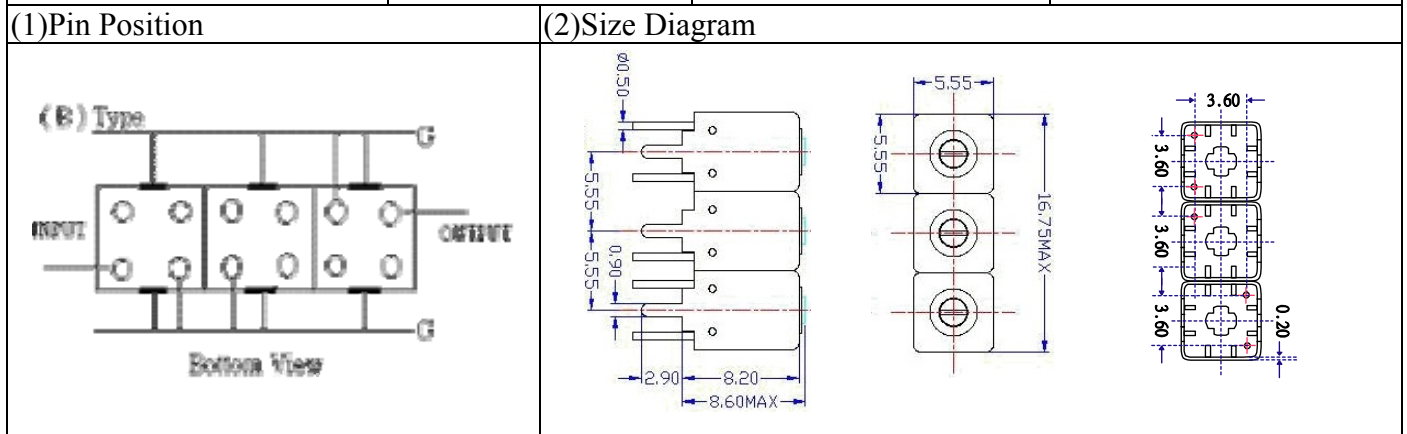


VHF UHF Helical Filter Specification Sheet

Customer Name		Temwell's Part No.	TTW3766B-1625M
Approval No. /dated	201407127CD	Temwell's Print Name.	3766B 1625M
Work Instruction No.	201407127CD	Date	Dec.05.2014



(3) Electric Character			
Item		Specify	Performance
Center Freq.(Fo) +/- 0.5 %		1625 MHz	1625 MHz
Insertion Loss		Typ. 3.0 dB	2.02 dB
-3 dB Bandwidth		Typ. 65 MHz	71.0 MHz
Sensitivity (Attenuation)	Fo - 100 MHz	Typ. 25 dBc	30 dBc
	Fo + 100 MHz	Typ. 17 dBc	22 dBc
	Fo - ()MHz	Typ. dBc	dBc
	Fo +()MHz	Typ. dBc	dBc
Return Loss		Min. 12 dB	37.0 dB
Ripple		< 1 dB	dB
Impedance		In / Out : 50 Ω	In / Out : 50 Ω

(4) Torque for Tuning Screw > 60gf · cm

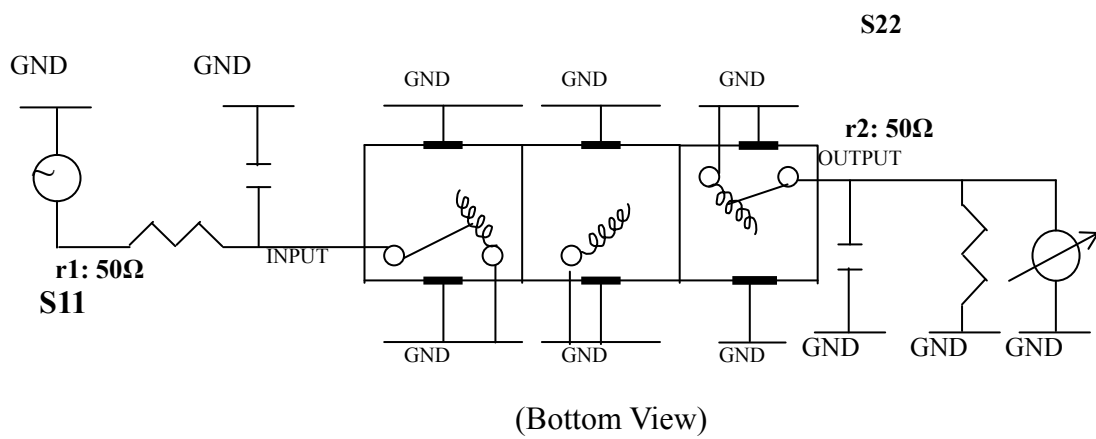
(5) Temperature Condition:

Operating Temperature 0°C ~ +60°C

Storage Temperature -20°C ~ +70°C

(6) Input Power > 0.5Watt

(7) Measuring Circuit: ※Easy to match Impedance S11/S22 50Ω by parallel with about(--) / (--).

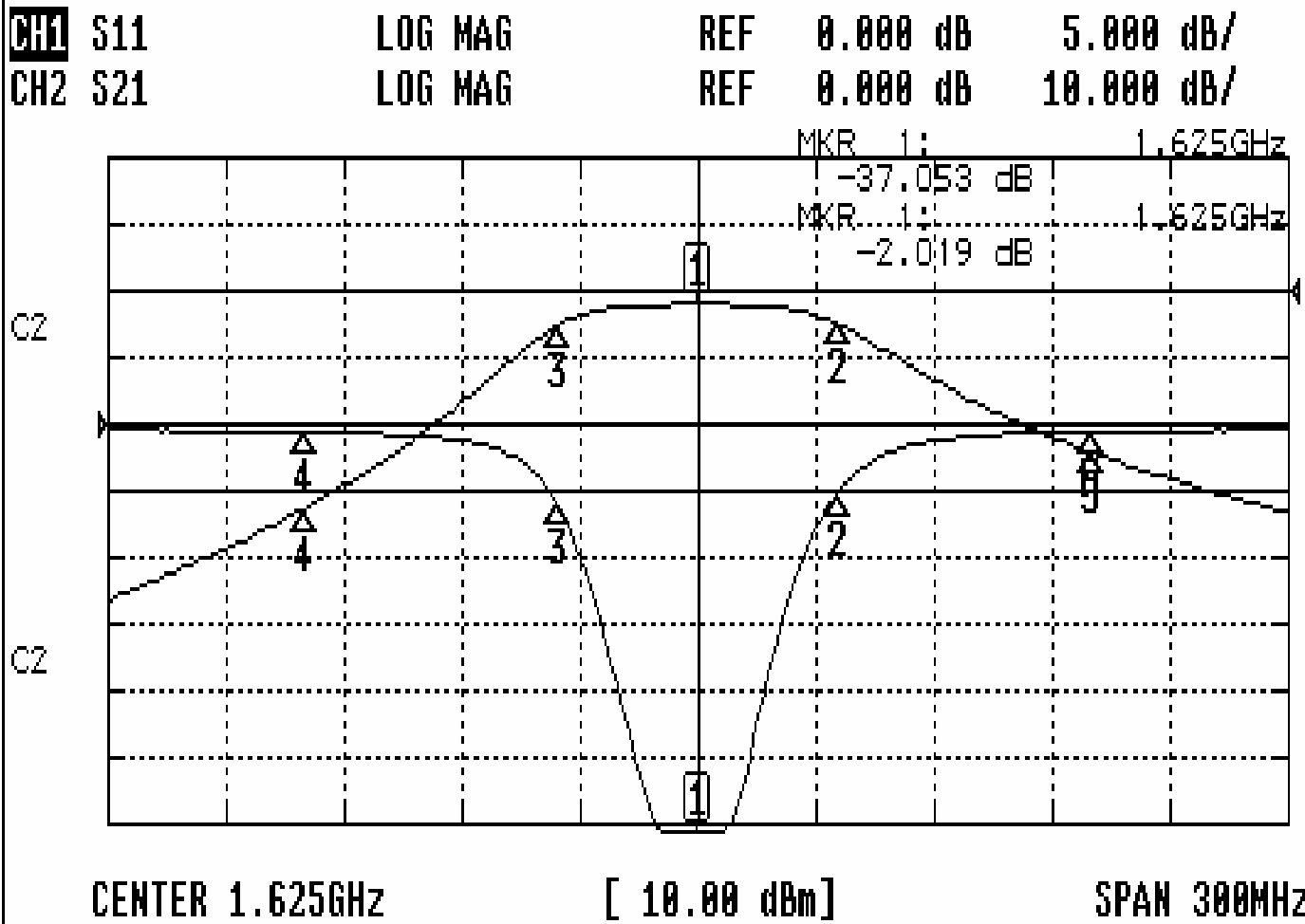


Approval	Supervisor	Designer	Aperture size
C.Y.Chang	C.K.Chang	C.H.Yeh	5W3S(3.8*4.5)(4.48) 5HW046RB3.2

TEMWELL CORPORATION

Performance-TTW3766B-1625M

201407127CD



CH1 MARKER LIST

1:	1.625	000GHz	-37.053	dB
2:	1.660	500GHz	-5.200	dB
3:	1.589	500GHz	-6.023	dB
4:	1.525	000GHz	-0.570	dB
5:	1.725	000GHz	-0.532	dB

CH2 MARKER LIST

1:	1.625	000GHz	-2.022	dB
2:	1.660	500GHz	-5.010	dB
3:	1.589	500GHz	-5.089	dB
4:	1.525	000GHz	-32.526	dB
5:	1.725	000GHz	-24.215	dB