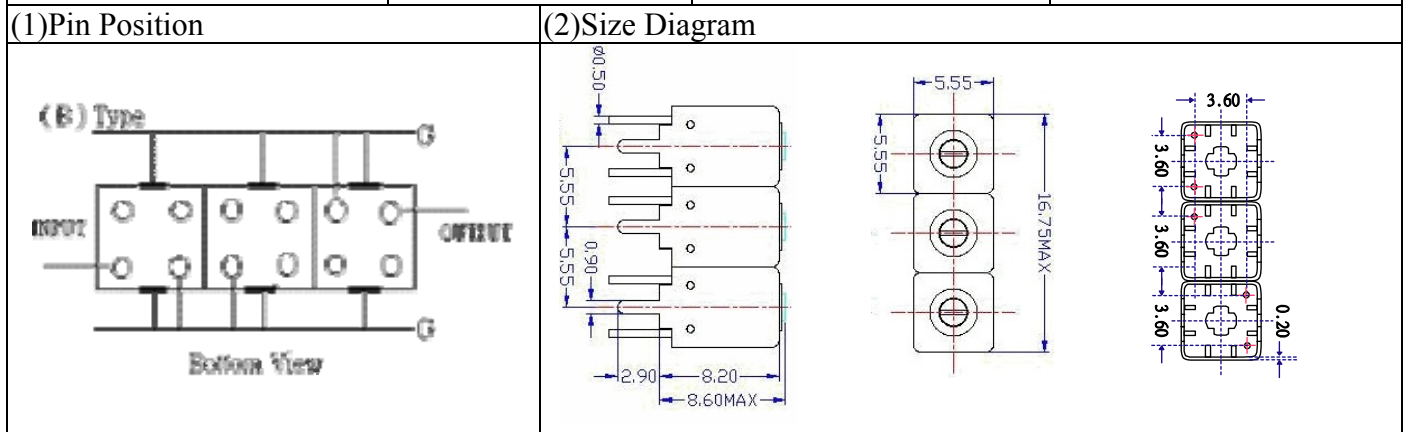


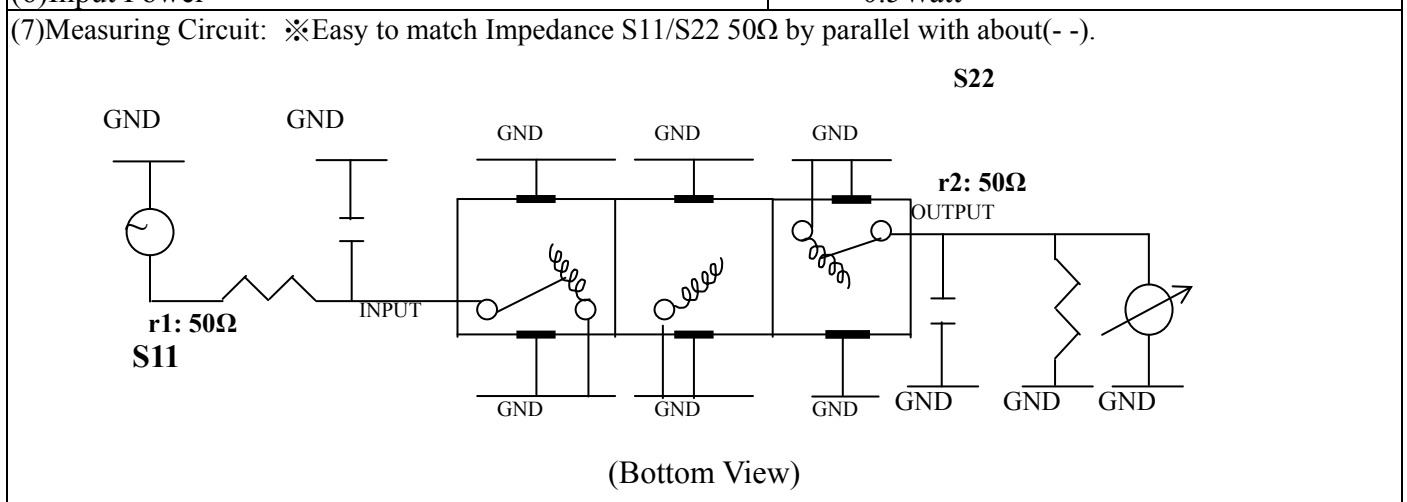
# VHF UHF Helical Filter Specification Sheet

Customer Name		Temwell's Part No.	TTW3761B-1375M
Approval No. /dated	201407119CD	Temwell's Print Name.	3761B 1375M
Work Instruction No.	201407119CD	Date	Nov.20.2014



(3) Electric Character			
Item	Specify	Performance	
Center Freq.(Fo) +/- 0.5 %	1375 MHz	1375	MHz
Insertion Loss	Typ. 2.5 dB	1.69	dB
-3 dB Bandwidth	Typ. 63 MHz	72.5	MHz
Sensitivity (Attenuation)	Fo - 150 MHz	Typ. 38	dBc
	Fo + 150 MHz	Typ. 23	dBc
	Fo - ( )MHz	Typ.	dBc
	Fo +( )MHz	Typ.	dBc
Return Loss	Min. 12 dB	29.9	dB
Ripple	< 1 dB		dB
Impedance	In / Out : 50 Ω	In / Out : 50 Ω	
(4) Torque for Tuning Screw	> 60gf · cm		

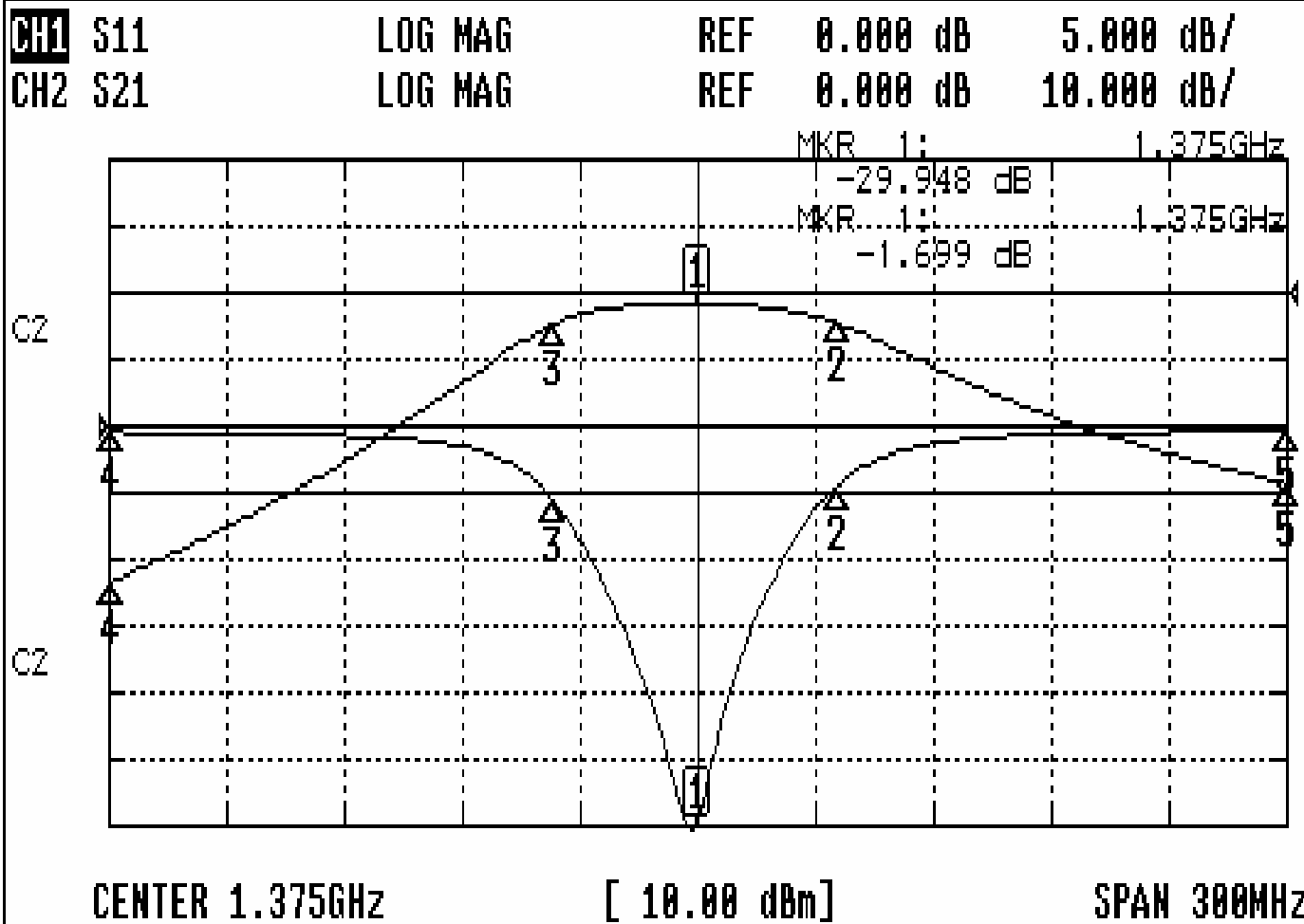
(5) Temperature Condition:	
Operating Temperature	0°C ~ +60°C
Storage Temperature	-20°C ~ +70°C
(6) Input Power	> 0.5Watt



Approval	Supervisor	Designer	Aperture size
C.Y.Chang	C.K.Chang	M.Y.Kang	5W3S(3.8*5.1)(5.11) 5HW046RB3.2

# Performance-TTW3761B-1375M

## 201407119CD



### CH1 MARKER LIST

Marker	Frequency (GHz)	Magnitude (dB)
1:	1.375 000GHz	-29.948 dB
2:	1.410 750GHz	-4.430 dB
3:	1.338 250GHz	-5.526 dB
4:	1.225 000GHz	-0.426 dB
5:	1.525 000GHz	-0.409 dB

### CH2 MARKER LIST

Marker	Frequency (GHz)	Magnitude (dB)
1:	1.375 000GHz	-1.696 dB
2:	1.410 750GHz	-4.649 dB
3:	1.338 250GHz	-4.664 dB
4:	1.225 000GHz	-43.307 dB
5:	1.525 000GHz	-28.556 dB