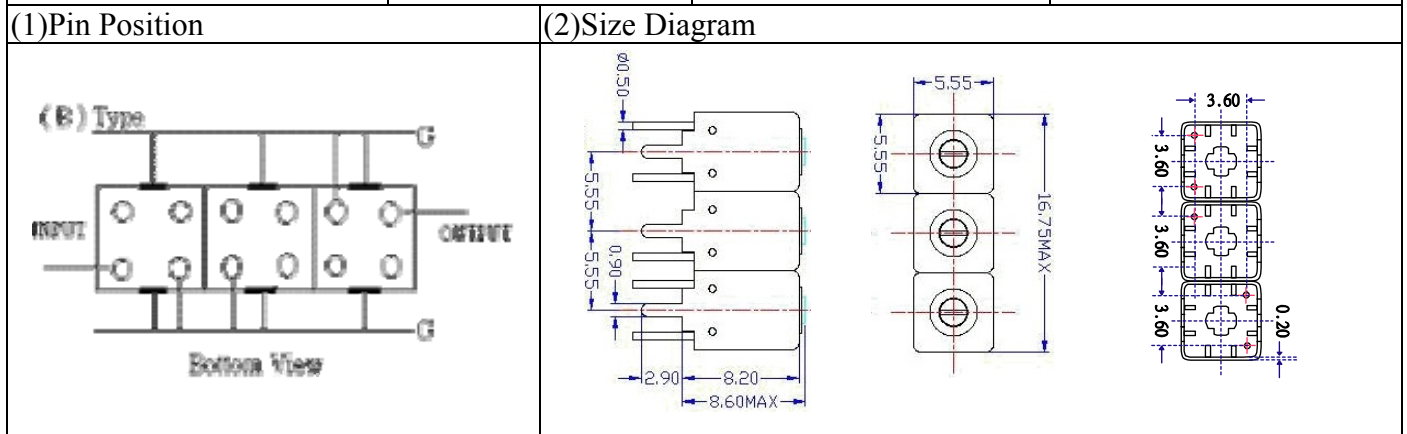


VHF UHF Helical Filter Specification Sheet

Customer Name		Temwell's Part No.	TTW3758B-1225M
Approval No. /dated	201407109CD	Temwell's Print Name.	3758B 1225M
Work Instruction No.	201407109CD	Date	Dec.08.2014



(3) Electric Character		Item	Specify	Performance
Center Freq.(Fo) +/- 0.5 %			1225 MHz	1225 MHz
Insertion Loss		Typ.	2.5 dB	1.69 dB
-3 dB Bandwidth		Typ.	60 MHz	69.3 MHz
Sensitivity (Attenuation)	Fo - 200 MHz	Typ.	50 dBc	55 dBc
	Fo + 200 MHz	Typ.	29 dBc	34 dBc
	Fo - ()MHz	Typ.	dBc	dBc
	Fo +()MHz	Typ.	dBc	dBc
Return Loss		Min.	12 dB	39.9 dB
Ripple			< 1 dB	dB
Impedance			In / Out : 50 Ω	In / Out : 50 Ω

(4) Torque for Tuning Screw > 60gf · cm

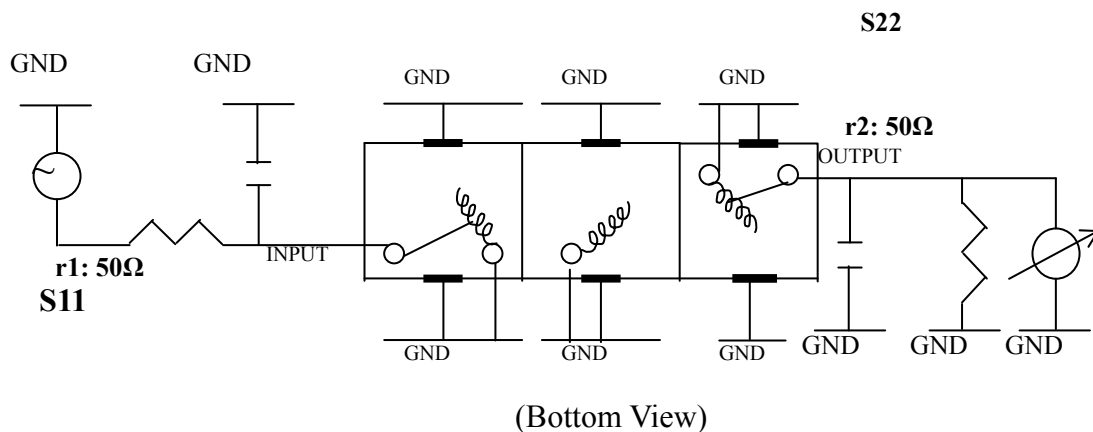
(5) Temperature Condition:

Operating Temperature 0°C ~ +60°C

Storage Temperature -20°C ~ +70°C

(6) Input Power > 0.5Watt

(7) Measuring Circuit: ※Easy to match Impedance S11/S22 50Ω by parallel with about(--) / (--).



Approval	Supervisor	Designer	Aperture size
C.Y.Chang	C.K.Chang	C.H.Yeh	5W3S(3.8*5.1)(5.10) 5HW046RB3.2

TEMWELL CORPORATION

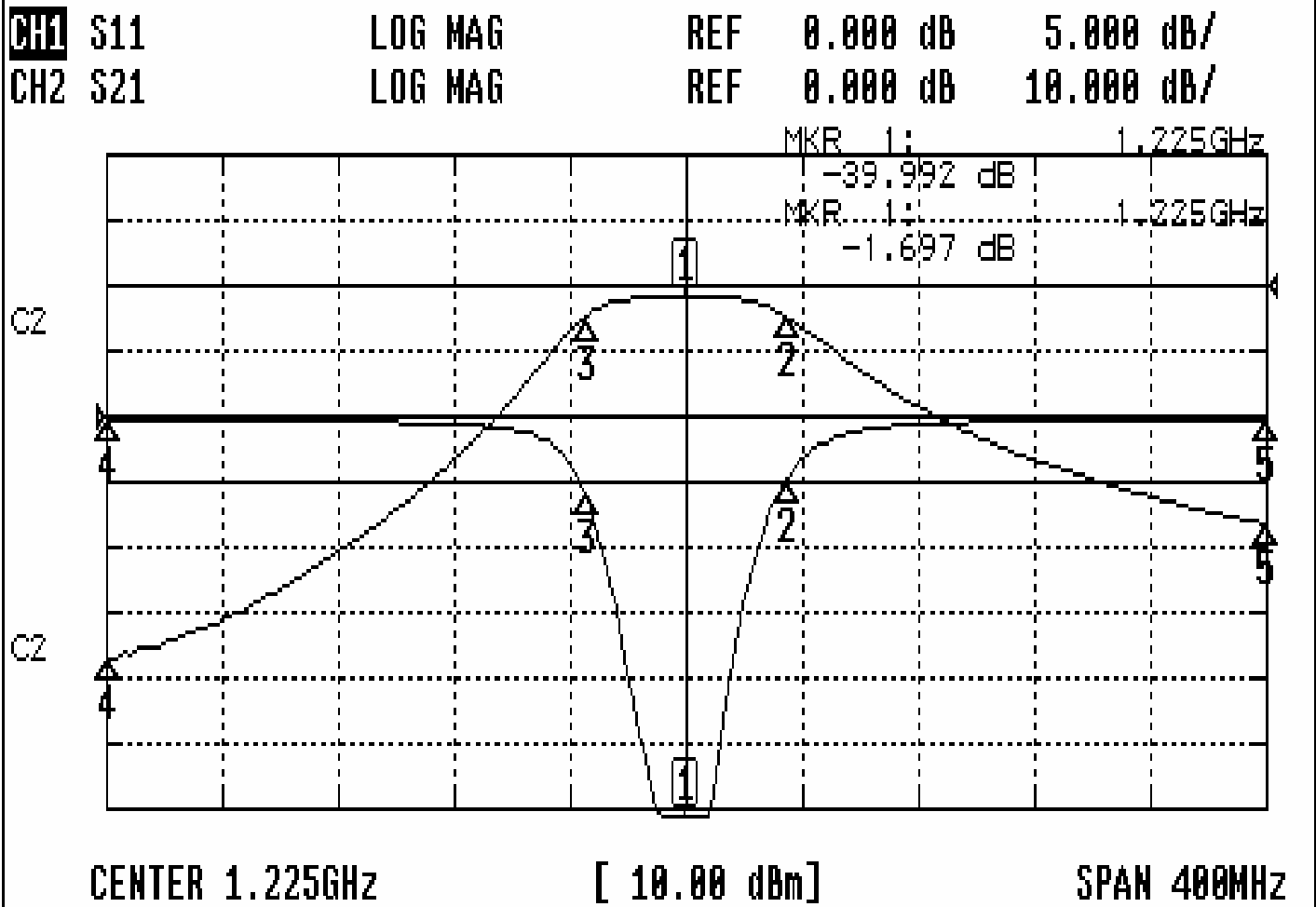
TEMWELL

Form10-5W3B Vision D

RP(C.H.Y)

Performance-TTW3758B-1225M

201407109CD



CH1 MARKER LIST

1:	1.225	000GHz	-39.992	dB
2:	1.259	666GHz	-4.849	dB
3:	1.190	333GHz	-5.880	dB
4:	1.025	000GHz	-0.241	dB
5:	1.425	000GHz	-0.296	dB

CH2 MARKER LIST

1:	1.225	000GHz	-1.697	dB
2:	1.259	666GHz	-4.698	dB
3:	1.190	333GHz	-4.673	dB
4:	1.025	000GHz	-36.924	dB
5:	1.425	000GHz	-36.499	dB