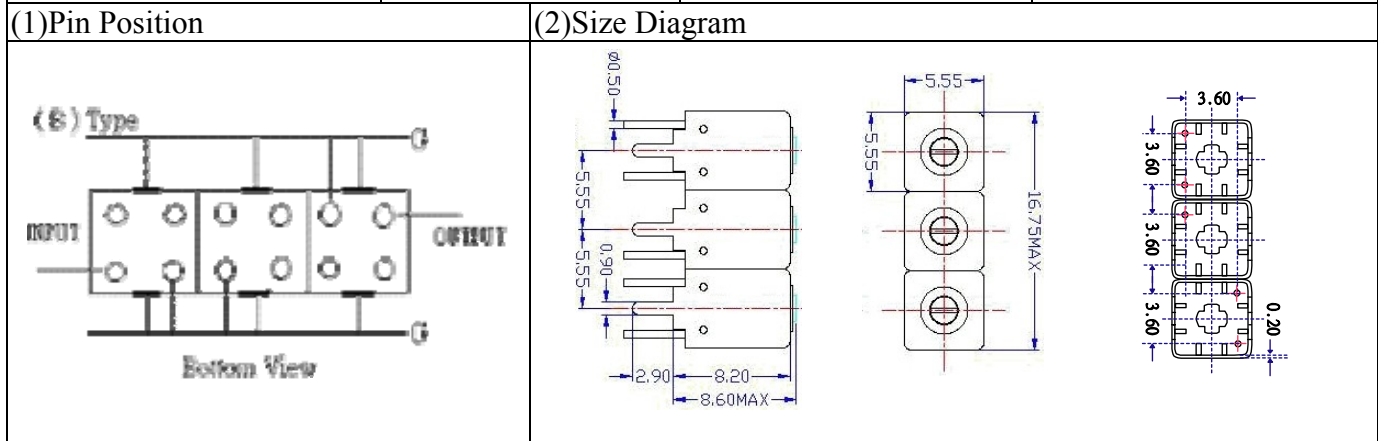


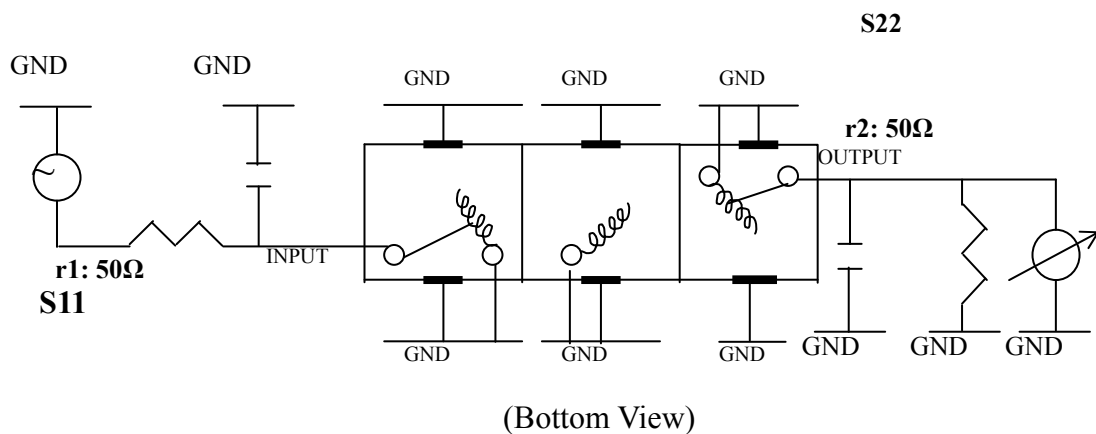
# VHF UHF Helical Filter Specification Sheet

Customer Name		Temwell's Part No.	TTW3753B-2225M
Approval No. /dated	201407144CD	Temwell's Print Name.	3753B 2225M
Work Instruction No.	201407144CD	Date	Dec.23.2014



(3) Electric Character		Specify	Performance
Center Freq.(Fo) +/- 0.5 %		2225 MHz	2225 MHz
Insertion Loss		Typ. 3.5 dB	2.64 dB
-3 dB Bandwidth		Typ. 57 MHz	75.6 MHz
Sensitivity (Attenuation)	Fo - 150 MHz	Typ. 31 dBc	36 dBc
	Fo + 150 MHz	Typ. 21 dBc	26 dBc
	Fo - ( )MHz	Typ. dBc	dBc
	Fo +( )MHz	Typ. dBc	dBc
Return Loss		Min. 12 dB	31.0 dB
Ripple		< 1 dB	dB
Impedance		In / Out : 50 Ω	In / Out : 50 Ω
(4) Torque for Tuning Screw		> 60gf · cm	
(5) Temperature Condition:			
Operating Temperature		0°C ~ +60°C	
Storage Temperature		-20°C ~ +70°C	
(6) Input Power		> 0.5Watt	

(7) Measuring Circuit: ※Easy to match Impedance S11/S22 50Ω by parallel with about( -- )



Approval C.Y.Chang	Supervisor C.K.Chang	Designer C.S.Chang	Aperture size 5W3S(3.8*4.5)(4.56) 5HW046RB3.2(J1)
-----------------------	-------------------------	-----------------------	---

TEMWELL CORPORATION

TEMWELL

Form10-5W3B Vision D

RP(C.S.C)

# Performance-TTW3753B-2225M

## 201407144CD

