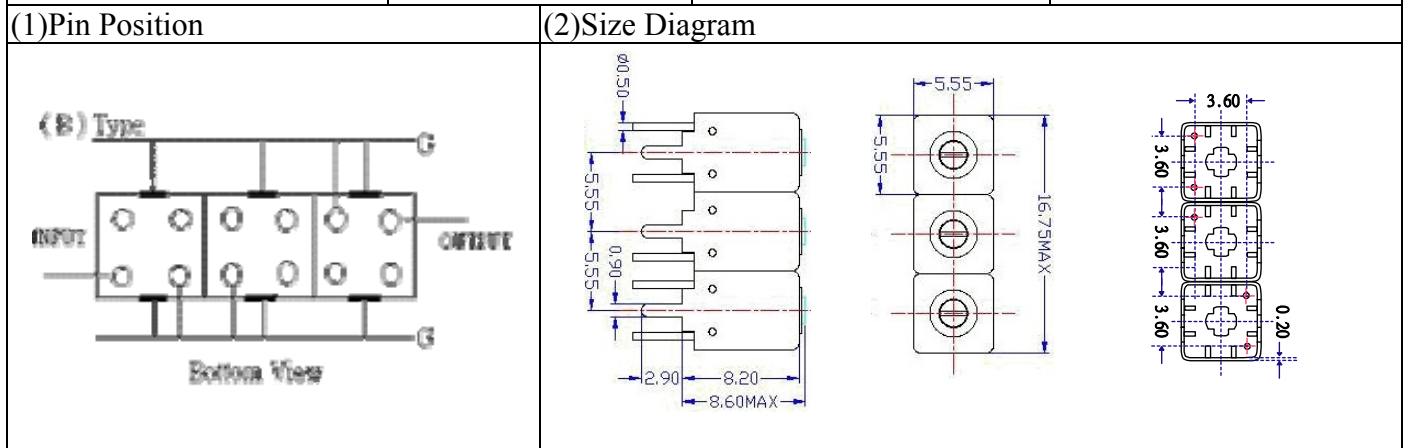


# VHF UHF Helical Filter Specification Sheet

Customer Name		Temwell's Part No.	TTW3744B-1575M
Approval No. /dated	201407124CD	Temwell's Print Name.	3744B 1575M
Work Instruction No.	201407124CD	Date	Dec.05.2014



(3) Electric Character			
Item		Specify	Performance
Center Freq.(Fo) +/- 0.5 %		1575 MHz	1575 MHz
Insertion Loss		Typ. 3.0 dB	1.98 dB
-3 dB Bandwidth		Typ. 54 MHz	64.2 MHz
Sensitivity (Attenuation)	Fo - 100 MHz	Typ. 25 dBc	28 dBc
	Fo + 100 MHz	Typ. 16 dBc	19 dBc
	Fo - ( )MHz	Typ. dBc	dBc
	Fo +( )MHz	Typ. dBc	dBc
Return Loss		Min. 12 dB	27.8 dB
Ripple		< 1 dB	dB
Impedance		In / Out : 50 Ω	In / Out : 50 Ω

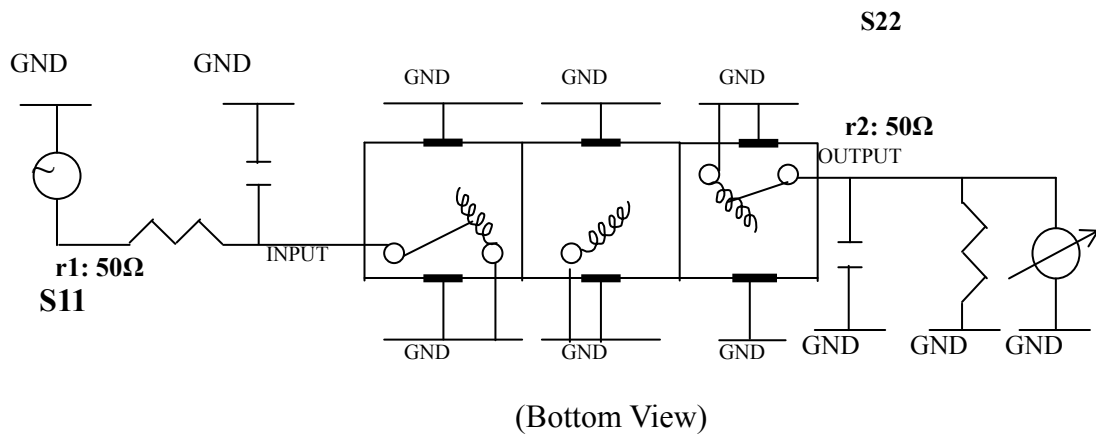
(4) Torque for Tuning Screw > 60gf · cm

(5) Temperature Condition:

Operating Temperature	0°C ~ +60°C
Storage Temperature	-20°C ~ +70°C

(6) Input Power > 0.5Watt

(7) Measuring Circuit: ※Easy to match Impedance S11/S22 50Ω by parallel with about( -- ) / ( -- ).

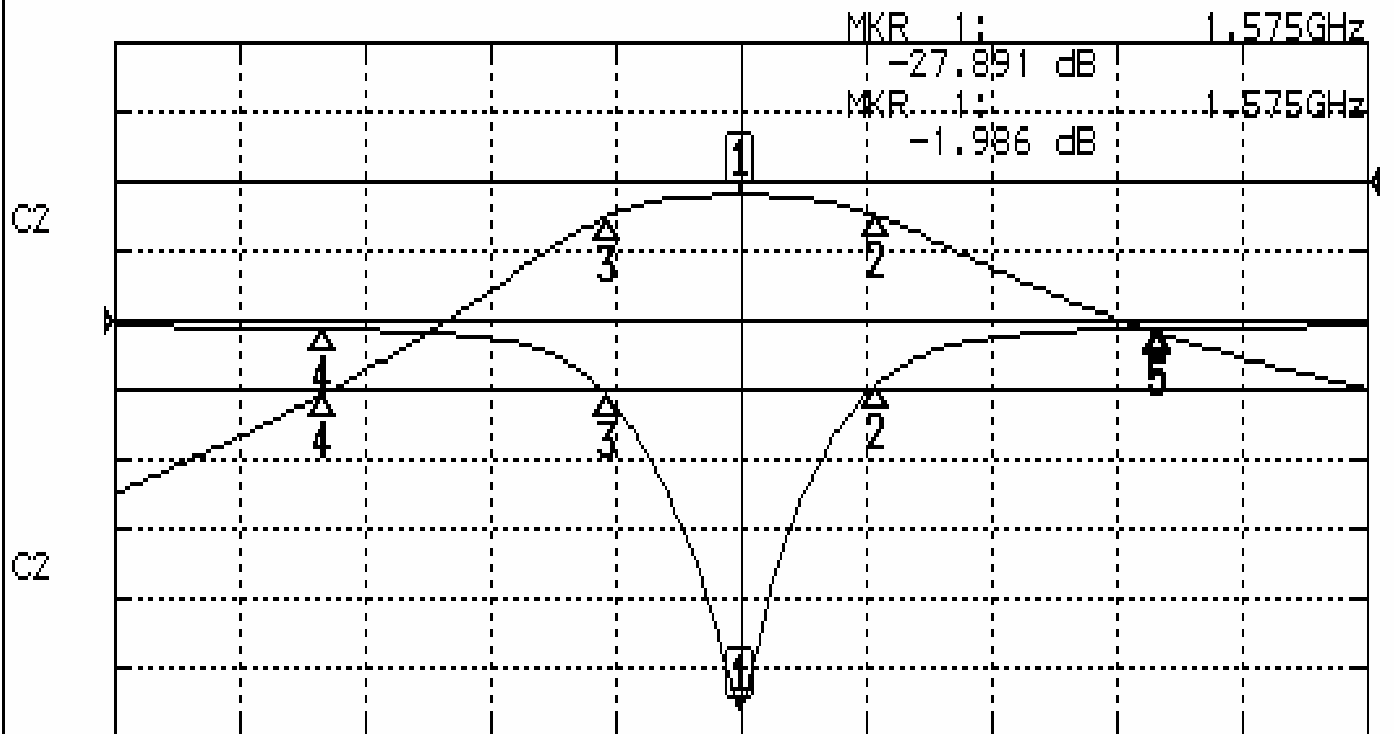


Approval	Supervisor	Designer	Aperture size
C.Y.Chang	C.K.Chang	J.Yang	5W3S(3.8*4.5)(4.58) 5HW046RB3.2

# Performance-TTW3744B-1575M

## 201407124CD

CH1 S11 LOG MAG REF 0.000 dB 5.000 dB/  
CH2 S21 LOG MAG REF 0.000 dB 10.000 dB/



CENTER 1.575GHz

[ 10.00 dBm ]

SPAN 300MHz

### CH1 MARKER LIST

1:	1.575	000GHz	-27.891	dB
2:	1.607	500GHz	-4.656	dB
3:	1.543	250GHz	-5.433	dB
4:	1.475	000GHz	-0.603	dB
5:	1.675	000GHz	-0.557	dB

### CH2 MARKER LIST

1:	1.575	000GHz	-1.986	dB
2:	1.607	500GHz	-4.970	dB
3:	1.543	250GHz	-4.944	dB
4:	1.475	000GHz	-30.513	dB
5:	1.675	000GHz	-21.795	dB