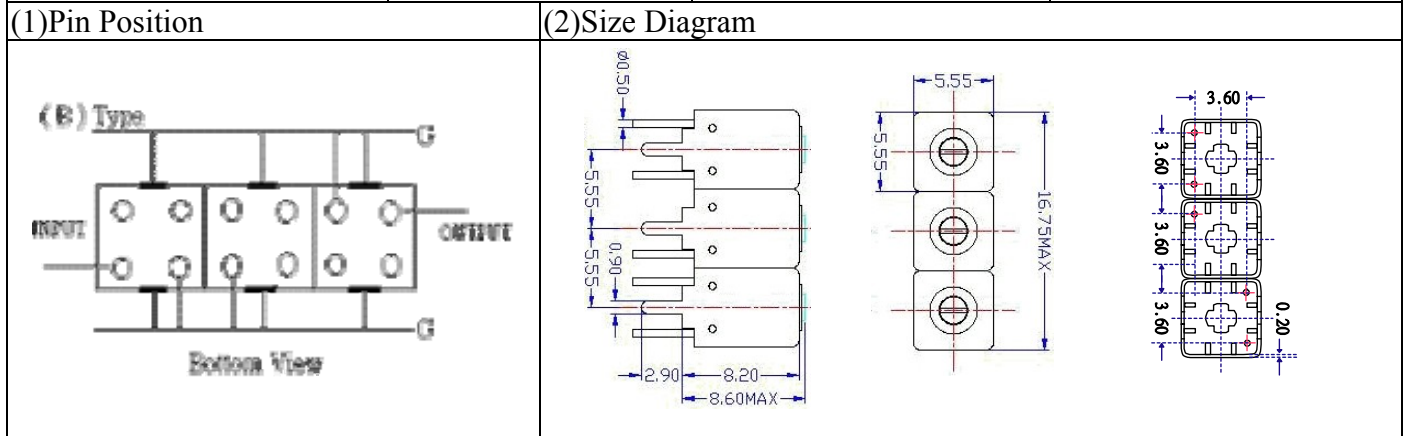
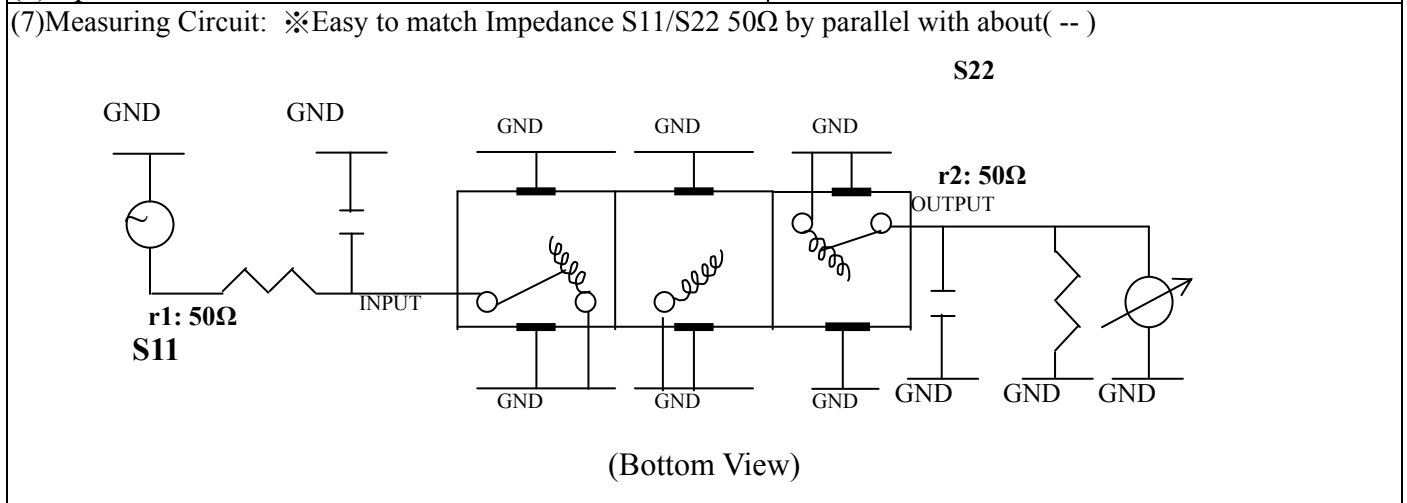


VHF UHF Helical Filter Specification Sheet

| | | | |
|----------------------|-------------|-----------------------|----------------|
| Customer Name | | Temwell's Part No. | TTW3734B-2275M |
| Approval No. /dated | 201407147CD | Temwell's Print Name. | 3734B 2275M |
| Work Instruction No. | 201407147CD | Date | Dec.28.2014 |



| (3) Electric Character | | | |
|------------------------------|-----------------|-----------------|-----|
| Item | Specify | Performance | |
| Center Freq.(Fo) +/- 0.5 % | 2275 MHz | 2275 | MHz |
| Insertion Loss | Typ. 4.0 dB | 2.73 | dB |
| -3 dB Bandwidth | Typ. 50 MHz | 68.9 | MHz |
| Sensitivity (Attenuation) | Fo - 150 MHz | Typ. 32 | dBc |
| | Fo + 150 MHz | Typ. 25 | dBc |
| | Fo - ()MHz | Typ. | dBc |
| | Fo +()MHz | Typ. | dBc |
| Return Loss | Min. 12 dB | 27.1 | dB |
| Ripple | < 1 dB | | dB |
| Impedance | In / Out : 50 Ω | In / Out : 50 Ω | |
| (4) Torque for Tuning Screw | | | |
| | | > 60gf • cm | |
| (5) Temperature Condition: | | | |
| Operating Temperature | | 0°C ~ +60°C | |
| Storage Temperature | | -20°C ~ +70°C | |
| (6) Input Power | | > 0.5Watt | |



| | | | |
|-----------------------|-------------------------|-----------------------|---|
| Approval C.Y.Chang | Supervisor C.K.Chang | Designer C.S.Chang | Aperture size 5W3S(3.8*3.5)(3.56) 5HW046RB3.2(J1) |
|-----------------------|-------------------------|-----------------------|---|

TEMWELL CORPORATION

Performance-TTW3734B-2275M

201407147CD

