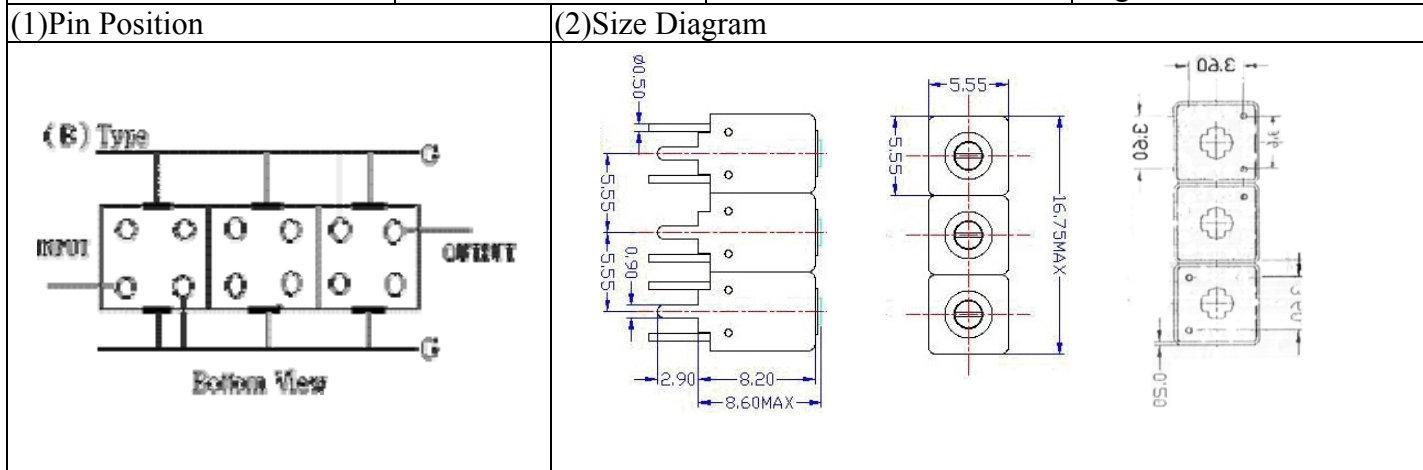


VHF UHF Helical Filter Specification Sheet

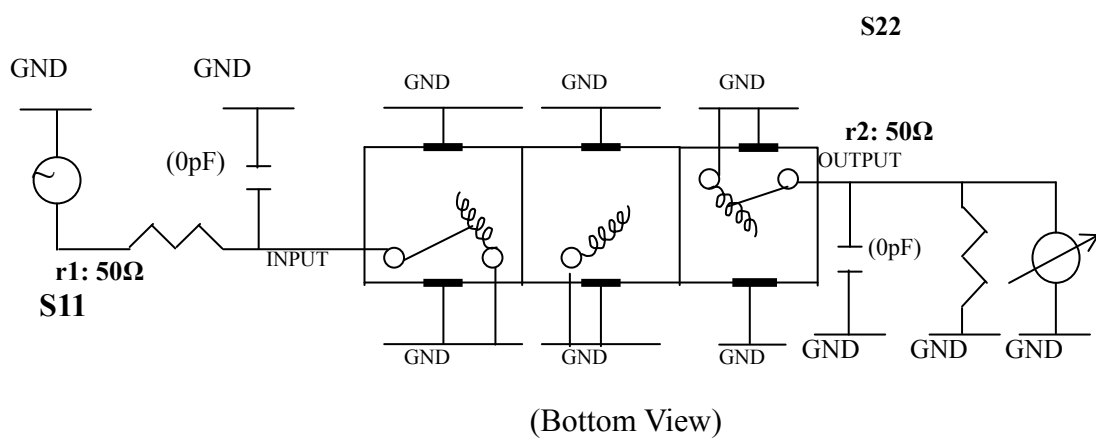
Customer Name		Temwell's Part No.	TTW3732B-1825M
Approval No. /dated	0907041CD	Temwell's Print Name.	3732B 1825M
Work Instruction No.	200907041CD	Date	Aug.13.2009



(3) Electric Character

Item	Specify	Performance
Center Freq.(Fo) +/- 0.5 %	1825 MHz	1825 MHz
Insertion Loss	Typ. 4.0 dB	3.09 dB
-3 dB Bandwidth	Typ. 42 MHz	54.5 MHz
Sensitivity (Attenuation)	Fo - 100 MHz	Typ. 34 dBc
	Fo + 100 MHz	Typ. 25 dBc
	Fo - ()MHz	Typ. dBc
	Fo +()MHz	Typ. dBc
Return Loss	Min. 12 dB	22.9 dB
Ripple	< 1 dB	dB
Impedance	In / Out : 50 Ω	In / Out : 50 Ω
(4) Torque for Tuning Screw	> 60gf · cm	
(5) Temperature Condition:		
Operating Temperature	0°C ~ +60°C	
Storage Temperature	-20°C ~ +70°C	
(6) Input Power	> 0.5Watt	

(7) Measuring Circuit: ※Easy to match Impedance S11/S22 50Ω by parallel with about(0pF) / (0pF).



Approval	Supervisor	Designer	Aperture size
C.Y.Chang	C.K.Chang	C.S.Chang	5W3S(3.8*3.5)*(3.62) 5HW046RB3.2

TEMWELL CORPORATION

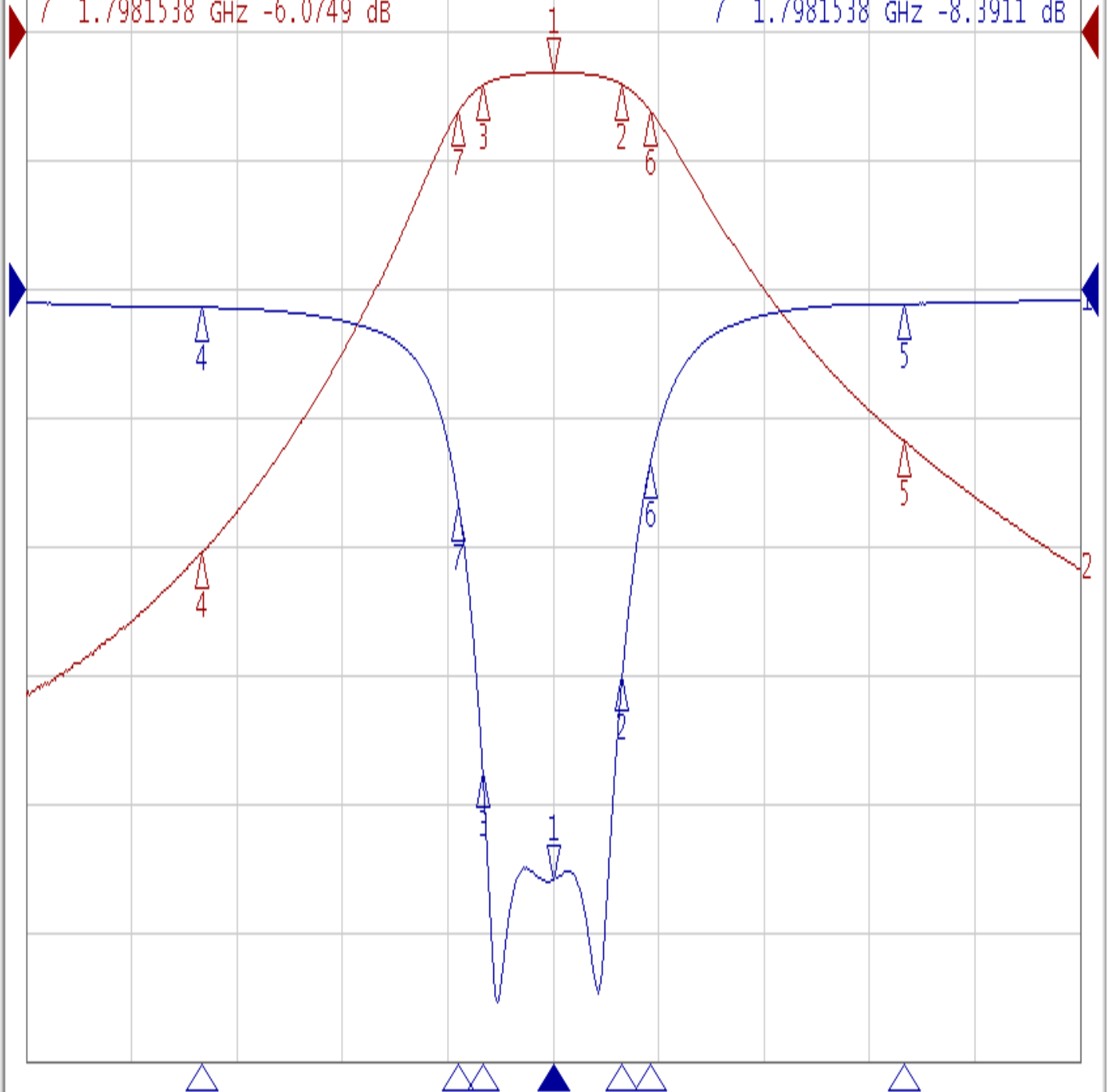
Performance-TTW3732B-1825M

200907041CD

▶ Tr1 S11 Log Mag 5.000dB/ Ref 0.000dB [F2]
Tr2 S21 Log Mag 10.00dB/ Ref 0.000dB [F2]

1	1.8250000	GHz	-3.0917	dB
2	1.8446220	GHz	-4.0430	dB
3	1.8050225	GHz	-4.0950	dB
4	1.7250000	GHz	-40.434	dB
5	1.9250000	GHz	-31.808	dB
6	1.8526030	GHz	-6.0494	dB
7	1.7981538	GHz	-6.0749	dB

>1	1.8250000	GHz	-22.944	dB
2	1.8446220	GHz	-15.031	dB
3	1.8050225	GHz	-18.807	dB
4	1.7250000	GHz	-0.6913	dB
5	1.9250000	GHz	-0.5417	dB
6	1.8526030	GHz	-6.7823	dB
7	1.7981538	GHz	-8.3911	dB



1 Center 1.825 GHz

IFBW 10 kHz

Span 300 MHz Cor !