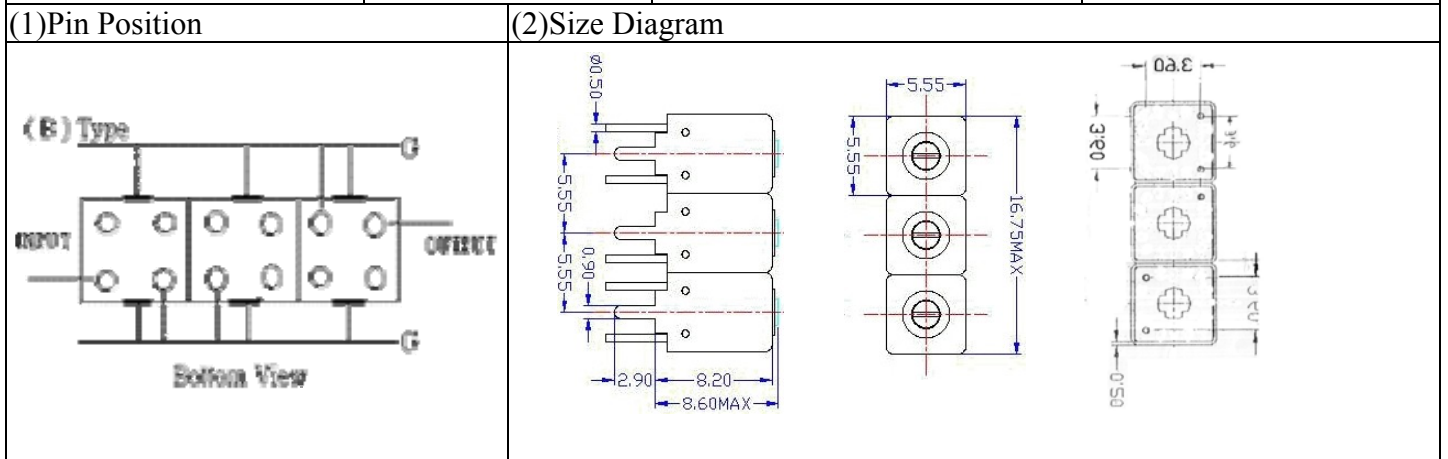


VHF UHF Helical Filter Specification Sheet

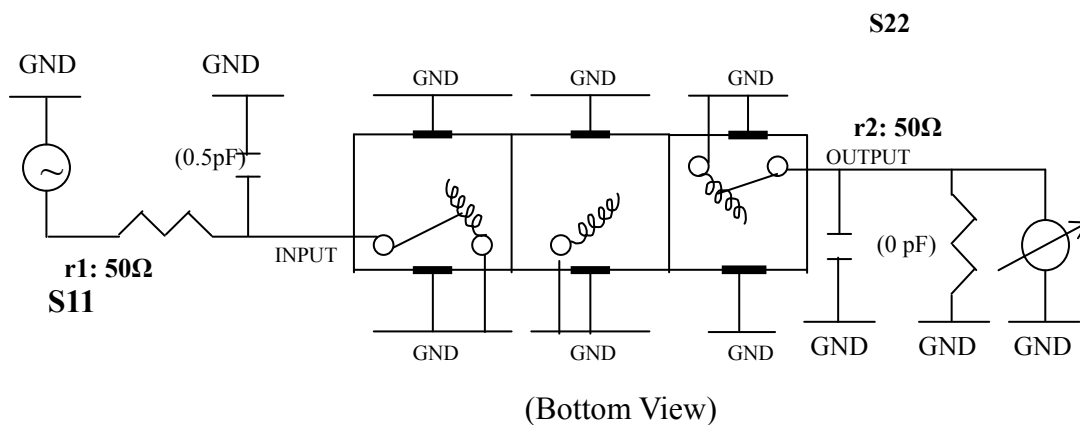
Customer Name		Temwell's Part No.	TTW3729B-1275M
Approval No. /dated	0510092APR	Acceptable Specify Fo Range	1251~1300 MHz
Work Instruction No.	0510092DC	Date	Jan.25.2006



(3) Electric Character		Item		Specify		Performance	
Center Freq (Fo) +/-0.5%				1275 MHz		1275 MHz	
Tunable Range				1275±5 MHz		1275±5 MHz	
Insertion Loss		Typ.		3.5 dB		2.16 dB	
-3 dB Bandwidth		Typ.		40 MHz		52.3 MHz	
Sensitivity (Attenuation)	Fo - 150 MHz	Typ.		42 dBc		45 dBc	
	Fo + 150 MHz	Typ.		30 dBc		33 dBc	
	Fo - ()MHz	Typ.		dBc		dBc	
	Fo +()MHz	Typ.		dBc		dBc	
Return Loss		Min.		12 dB		17.5 dB	
Ripple				< 1 dB		dB	
Impedance				In / Out : 50 Ω		In / Out : 50 Ω	

(4) Torque for Tuning Screw	> 60gf · cm
(5) Temperature Condition:	
Operating Temperature	0°C ~ +60°C
Storage Temperature	-20°C ~ +70°C
(6) Input Power	>0.5 Watt

(7) Measuring Circuit: ※Easy to match Impedance S11/S22 50Ω/ by parallel with about(0.5pF) / (0 pF).

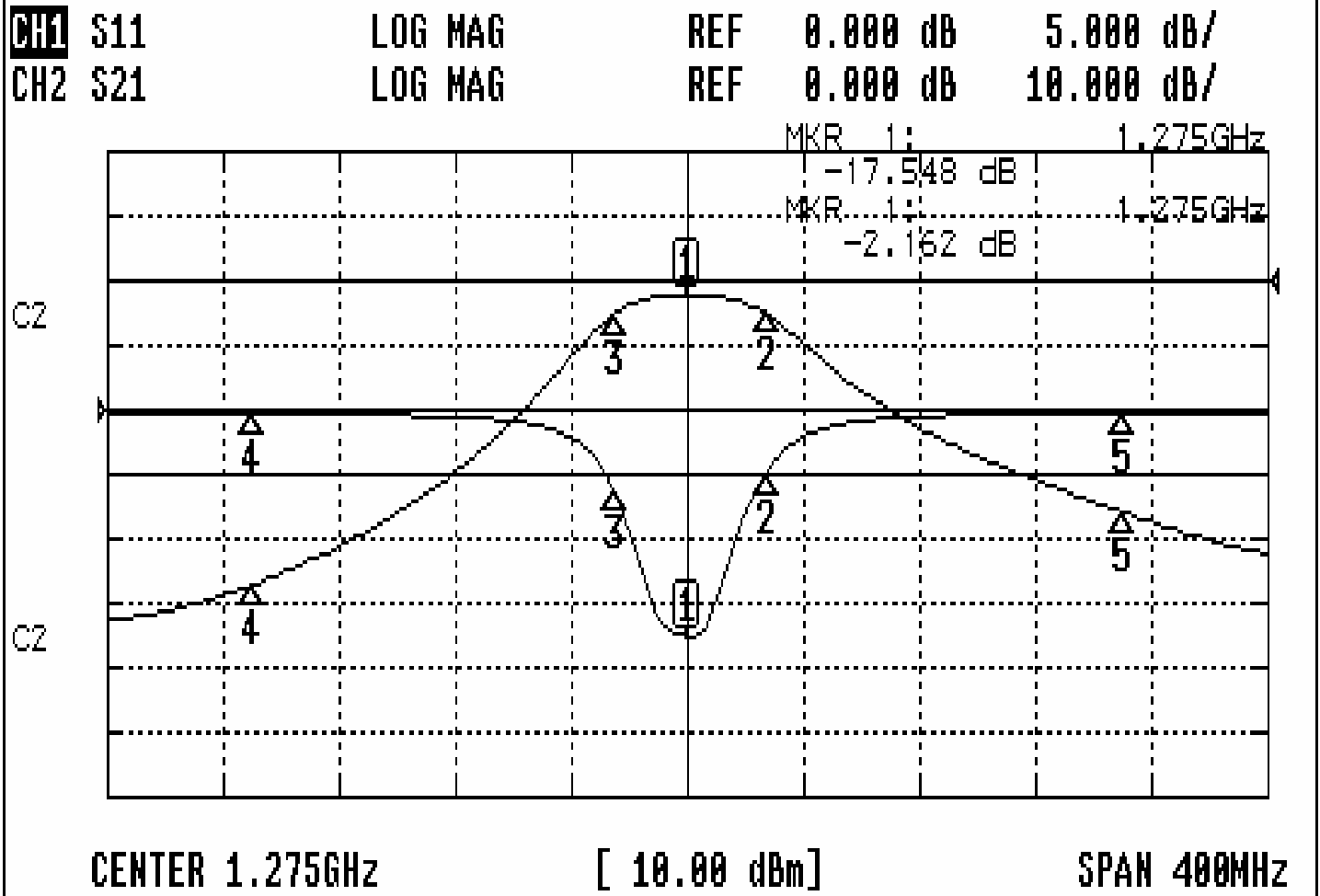


Approval	Supervisor	Designer	Aperture size
C.Y. Chang	C.S. Chang	W.W. Wang	5W3S(3.8*4.0)(4.3) 5HW046RB3.2

TEMWELL CORPORATION

Performance-TTW3729B-1275M

0510092DC



CH1 MARKER LIST

1	1.275	000GHz	-17.554	dB
2	1.302	333GHz	-4.838	dB
3	1.250	000GHz	-6.291	dB
4	1.125	000GHz	-0.278	dB
5	1.425	000GHz	-0.226	dB

CH2 MARKER LIST

1	1.275	000GHz	-2.162	dB
2	1.302	333GHz	-5.173	dB
3	1.250	000GHz	-5.111	dB
4	1.125	000GHz	-47.141	dB
5	1.425	000GHz	-35.873	dB