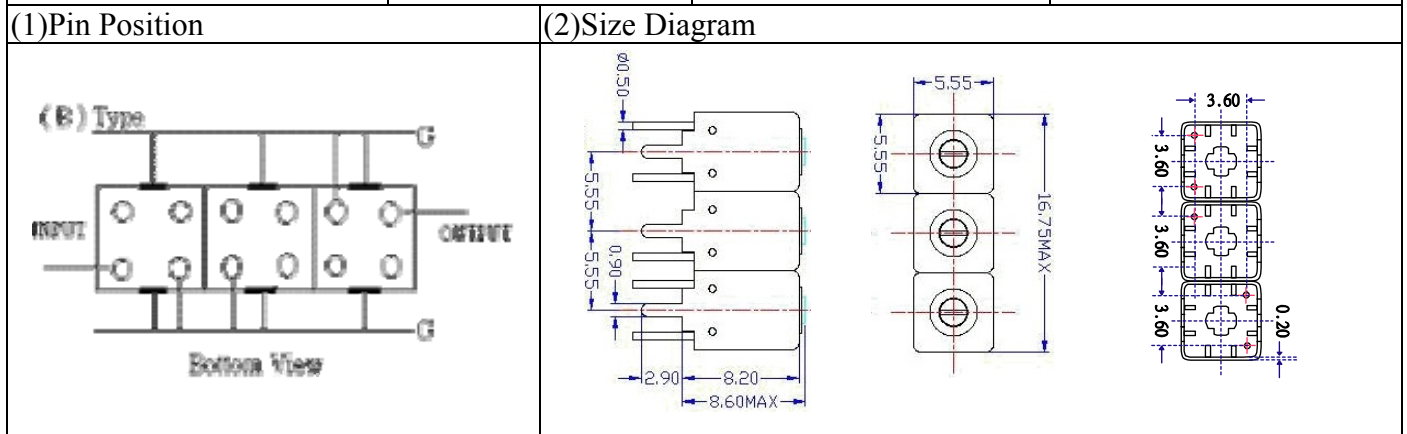


# VHF UHF Helical Filter Specification Sheet

Customer Name		Temwell's Part No.	TTW3728B-1225M
Approval No. /dated	201407107CD	Temwell's Print Name.	3728B 1225M
Work Instruction No.	201407107CD	Date	Nov.20.2014



(3) Electric Character			
Item		Specify	Performance
Center Freq.(Fo) +/- 0.5 %		1225 MHz	1225 MHz
Insertion Loss		Typ. 3.0 dB	2.24 dB
-3 dB Bandwidth		Typ. 40 MHz	49.8 MHz
Sensitivity (Attenuation)	Fo - 200 MHz	Typ. 52 dBc	57 dBc
	Fo + 200 MHz	Typ. 43 dBc	48 dBc
	Fo - ( )MHz	Typ. dBc	dBc
	Fo +( )MHz	Typ. dBc	dBc
Return Loss		Min. 12 dB	23.6 dB
Ripple		< 1 dB	dB
Impedance		In / Out : 50 Ω	In / Out : 50 Ω

(4) Torque for Tuning Screw > 60gf · cm

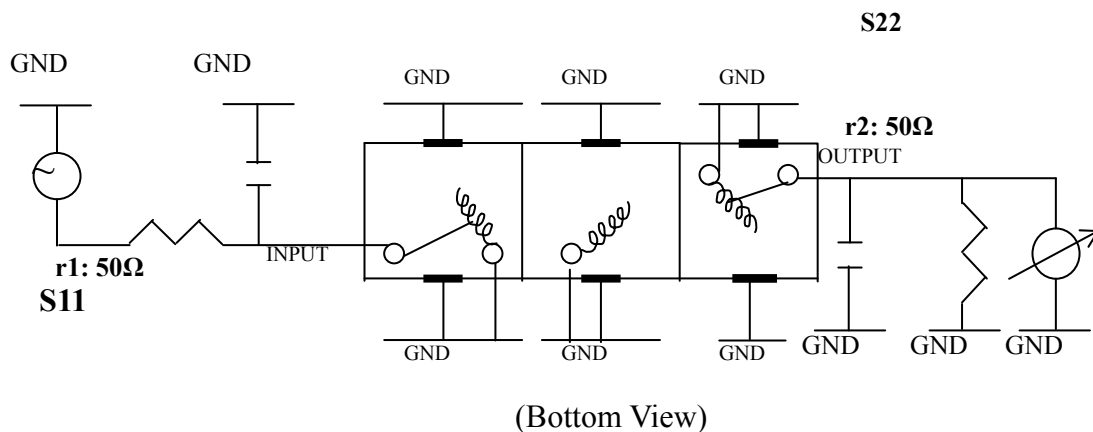
(5) Temperature Condition:

Operating Temperature 0°C ~ +60°C

Storage Temperature -20°C ~ +70°C

(6) Input Power > 0.5Watt

(7) Measuring Circuit: ※Easy to match Impedance S11/S22 50Ω by parallel with about( -- ) / ( -- ).



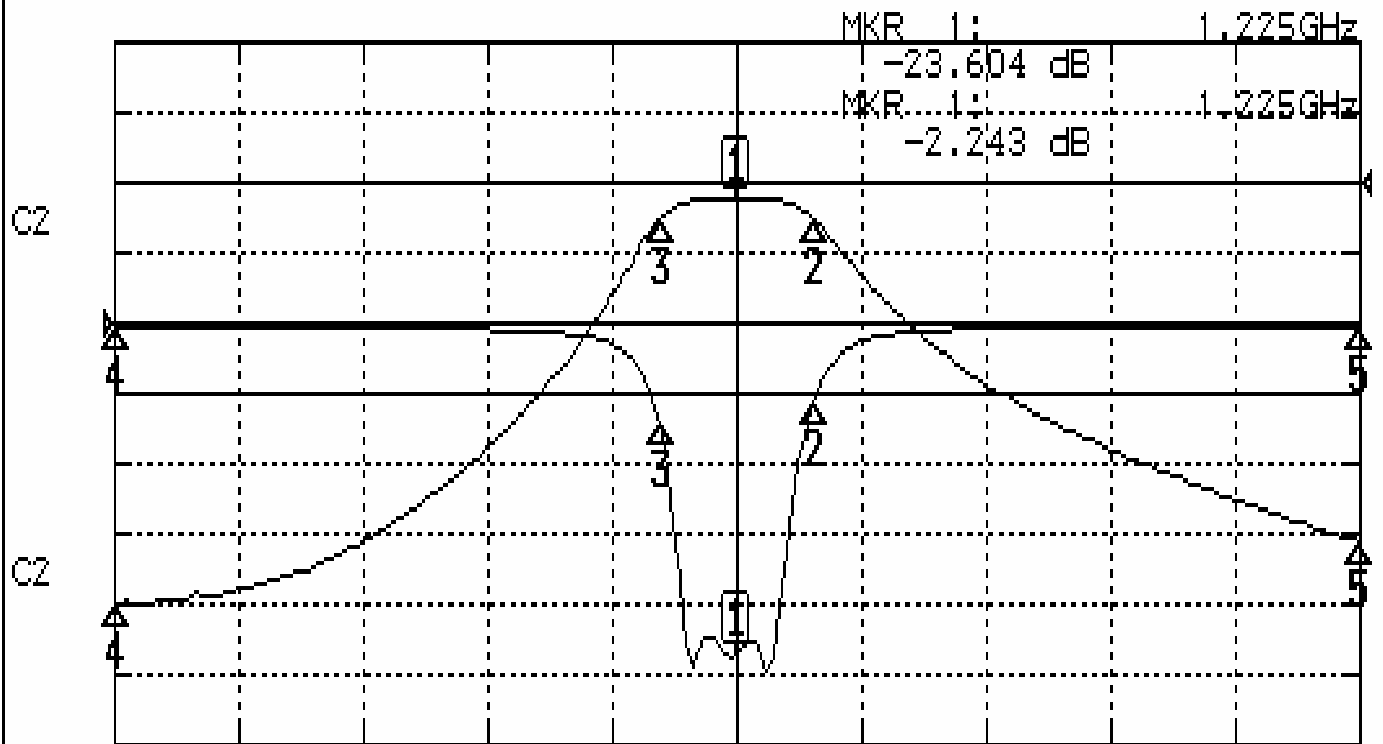
Approval	Supervisor	Designer	Aperture size
C.Y.Chang	C.K.Chang	C.H.Yeh	5W3S(3.8*4.5)(4.55) 5HW02RB3

TEMWELL CORPORATION

# Performance-TTW3728B-1225M

## 201407107CD

CH1 S11 LOG MAG REF 0.000 dB 5.000 dB/  
CH2 S21 LOG MAG REF 0.000 dB 10.000 dB/



CENTER 1.225GHz

[ 10.00 dBm ]

SPAN 400MHz

### CH1 MARKER LIST

Marker	Frequency (GHz)	Magnitude (dB)
1:	1.225 000GHz	-23.604 dB
2:	1.250 000GHz	-5.576 dB
3:	1.200 200GHz	-7.192 dB
4:	1.025 000GHz	-0.206 dB
5:	1.425 000GHz	-0.274 dB

### CH2 MARKER LIST

Marker	Frequency (GHz)	Magnitude (dB)
1:	1.225 000GHz	-2.243 dB
2:	1.250 000GHz	-5.275 dB
3:	1.200 200GHz	-5.259 dB
4:	1.025 000GHz	-60.035 dB
5:	1.425 000GHz	-51.176 dB