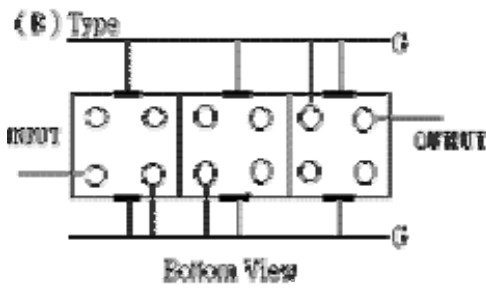
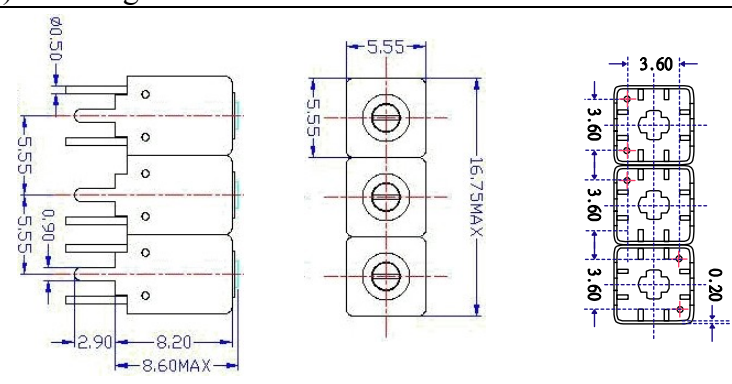


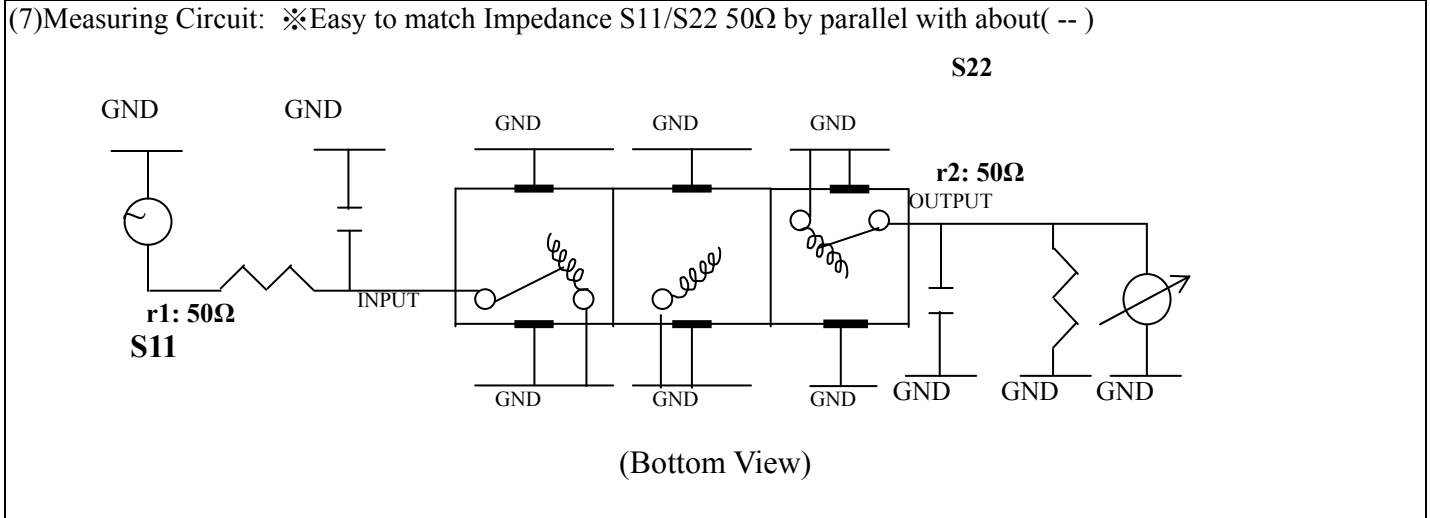
VHF UHF Helical Filter Specification Sheet

Customer Name		Temwell's Part No.	TTW3724B-2325M
Approval No. /dated	201407149CD	Temwell's Print Name.	3724B 2325M
Work Instruction No.	201407149CD	Date	Dec.29.2014

<p>(1) Pin Position</p>  <p style="text-align: center;">Bottom View</p>	<p>(2) Size Diagram</p> 
--	--

(3) Electric Character

Item	Specify	Performance
Center Freq.(Fo) +/- 0.5 %	2325 MHz	2325 MHz
Insertion Loss	Typ. 4.5 dB	3.55 dB
-3 dB Bandwidth	Typ. 36 MHz	56.7 MHz
Sensitivity (Attenuation)	Fo - 150 MHz	Typ. 33 dBc
	Fo + 150 MHz	Typ. 25 dBc
	Fo - ()MHz	Typ. dBc
	Fo + ()MHz	Typ. dBc
Return Loss	Min. 12 dB	21.3 dB
Ripple	< 1 dB	dB
Impedance	In / Out : 50 Ω	In / Out : 50 Ω
(4) Torque for Tuning Screw	> 60gf • cm	
(5) Temperature Condition:		
Operating Temperature	0°C ~ +60°C	
Storage Temperature	-20°C ~ +70°C	
(6) Input Power	> 0.5Watt	



Approval C.Y.Chang	Supervisor C.K.Chang	Designer C.S.Chang	Aperture size 5W3S(3.8*3.5)(3.56) 5HW046RB3.2(J1)
-----------------------	-------------------------	-----------------------	---

Performance-TTW3724B-2325M

201407149CD

