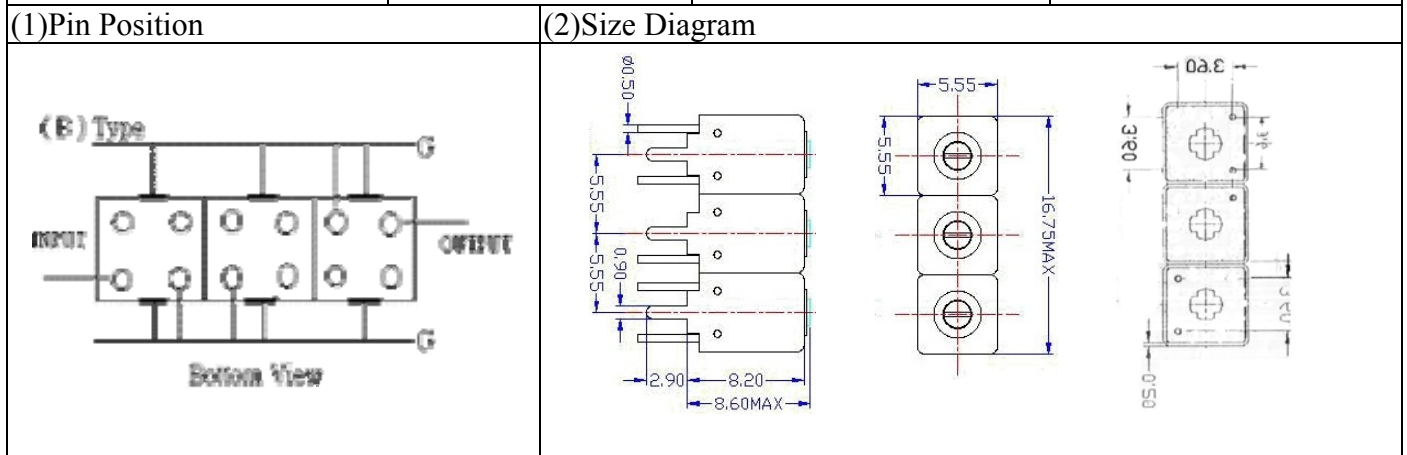


VHF UHF Helical Filter Specification Sheet

Customer Name		Temwell's Part No.	TTW3717B-1675M
Approval No. /dated	0904051CD	Temwell's Print Name.	3717B 1675M
Work Instruction No.	200904051CD	Date	Jul.06.2009



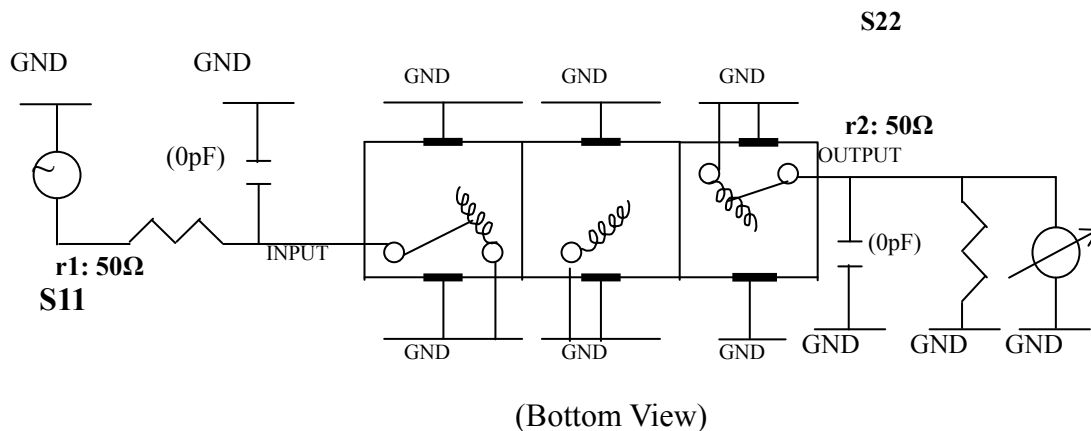
Item		Specify		Performance	
Center Freq.(Fo) +/- 0.5 %		1675	MHz	1675	MHz
Insertion Loss		Typ. 4.5	dB	3.85	dB
-3 dB Bandwidth		Typ. 32	MHz	46.1	MHz
Sensitivity (Attenuation)	Fo - 100 MHz	Typ. 40	dBc	43	dBc
	Fo + 100 MHz	Typ. 29	dBc	32	dBc
	Fo - ()MHz	Typ.	dBc		dBc
	Fo +()MHz	Typ.	dBc		dBc
Return Loss		Min. 12	dB	33.4	dB
Ripple		< 1	dB		dB
Impedance		In / Out : 50 Ω		In / Out : 50 Ω	

(4) Torque for Tuning Screw > 60gf · cm

(5) Temperature Condition:	
Operating Temperature	0°C ~ +60°C
Storage Temperature	-20°C ~ +70°C

(6) Input Power > 0.5Watt

(7) Measuring Circuit: ※Easy to match Impedance S11/S22 50Ω by parallel with about(0pF) / (0pF).



Approval	Supervisor	Designer	Aperture size
C.Y.Chang	C.K.Chang	C.S.Chang	5W3(3.8*3.5)(3.61) 5HW046RB3.2

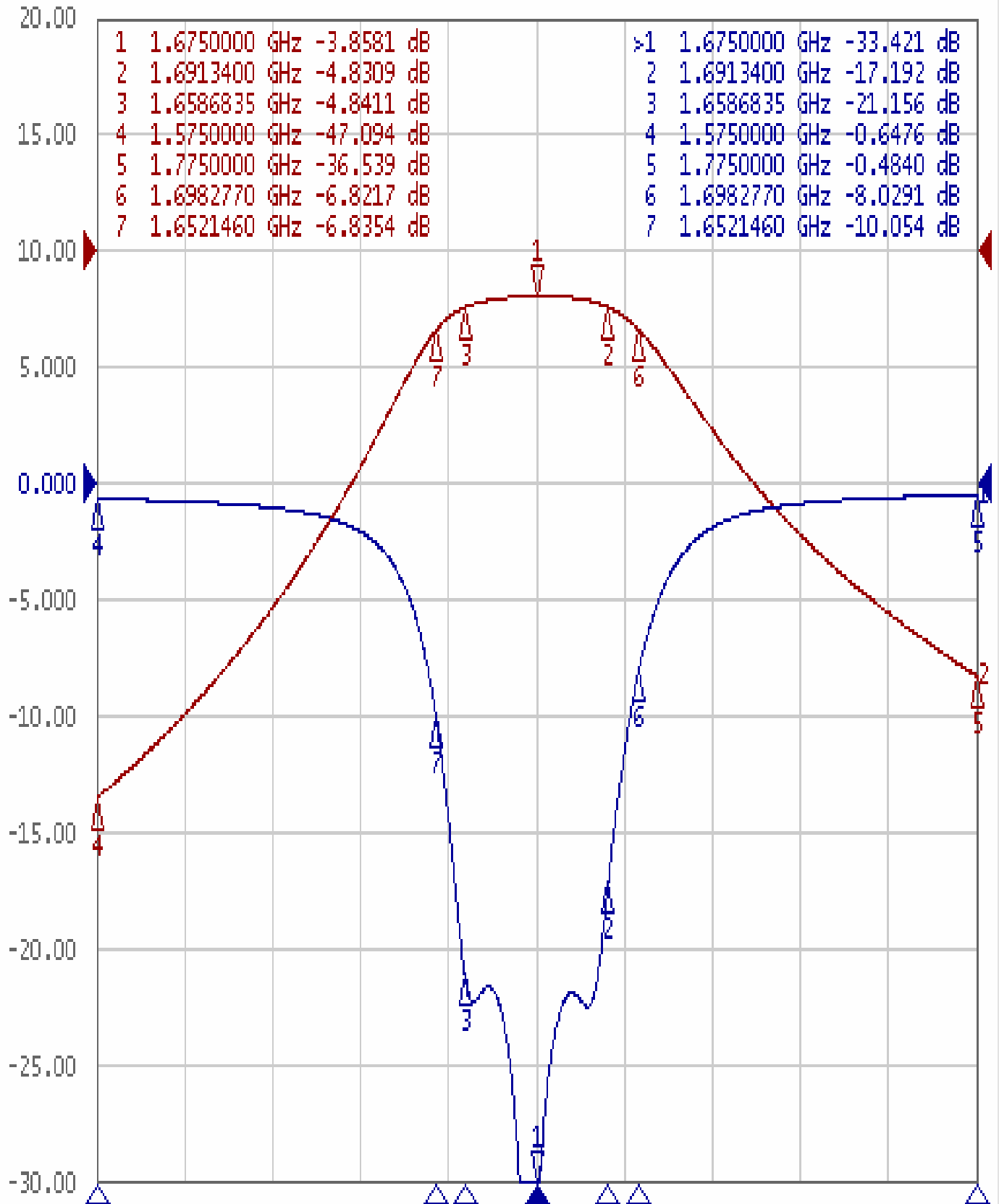
TEMWELL CORPORATION

Performance-TTW3717B-1675M

200904051CD

Tr1 S11 Log Mag 5.000dB/ Ref 0.000dB [F3]

Tr2 S21 Log Mag 10.00dB/ Ref 0.000dB [F3]



1 Center 1.675 GHz

IFBW 10 kHz

Span 200 MHz