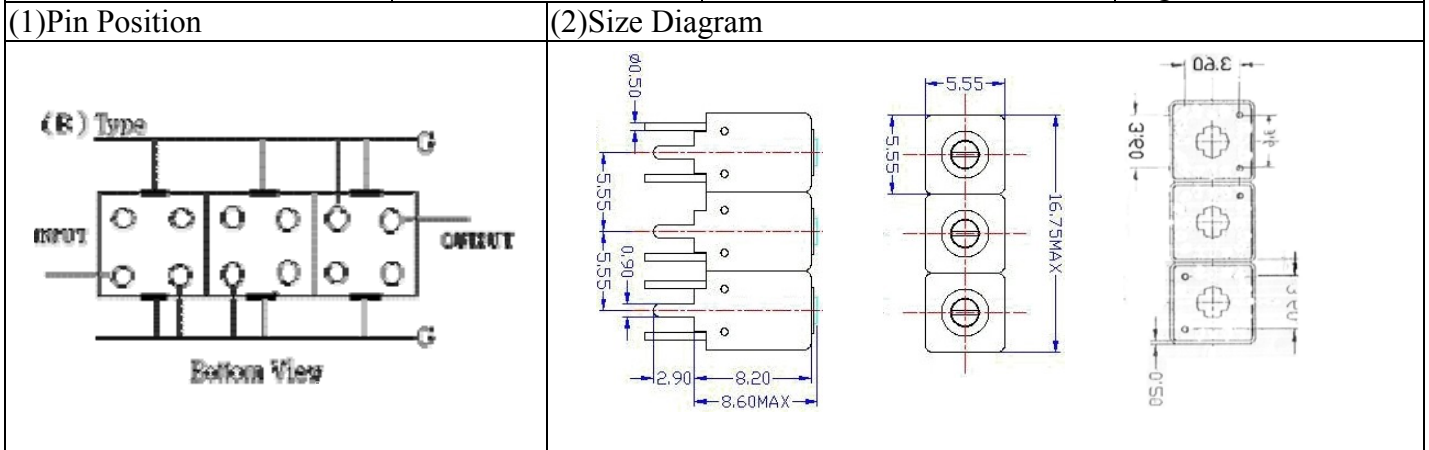


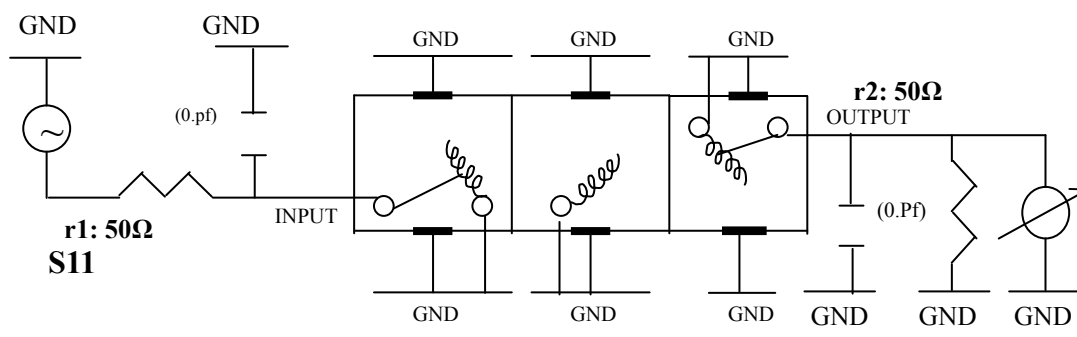
# VHF UHF Helical Filter Specification Sheet

Customer Name		Temwell's Part No.	TTW3706B-2075M
Approval No. /dated	0907045CD	Temwell's print .Name.	3706B 2075M
Work Instruction No.	200907045CD	Date	Aug.19.2009



(3) Electric Characteristic			
Item		Specify	Performance
Center Freq.(Fo) +/- 0.5 %		2075 MHz	2075 MHz
Insertion Loss		Typ. 4.5 dB	4.04 dB
-3 dB Bandwidth		Typ. 35 MHz	50.0 MHz
Sensitivity (Attenuation)	Fo - 100 MHz	Typ. 31 dBc	35 dBc
	Fo + 100 MHz	Typ. 23 dBc	25 dBc
	Fo - ( )MHz	Typ. dBc	dBc
	Fo + ( )MHz	Typ. dBc	dBc
Return Loss		Min. 12 dB	23.9 dB
Ripple		< 1 dB	dB
Impedance		In / Out : 50 Ω	In / Out : 50 Ω
(4) Torque for Tuning Screw		> 60gf • cm	
(5) Temperature Condition:			
Operating Temperature		0°C ~ +60°C	
Storage Temperature		-20°C ~ +70°C	
(6) Input Power		> 0.5Watt	

(7) Measuring Circuit: ※Easy to match Impedance S11/S22 50Ω/ by parallel with about (0pF) / ( 0 pF).  
S22



(Bottom View)

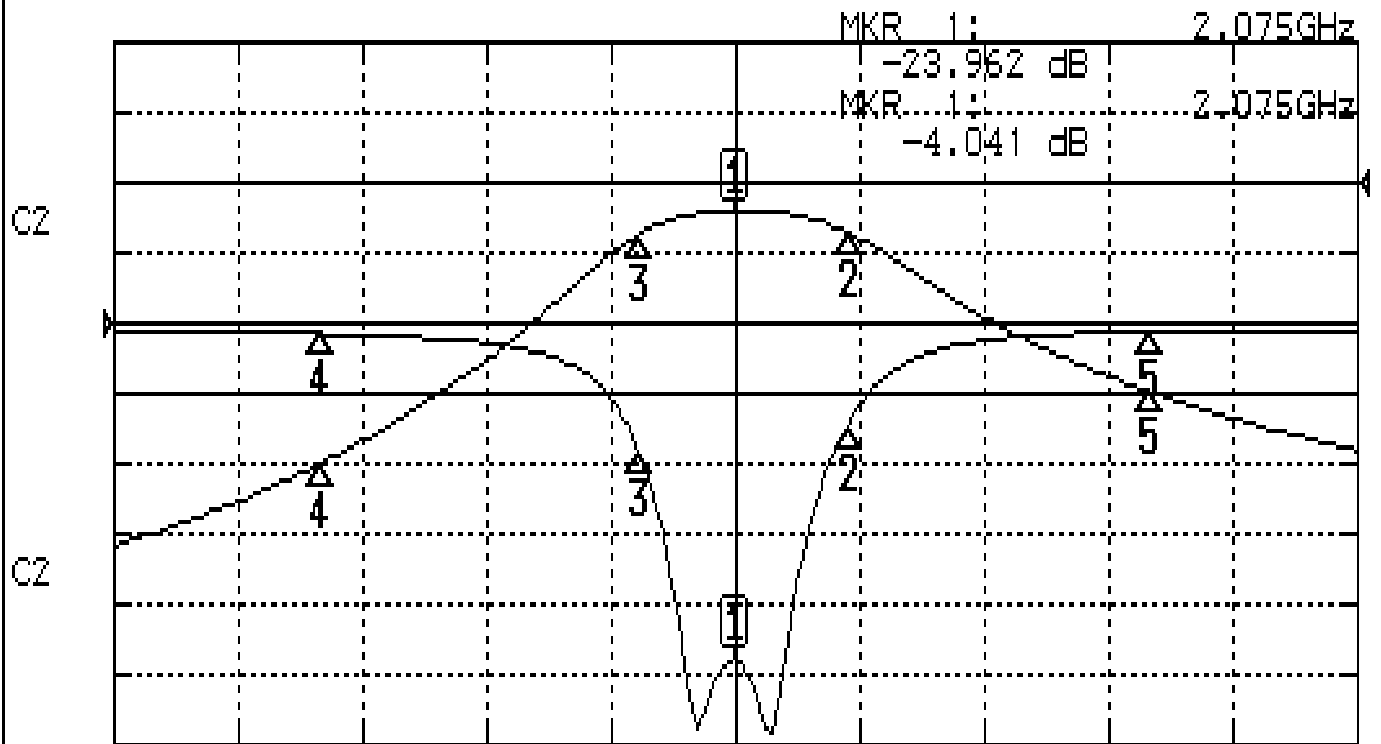
Approval	Supervisor	Designer	Aperture size
C.Y.Chang	C.K.Chang	C.H.Yeh	5W3S(3.8*4.0)(4.10) 5HW024RB3

TEMWELL CORPORATION

# Performance-TTW3706B-2075M

## 200907045CD

CH1 S11 LOG MAG REF 0.000 dB 5.000 dB/  
 CH2 S21 LOG MAG REF 0.000 dB 10.000 dB/



CENTER 2.075GHz

[ 10.00 dBm ]

SPAN 300MHz

### CH1 MARKER LIST

Marker	Frequency (GHz)	Magnitude (dB)
1:	2.075 000GHz	-23.962 dB
2:	2.102 000GHz	-7.222 dB
3:	2.052 000GHz	-9.200 dB
4:	1.975 000GHz	-0.739 dB
5:	2.175 000GHz	-0.590 dB

### CH2 MARKER LIST

Marker	Frequency (GHz)	Magnitude (dB)
1:	2.075 000GHz	-4.041 dB
2:	2.102 000GHz	-7.041 dB
3:	2.052 000GHz	-7.051 dB
4:	1.975 000GHz	-39.867 dB
5:	2.175 000GHz	-29.764 dB