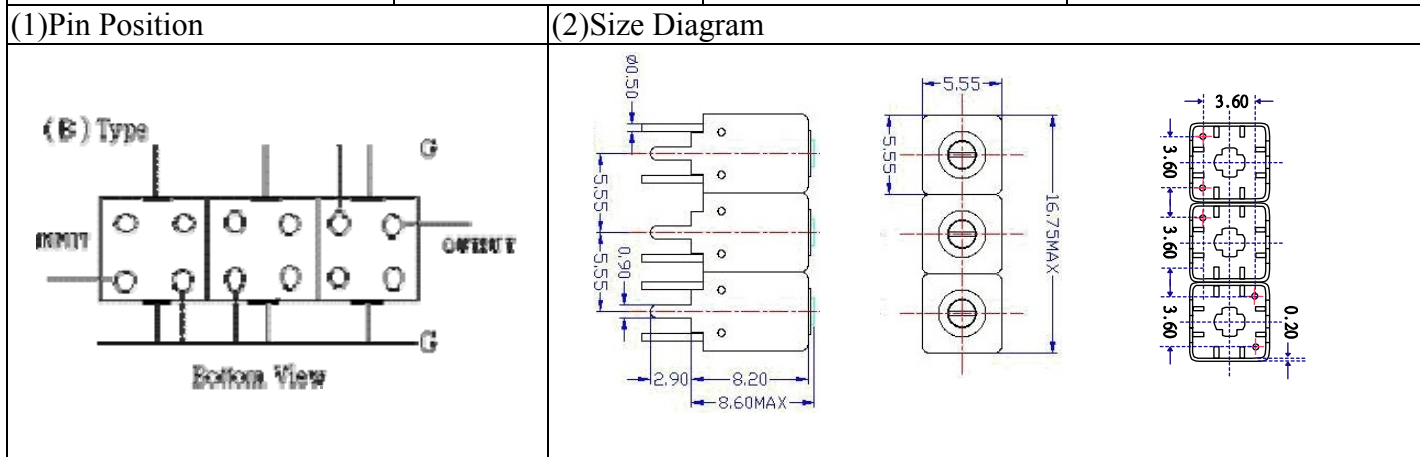


# VHF UHF Helical Filter Specification Sheet

Customer Name		Temwell's Part No.	TTW3697B-1375M
Approval No. /dated	201407116CD	Temwell's Print Name.	3697B 1375M
Work Instruction No.	201407116CD	Date	Mar.04.2015



### (3) Electric Character

Item	Specify	Performance	
Center Freq.(Fo) +/- 0.5 %	1375 MHz	1375 MHz	
Insertion Loss	Typ. 5.0 dB	3.95 dB	
-3 dB Bandwidth	Typ. 24 MHz	31.8 MHz	
Sensitivity (Attenuation)	Fo - 100 MHz	Typ. 46 dBc	49 dBc
	Fo + 100 MHz	Typ. 32 dBc	36 dBc
	Fo - ( )MHz	Typ. dBc	dBc
	Fo + ( )MHz	Typ. dBc	dBc
Return Loss	Min. 12 dB	29.5 dB	
Ripple	< 1 dB	dB	
Impedance	In / Out : 50 Ω	In / Out : 50 Ω	
(4) Torque for Tuning Screw	> 60gf · cm		

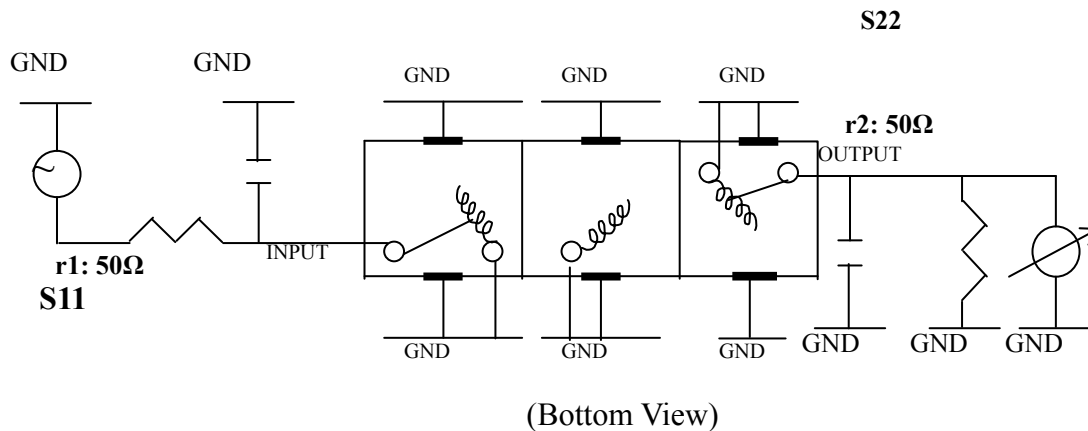
### (5) Temperature Condition:

Operating Temperature	0°C ~ +60°C
Storage Temperature	-20°C ~ +70°C

### (6) Input Power

> 0.5Watt

### (7) Measuring Circuit: ※Easy to match Impedance S11/S22 50Ω by parallel with about( -- ) / ( -- ).



Approval	Supervisor	Designer	Aperture size
C.Y.Chang	C.K.Chang	F.L.Lai	5W3S(3.8*4.0)(4.04) 5HW046RB3.2

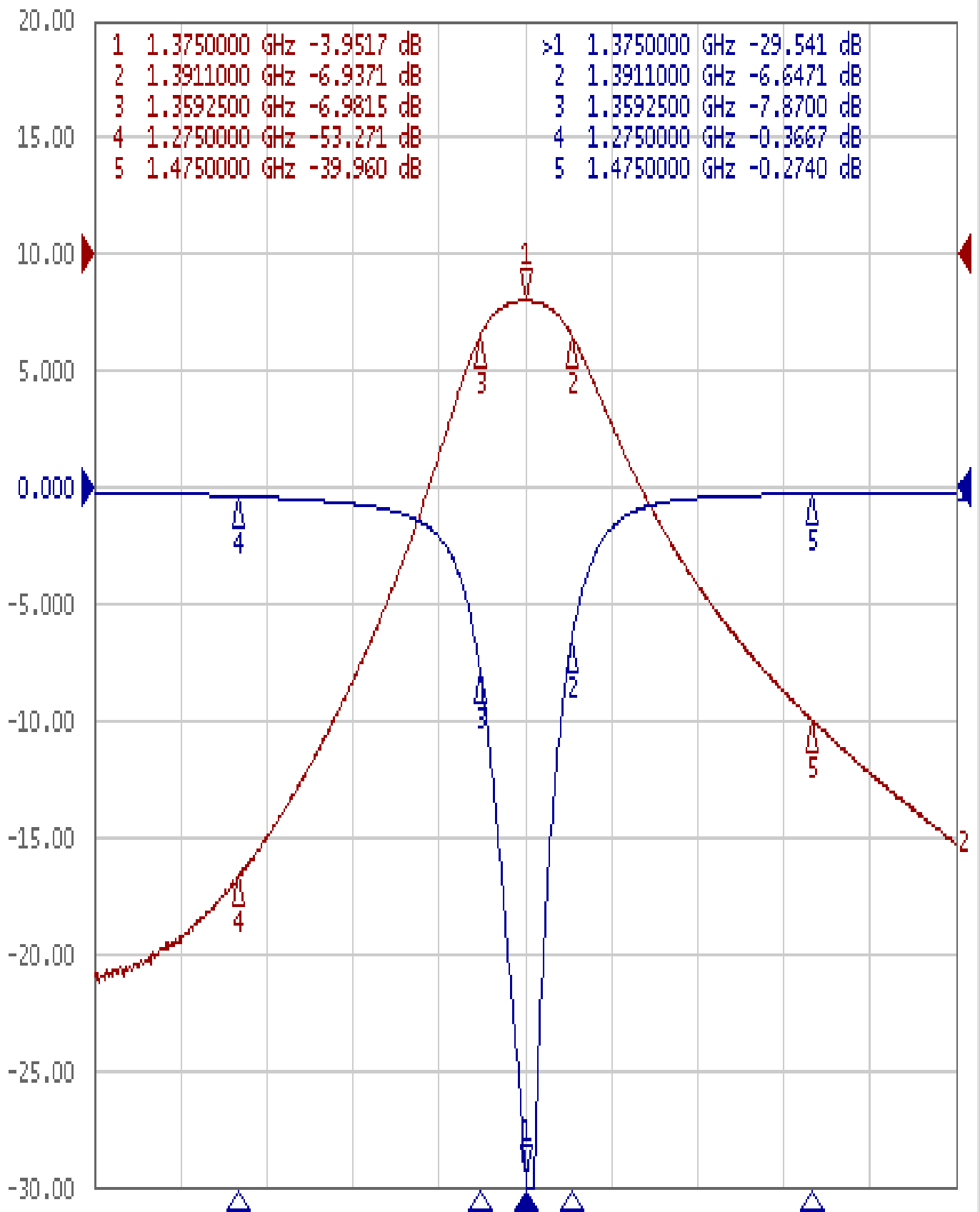
TEMWELL CORPORATION

# Performance-TTW3697B-1375M

## 201407116CD

Tr1 S11 Log Mag 5.000dB/ Ref 0.000dB [F2]

Tr2 S21 Log Mag 10.00dB/ Ref 0.000dB [F2]



1 Center 1.375 GHz

IFBW 10 kHz

Span 300 MHz

Cor !