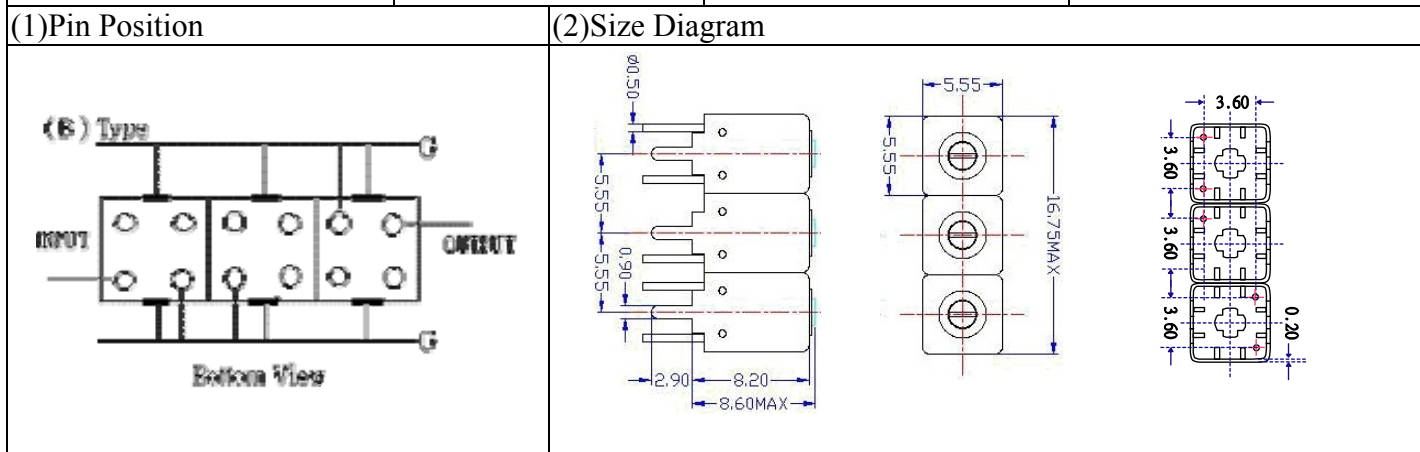


VHF UHF Helical Filter Specification Sheet

Customer Name		Temwell's Part No.	TTW3696B-1225M
Approval No. /dated	201407105CD	Temwell's Print Name.	3696B 1225M
Work Instruction No.	201407105CD	Date	Nov.18.2014



(3) Electric Character

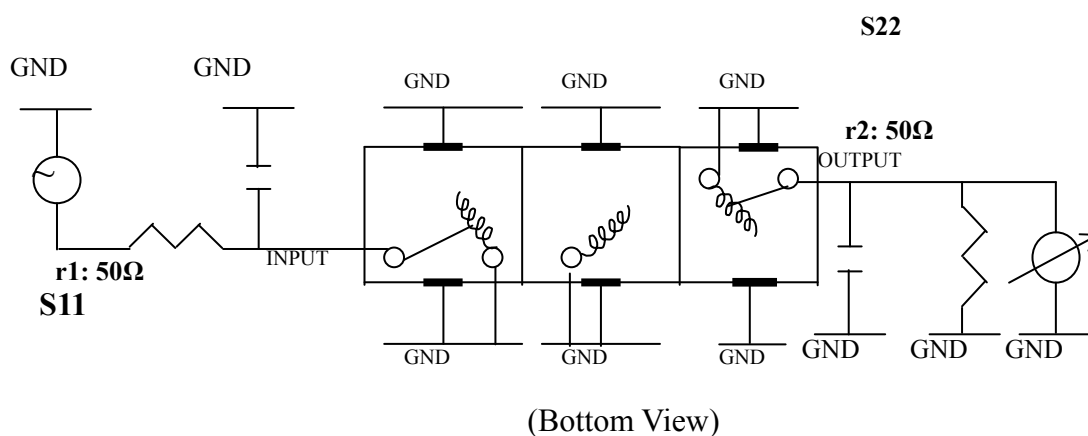
Item	Specify	Performance
Center Freq.(Fo) +/- 0.5 %	1225 MHz	1225 MHz
Insertion Loss	Typ. 4.5 dB	3.52 dB
-3 dB Bandwidth	Typ. 22 MHz	31.0 MHz
Sensitivity (Attenuation)	Fo - 150 MHz	Typ. 54 dBc
	Fo + 150 MHz	Typ. 42 dBc
	Fo - ()MHz	Typ. dBc
	Fo + ()MHz	Typ. dBc
Return Loss	Min. 12 dB	28.8 dB
Ripple	< 1 dB	dB
Impedance	In / Out : 50 Ω	In / Out : 50 Ω
(4) Torque for Tuning Screw	> 60gf • cm	

(5) Temperature Condition:

Operating Temperature	0°C ~ +60°C
Storage Temperature	-20°C ~ +70°C

(6) Input Power

(7) Measuring Circuit: ※Easy to match Impedance S11/S22 50Ω by parallel with about(--) / (--).



Approval	Supervisor	Designer	Aperture size
C.Y.Chang	C.K.Chang	C.H.Yeh	5W3S(3.8*4.0)(4.10) 5HW024RB3

TEMWELL CORPORATION

TEMWELL

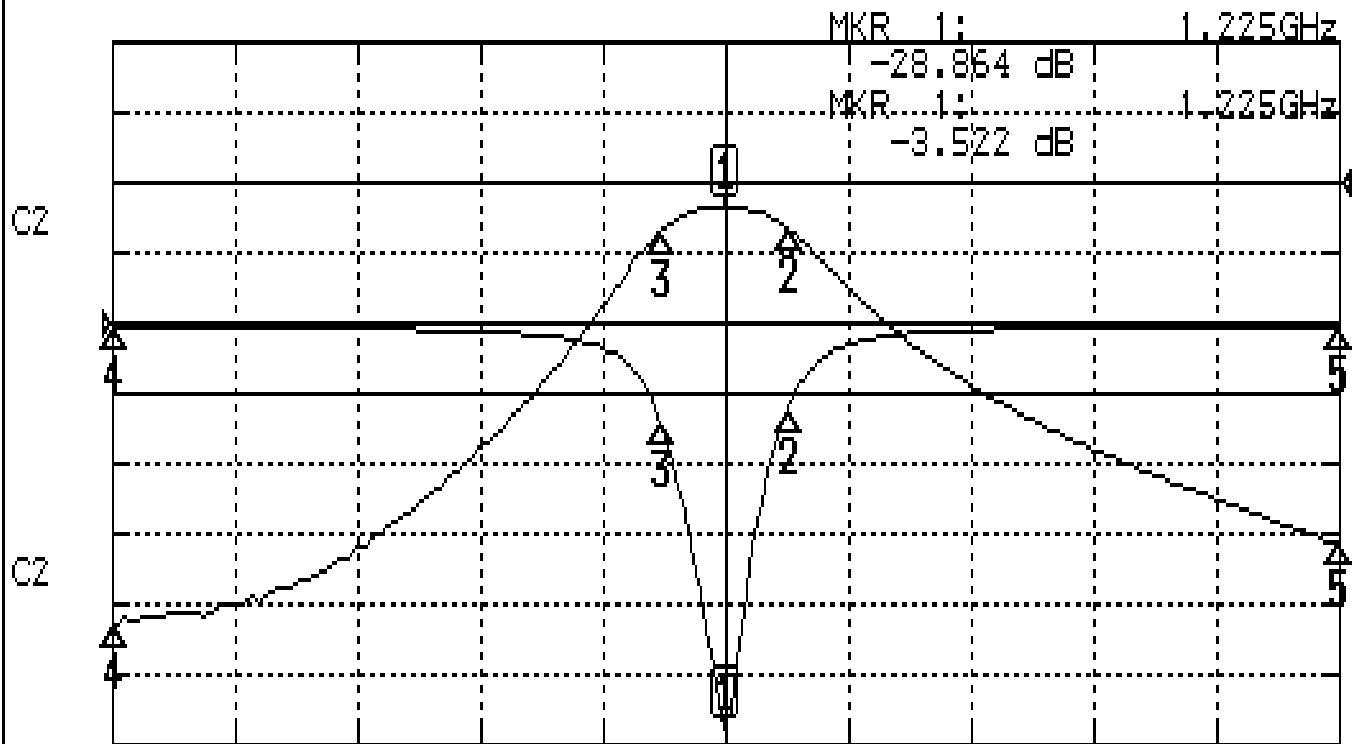
Form10-5W3B Vision D

RP(C.H.Y)

Performance-TTW3696B-1225M

201407105CD

CH1	S11	LOG MAG	REF	0.000 dB	5.000 dB/
CH2	S21	LOG MAG	REF	0.000 dB	10.000 dB/



CENTER 1.225GHz

[10.00 dBm]

SPAN 300MHz

CH1 MARKER LIST

1:	1.225 000GHz	-28.864 dB
2:	1.240 500GHz	-6.010 dB
3:	1.209 500GHz	-7.204 dB
4:	1.075 000GHz	-0.245 dB
5:	1.375 000GHz	-0.269 dB

CH2 MARKER LIST

1:	1.225 000GHz	-3.522 dB
2:	1.240 500GHz	-6.569 dB
3:	1.209 500GHz	-6.595 dB
4:	1.075 000GHz	-2.599 dB
5:	1.375 000GHz	-51.435 dB