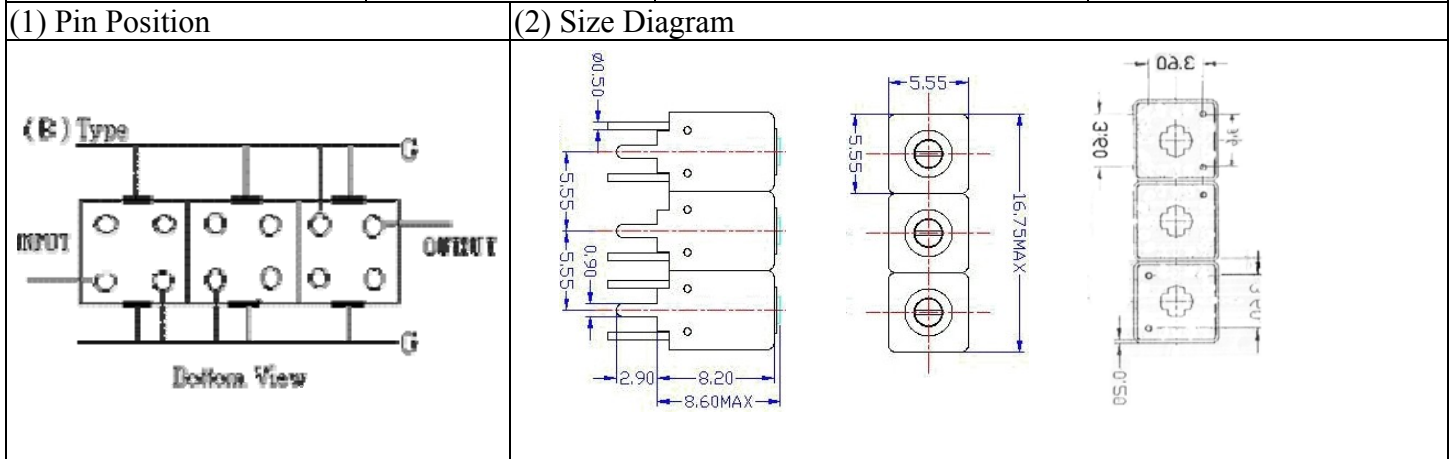


VHF UHF Helical Filter Specification Sheet

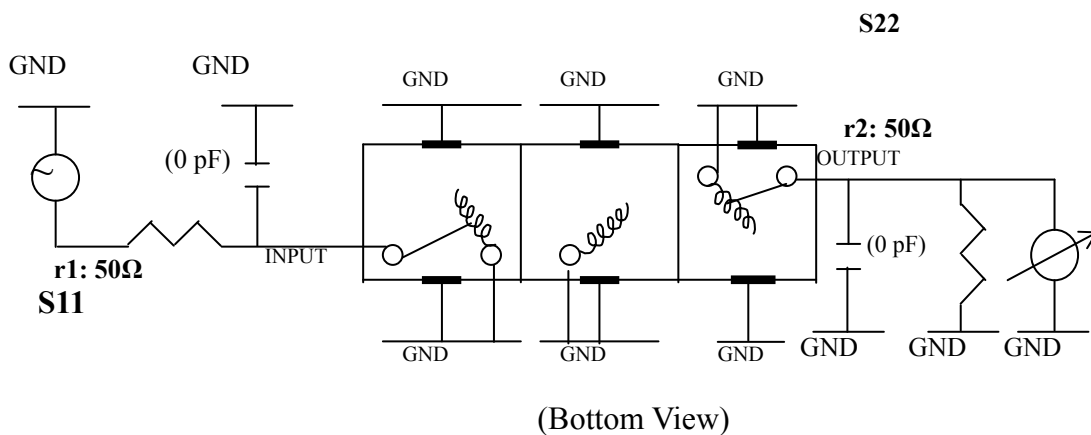
Customer Name		Temwell's Part No.	TTW3694B-575M
Approval No. /dated	0510086DC	Acceptable Specify Fo Range	551-600 MHz
Work Instruction No.	0510086DC	Date	Jan.05.2006



(3) Electric Character			
Item	Specify		Performance
Center Freq. (Fo) +/- 0.5 %	575	MHz	575 MHz
Tunable Range:	575±3	MHz	575±3 MHz
Insertion Loss	Typ.	3.0 dB	2.26 dB
-3 dB Bandwidth	Typ.	30 MHz	37.3 MHz
Sensitivity (Attenuation)	Fo - 50 MHz	Typ.	26 dBc
	Fo + 50 MHz	Typ.	23 dBc
	Fo - ()MHz	Typ.	dBc
	Fo + ()MHz	Typ.	dBc
Return Loss	Min.	12 dB	20.2 dB
Ripple		< 1 dB	dB
Impedance	In / Out: 50 Ω		In / Out : 50 Ω
(4) Torque for Tuning Screw	> 60gf • cm		

(5) Temperature Condition:	
Operating Temperature	0°C ~ +60°C
Storage Temperature	-20°C ~ +70°C
(6) Input Power	> 0.5Watt

(7) Measuring Circuit: ※Easy to match Impedance S11/S22 50Ω by parallel with about(0pF) / (0pF).



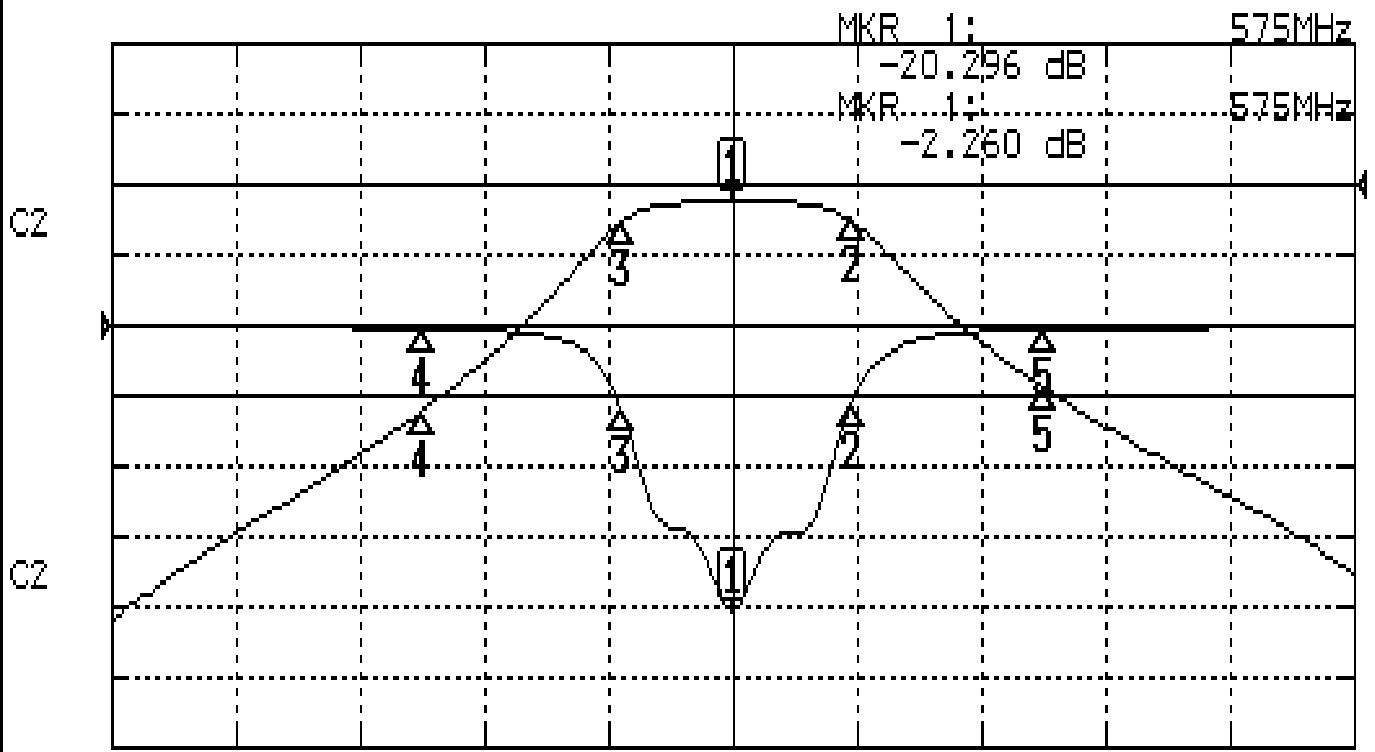
Approval	Supervisor	Designer	Aperture size
C.Y. Chang	C.S. Chang	C.S. Chang	5W3, 3.8*5.1(5.12) 5HW024LB3

TEMWELL CORPORATION

Performance-TTW3694B-575M

0510086DC

CH1 S11 LOG MAG REF 0.000 dB 5.000 dB/
CH2 S21 LOG MAG REF 0.000 dB 10.000 dB/



CENTER 575MHz

[10.00 dBm]

SPAN 200MHz

CH1 MARKER LIST

Marker	Frequency (MHz)	Magnitude (dB)
1	575.000	-20.296
2	594.333	-11.433
3	570.000	-11.832
4	525.000	-10.227
5	625.000	-10.280

CH2 MARKER LIST

Marker	Frequency (MHz)	Magnitude (dB)
1	575.000	-2.260
2	594.333	-11.213
3	570.000	-11.307
4	525.000	-13.063
5	625.000	-20.859