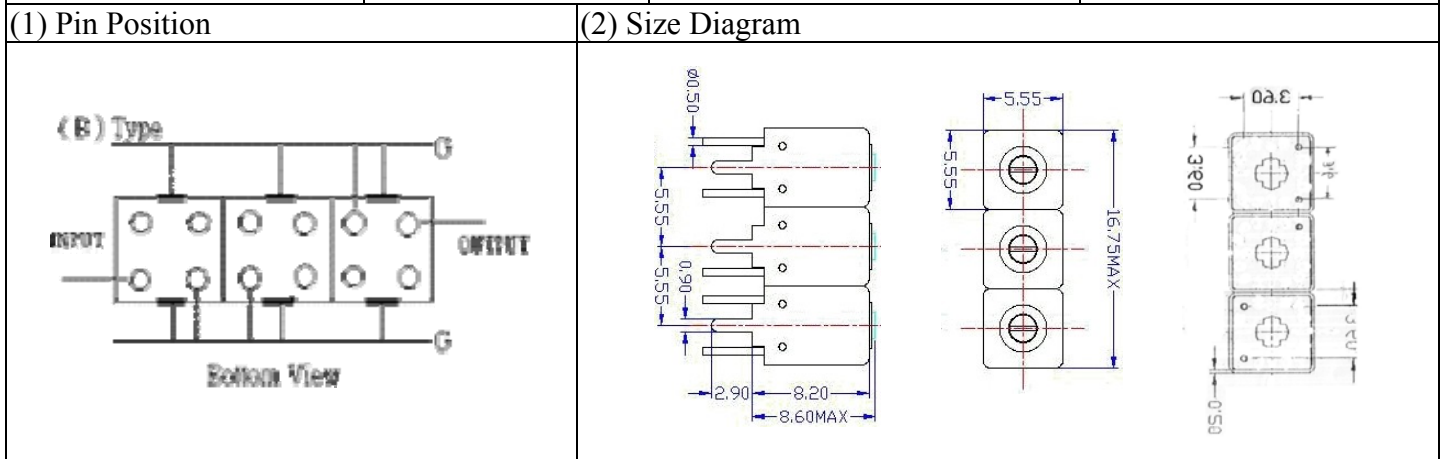


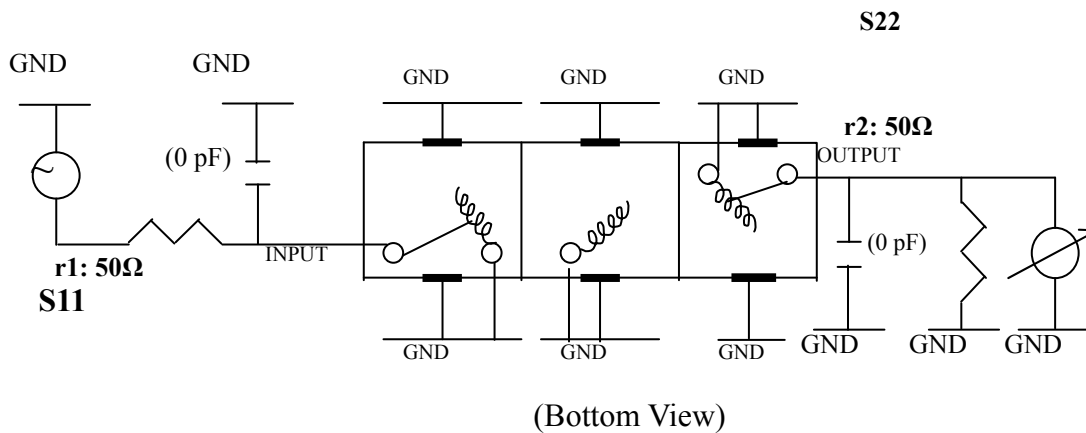
# VHF UHF Helical Filter Specification Sheet

Customer Name		Temwell's Part No.	TTW3691B-425M
Approval No. /dated	0510083DC	Acceptable Specify Fo Range	401-450 MHz
Work Instruction No.	0510083DC	Date	Jan.10.2006



Item		Specify		Performance	
Center Freq. (Fo) +/- 0.5 %		425	MHz	425	MHz
Tunable Range:		425±5	MHz	425±5	MHz
Insertion Loss		Typ. 4.0	dB	2.74	dB
-3 dB Bandwidth		Typ. 28	MHz	32.8	MHz
Sensitivity (Attenuation)	Fo - 50 MHz	Typ. 29	dBc	32	dBc
	Fo + 50 MHz	Typ. 23	dBc	26	dBc
	Fo - ( )MHz	Typ.	dBc		dBc
	Fo +( )MHz	Typ.	dBc		dBc
Return Loss		Min. 12	dB	28.5	dB
Ripple		< 1	dB		dB
Impedance		In / Out : 50 Ω		In / Out : 50 Ω	
(4) Torque for Tuning Screw		> 60gf · cm			
(5) Temperature Condition:					
Operating Temperature		0°C ~ +60°C			
Storage Temperature		-20°C ~ +70°C			
(6) Input Power		> 0.5Watt			

(7) Measuring Circuit: ※Easy to match Impedance S11/S22 50Ω by parallel with about(0pF) / (0pF).



Approval	Supervisor	Designer	Aperture size
C.Y. Chang	C.S. Chang	C.S. Chang	5W3, 3.8*5.1 (5.13) 5HW00LB3

TEMWELL CORPORATION

TEMWELL

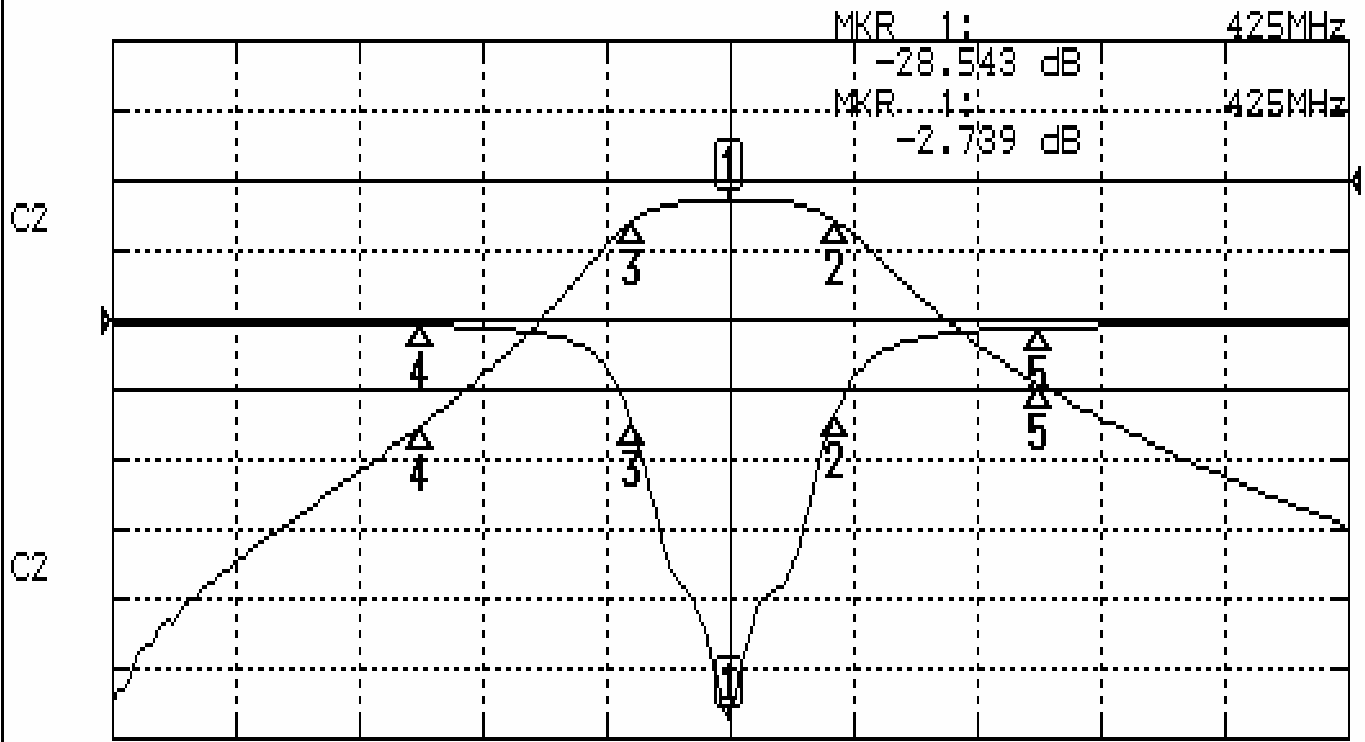
Form10-5W3B Vision D

RP: C.S. Chang

# Performance-TTW3691B-425M

## 0510083DC

**CH1** S11 LOG MAG REF 0.000 dB 5.000 dB/  
**CH2** S21 LOG MAG REF 0.000 dB 10.000 dB/



CENTER 425MHz

[ 10.00 dBm ]

SPAN 200MHz

### CH1 MARKER LIST

1	425.000MHz	-28.543	dB
2	442.166MHz	-16.665	dB
3	409.333MHz	-17.463	dB
4	375.000MHz	-10.368	dB
5	475.000MHz	-10.531	dB

### CH2 MARKER LIST

1	425.000MHz	-2.740	dB
2	442.166MHz	-1.730	dB
3	409.333MHz	-1.663	dB
4	375.000MHz	-19.190	dB
5	475.000MHz	-29.143	dB