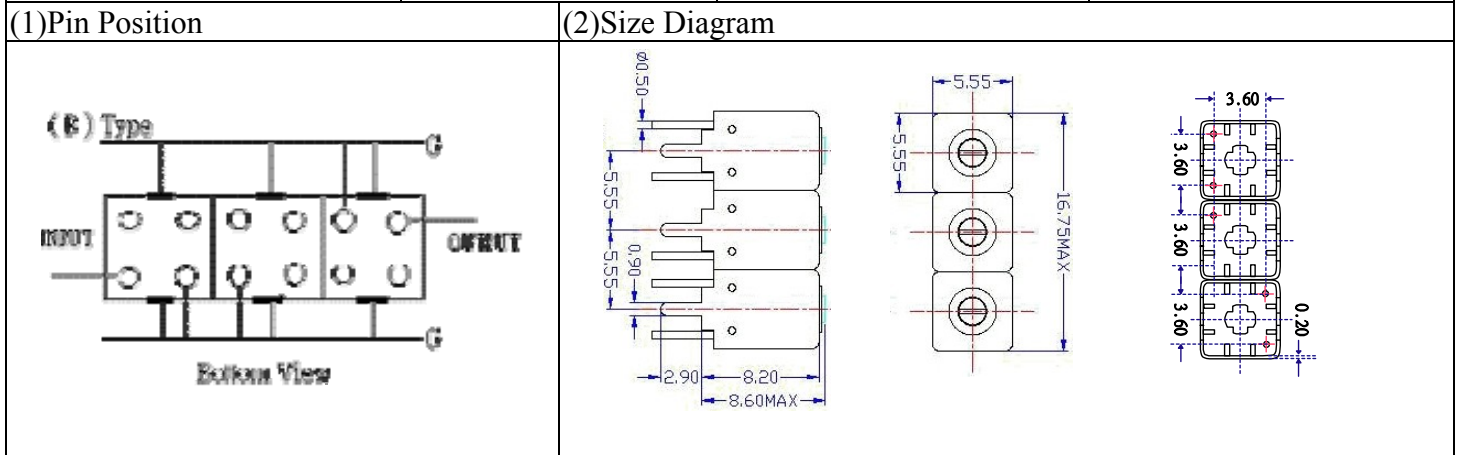


# VHF UHF Helical Filter Specification Sheet

Customer Name		Temwell's Part No.	TTW3688B-1175M
Approval No. /dated	201407104CD	Temwell's Print Name.	3688B 1175M
Work Instruction No.	201407104CD	Date	Nov.18.2014



(3) Electric Character					
Item		Specify		Performance	
Center Freq.(Fo) +/- 0.5 %		1175 MHz		1175 MHz	
Insertion Loss		Typ. 3.5 dB		2.82 dB	
-3 dB Bandwidth		Typ. 25 MHz		37.3 MHz	
Sensitivity (Attenuation)	Fo - 100 MHz	Typ. 45 dBc		49 dBc	
	Fo + 100 MHz	Typ. 33 dBc		37 dBc	
	Fo - ( )MHz	Typ. dBc		dBc	
	Fo +( )MHz	Typ. dBc		dBc	
Return Loss		Min. 12 dB		27.7 dB	
Ripple		< 1 dB		dB	
Impedance		In / Out : 50 Ω		In / Out : 50 Ω	

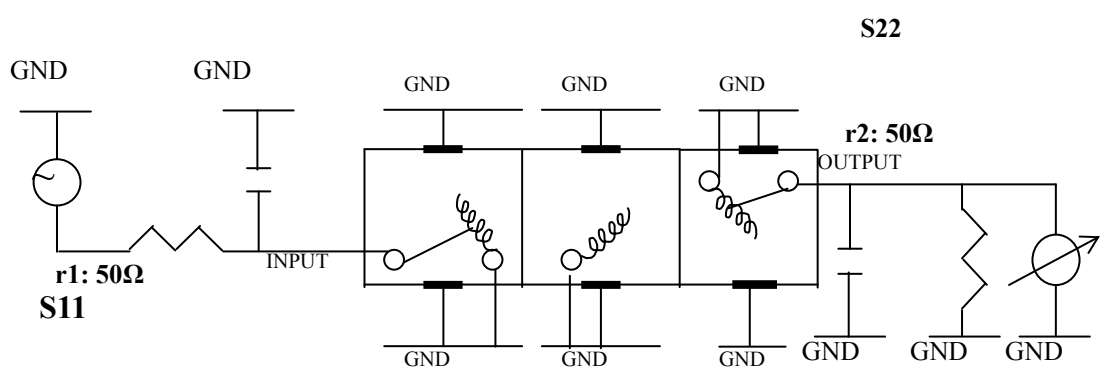
(4) Torque for Tuning Screw > 60gf • cm

(5) Temperature Condition:

Operating Temperature	0°C ~ +60°C
Storage Temperature	-20°C ~ +70°C

(6) Input Power > 0.5Watt

(7) Measuring Circuit: ※Easy to match Impedance S11/S22 50Ω by parallel with about( -- ) / ( -- ).



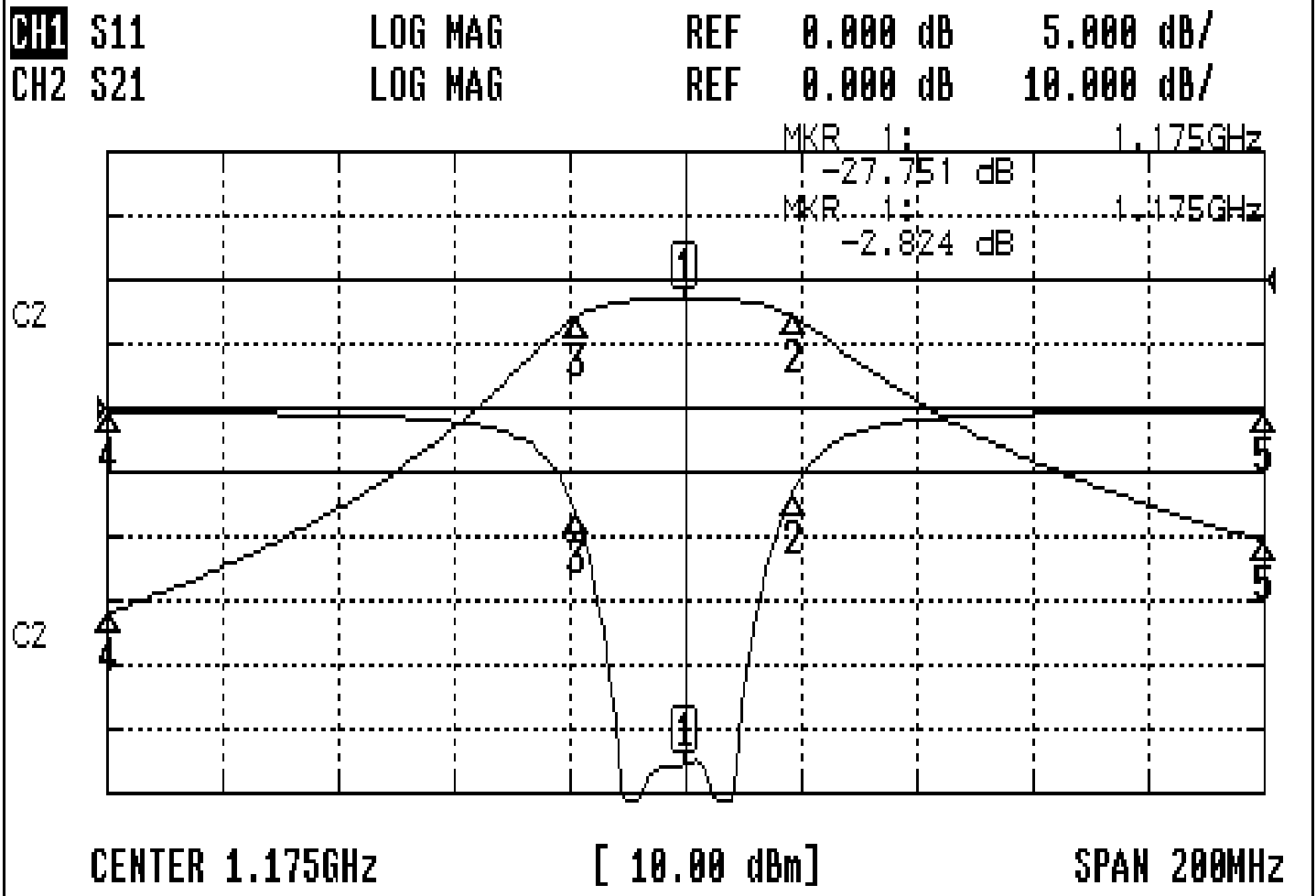
(Bottom View)

Approval	Supervisor	Designer	Aperture size
C.Y.Chang	C.K.Chang	C.H.Yeh	5W3S(3.8*4.0)(4.05) 5HW024RB3

TEMWELL CORPORATION

# Performance-TTW3688B-1175M

## 201407104CD



### CH1 MARKER LIST

1	1.175	000	GHz	-27.751	dB
2	1.193	666	GHz	-6.631	dB
3	1.156	333	GHz	-8.425	dB
4	1.075	000	GHz	-0.294	dB
5	1.275	000	GHz	-0.283	dB

### CH2 MARKER LIST

1	1.175	000	GHz	-2.824	dB
2	1.193	666	GHz	0.000	dB
3	1.156	333	GHz	0.000	dB
4	1.075	000	GHz	0.000	dB
5	1.275	000	GHz	40.735	dB