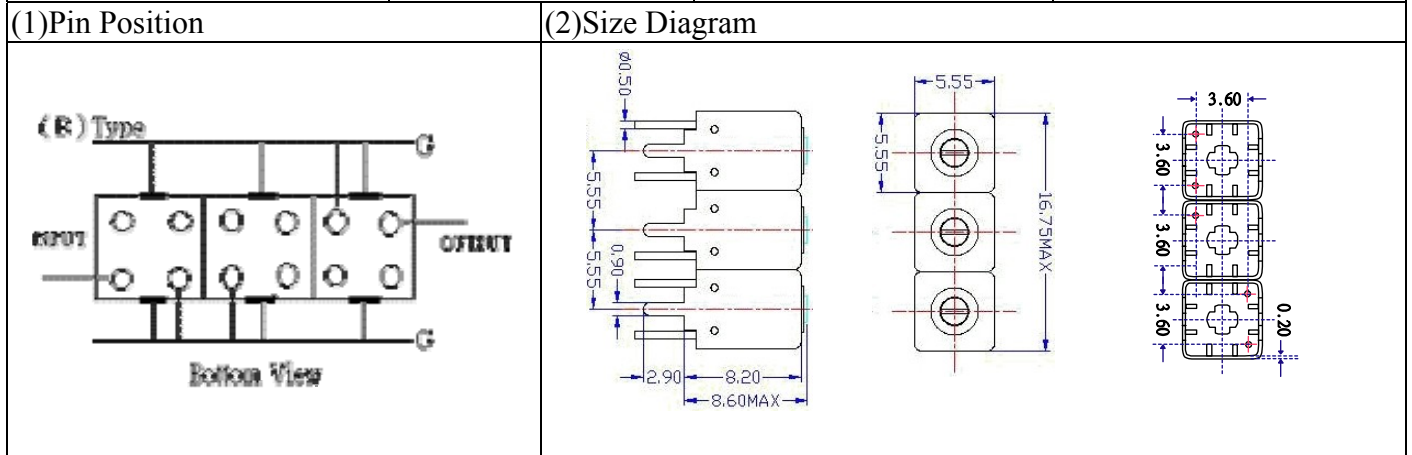


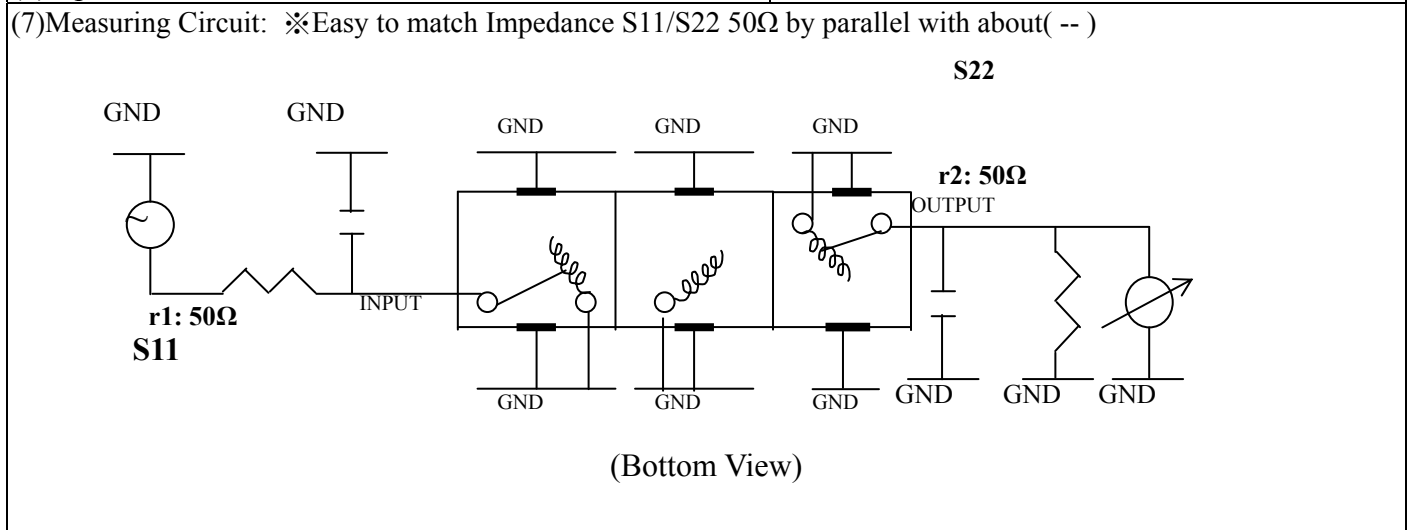
VHF UHF Helical Filter Specification Sheet

| | | | |
|----------------------|-------------|-----------------------|----------------|
| Customer Name | | Temwell's Part No. | TTW3687B-1125M |
| Approval No. /dated | 201407101CD | Temwell's Print Name. | 3687B 1125M |
| Work Instruction No. | 201407101CD | Date | Oct.31.2014 |



| (3)Electric Character | | | |
|------------------------------|-------------|-----------------|-----------------|
| Item | | Specify | Performance |
| Center Freq.(Fo) +/- 0.5 % | | 1125 MHz | 1125 MHz |
| Insertion Loss | | Typ. 3.5 dB | 2.92 dB |
| -3 dB Bandwidth | | Typ. 25 MHz | 35.4 MHz |
| Sensitivity (Attenuation) | Fo - 50 MHz | Typ. 25 dBc | 28 dBc |
| | Fo + 50 MHz | Typ. 19 dBc | 22 dBc |
| | Fo - ()MHz | Typ. dBc | dBc |
| | Fo +()MHz | Typ. dBc | dBc |
| Return Loss | | Min. 12 dB | 25.6 dB |
| Ripple | | < 1 dB | dB |
| Impedance | | In / Out : 50 Ω | In / Out : 50 Ω |
| (4)Torque for Tuning Screw | | > 60gf • cm | |

| | |
|---------------------------|---------------|
| (5)Temperature Condition: | |
| Operating Temperature | 0°C ~ +60°C |
| Storage Temperature | -20°C ~ +70°C |
| (6)Input Power | > 0.5Watt |



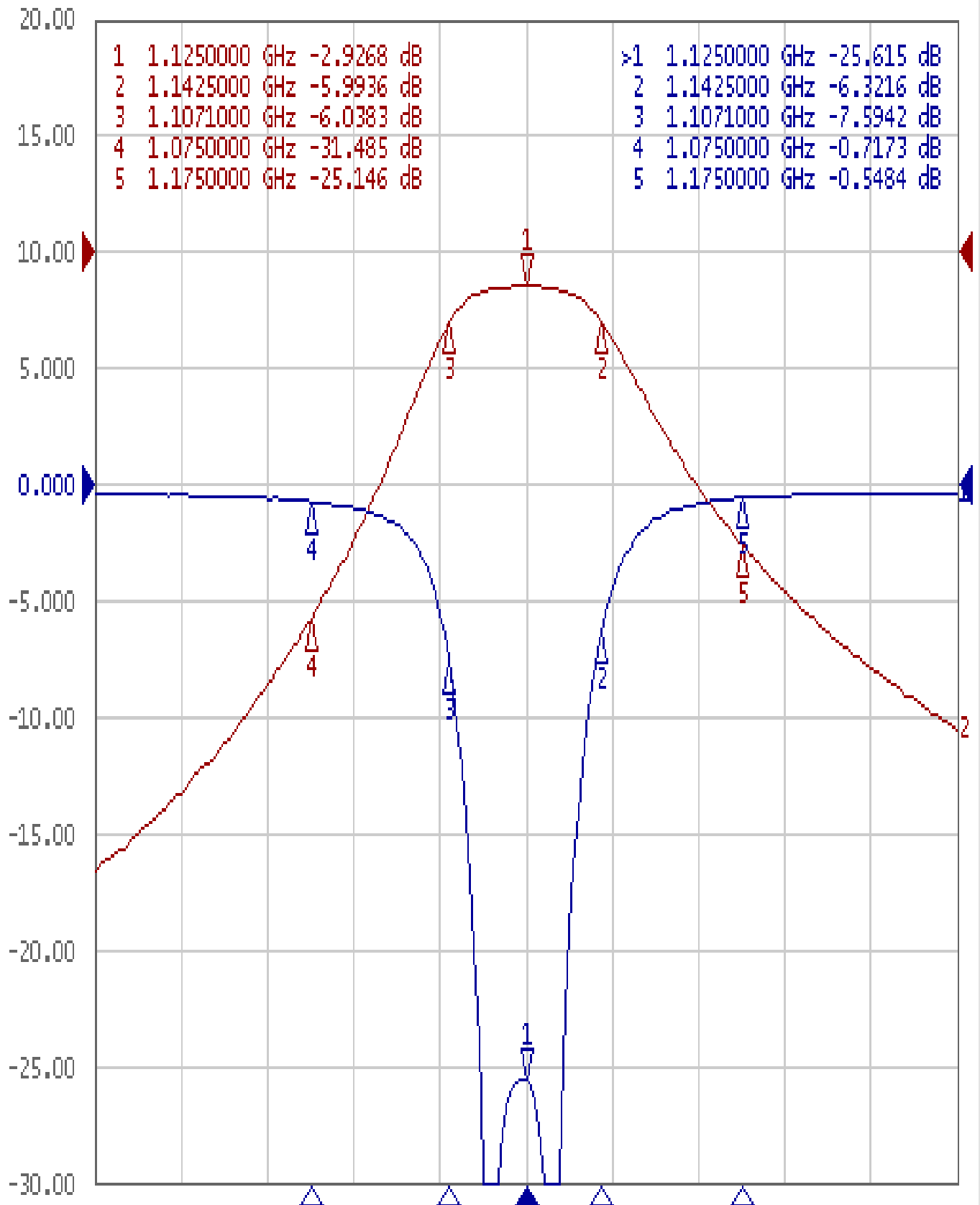
| | | | |
|-----------|------------|----------|----------------------------------|
| Approval | Supervisor | Designer | Aperture size |
| C.Y.Chang | C.K.Chang | W.W.Wang | 5W3S(3.8*4.0)(4.03) 5HW024RB3 |

Performance-TTW3687B-1125M

201407101CD

▶ Tr1 S11 Log Mag 5.000dB/ Ref 0.000dB [F2]

Tr2 S21 Log Mag 10.00dB/ Ref 0.000dB [F2]



1 Center 1.125 GHz

IFBW 70 kHz

Span 200 MHz Cor !