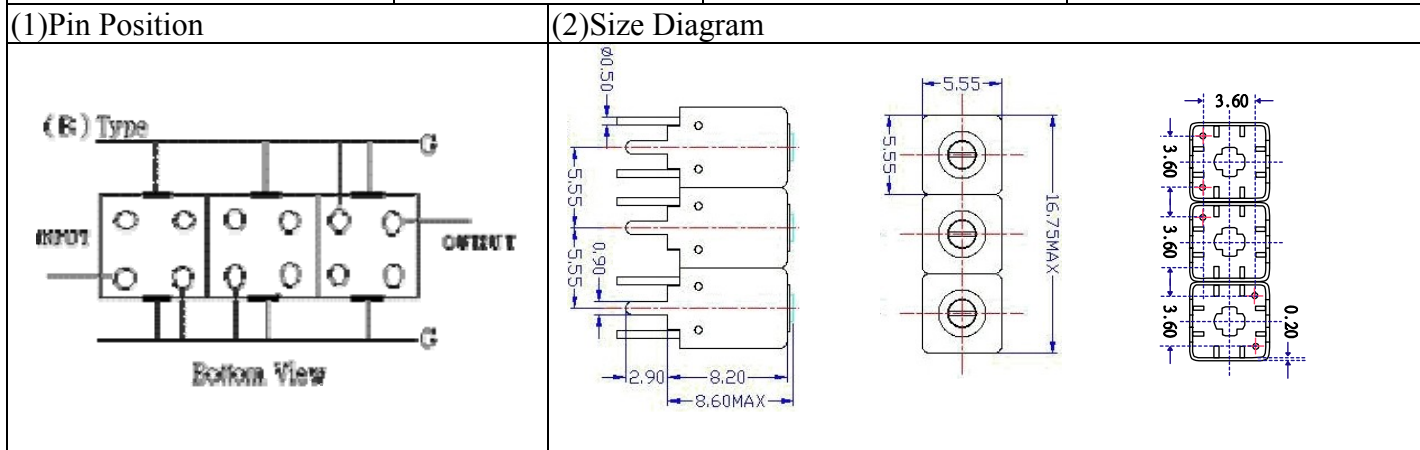


VHF UHF Helical Filter Specification Sheet

Customer Name		Temwell's Part No.	TTW3684B-925M
Approval No. /dated	201407165CD	Temwell's Print Name.	3684B 925M
Work Instruction No.	201407165CD	Date	Oct.15.2014



(3) Electric Character

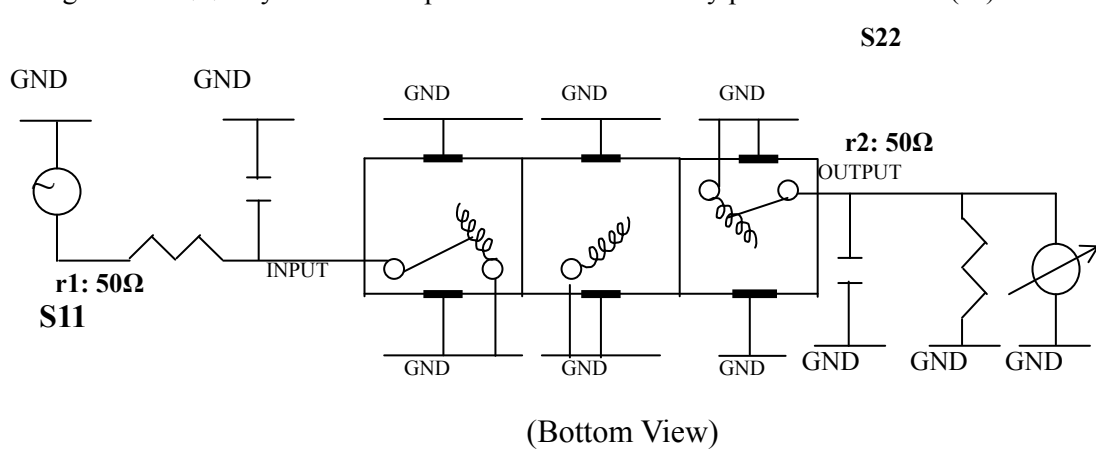
Item	Specify	Performance
Center Freq.(Fo) +/- 0.5 %	925 MHz	925 MHz
Insertion Loss	Typ. 3.5 dB	2.30 dB
-3 dB Bandwidth	Typ. 25 MHz	34.5 MHz
Sensitivity (Attenuation)	Fo - 100 MHz	Typ. 42 dBc
	Fo + 100 MHz	Typ. 32 dBc
	Fo - ()MHz	Typ. dBc
	Fo + ()MHz	Typ. dBc
Return Loss	Min. 12 dB	18.9 dB
Ripple	< 1 dB	dB
Impedance	In / Out : 50 Ω	In / Out : 50 Ω
(4) Torque for Tuning Screw	> 60gf · cm	

(5) Temperature Condition:

Operating Temperature	0°C ~ +60°C
Storage Temperature	-20°C ~ +70°C

(6) Input Power > 0.5Watt

(7) Measuring Circuit: ※Easy to match Impedance S11/S22 50Ω by parallel with about(- -).



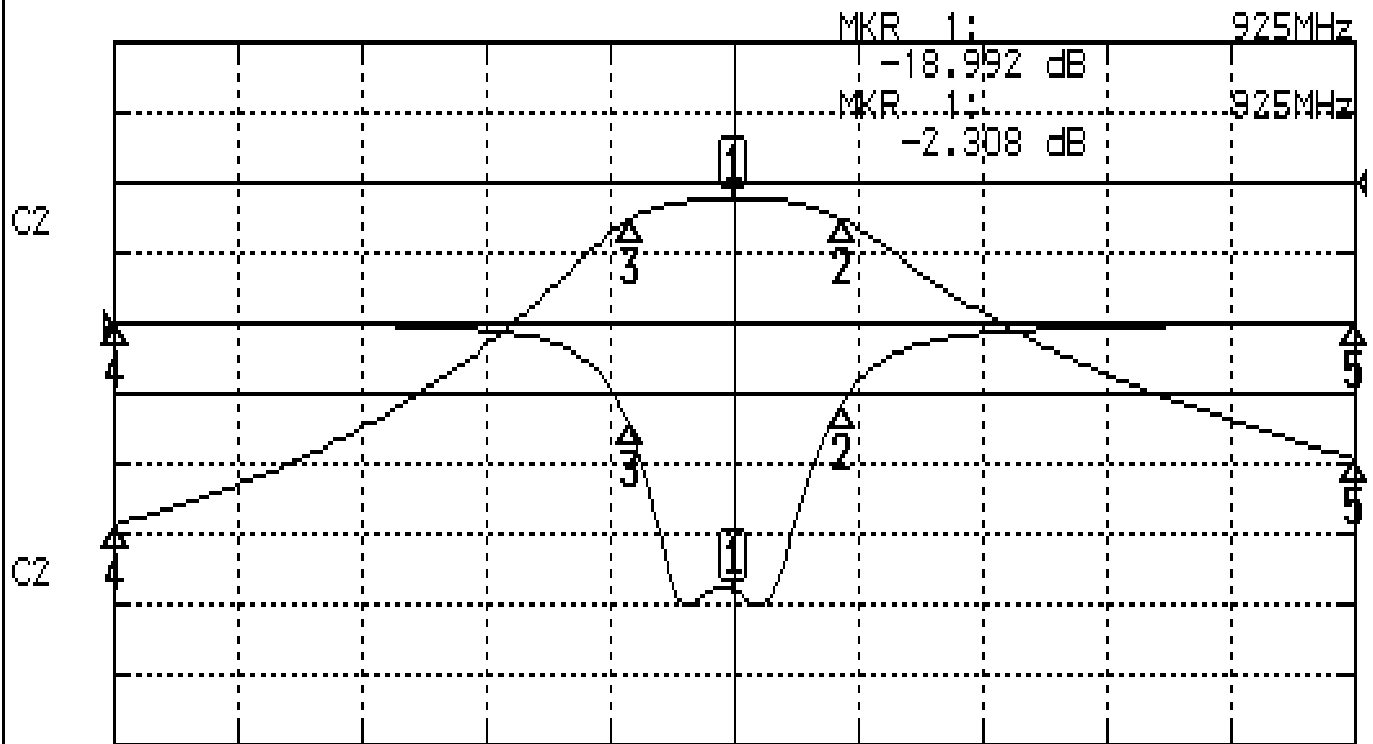
Approval	Supervisor	Designer	Aperture size
C.Y.Chang	C.K.Chang	M.Y.Kang	5W3S(3.8*4.0)(4.05) 5HW024RB3

TEMWELL CORPORATION

Performance-TTW3684B-925M

201407165CD

CH1 S11 LOG MAG REF 0.000 dB 5.000 dB/
CH2 S21 LOG MAG REF 0.000 dB 10.000 dB/



CENTER 925MHz

[10.00 dBm]

SPAN 200MHz

CH1 MARKER LIST

Marker	Frequency	Magnitude
1:	925.000MHz	-18.992 dB
2:	942.500MHz	-5.714 dB
3:	908.000MHz	-7.116 dB
4:	825.000MHz	0.036 dB
5:	1.025 000GHz	-0.005 dB

CH2 MARKER LIST

Marker	Frequency	Magnitude
1:	925.000MHz	-2.308 dB
2:	942.500MHz	-1.114 dB
3:	908.000MHz	-1.114 dB
4:	825.000MHz	-48.592 dB
5:	1.025 000GHz	-39.205 dB