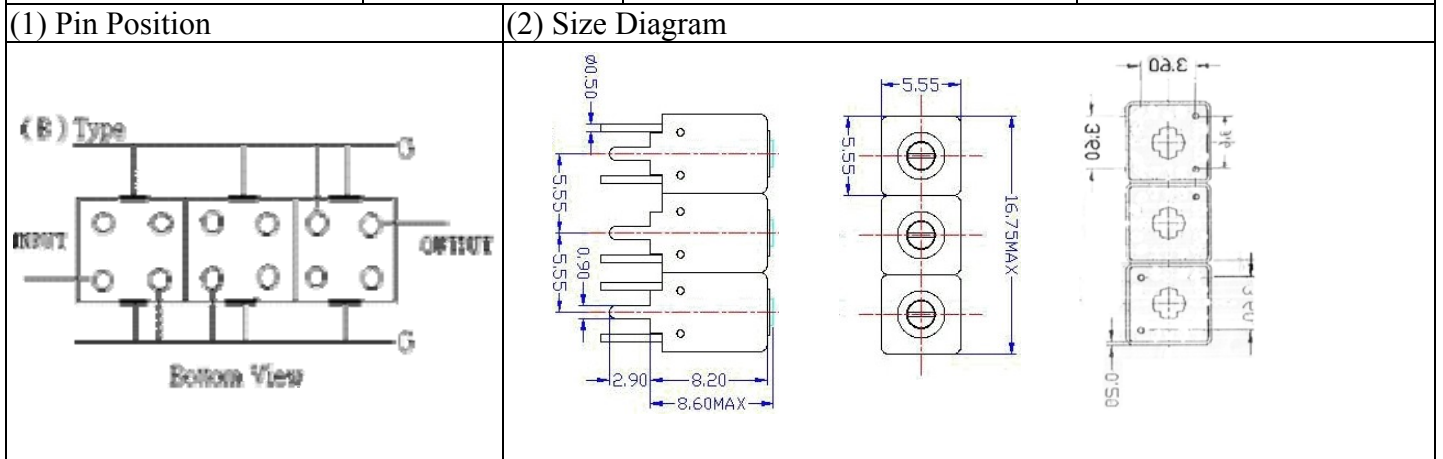


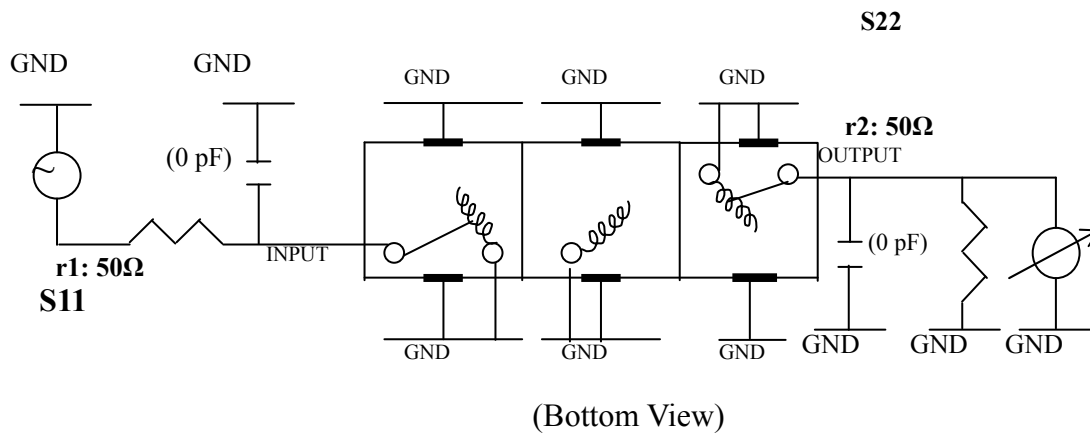
VHF UHF Helical Filter Specification Sheet

Customer Name		Temwell's Part No.	TTW3682B-475M
Approval No. /dated	0510074DC	Acceptable Specify Fo Range	451-500 MHz
Work Instruction No.	0510074DC	Date	Jan.09.2006



(3) Electric Character					
Item		Specify		Performance	
Center Freq. (Fo) +/- 0.5 %		475 MHz		475 MHz	
Tunable Range:		475±5 MHz		475±5 Hz	
Insertion Loss		Typ. 3.0 dB		2.17 dB	
-3 dB Bandwidth		Typ. 25 MHz		28.7 MHz	
Sensitivity (Attenuation)	Fo - 50 MHz	Typ. 35 dBc		38 dBc	
	Fo + 50 MHz	Typ. 26 dBc		29 dBc	
	Fo - ()MHz	Typ. dBc		dBc	
	Fo +()MHz	Typ. dBc		dBc	
Return Loss		Min. 12 dB		35.9 dB	
Ripple		< 1 dB		dB	
Impedance		In / Out : 50 Ω		In / Out : 50 Ω	
(4) Torque for Tuning Screw		> 60gf · cm			
(5) Temperature Condition:					
Operating Temperature		0°C ~ +60°C			
Storage Temperature		-20°C ~ +70°C			
(6) Input Power		> 0.5Watt			

(7) Measuring Circuit: ※Easy to match Impedance S11/S22 50Ω by parallel with about(0pF) / (0pF).



Approval	Supervisor	Designer	Aperture size
C.Y. Chang	C.S. Chang	C.S. Chang	5W3, 3.8*4.5(4.62) 5HW024LB3

TEMWELL CORPORATION

TEMWELL

Form10-5W3B Vision D

RP: C.S. Chang

