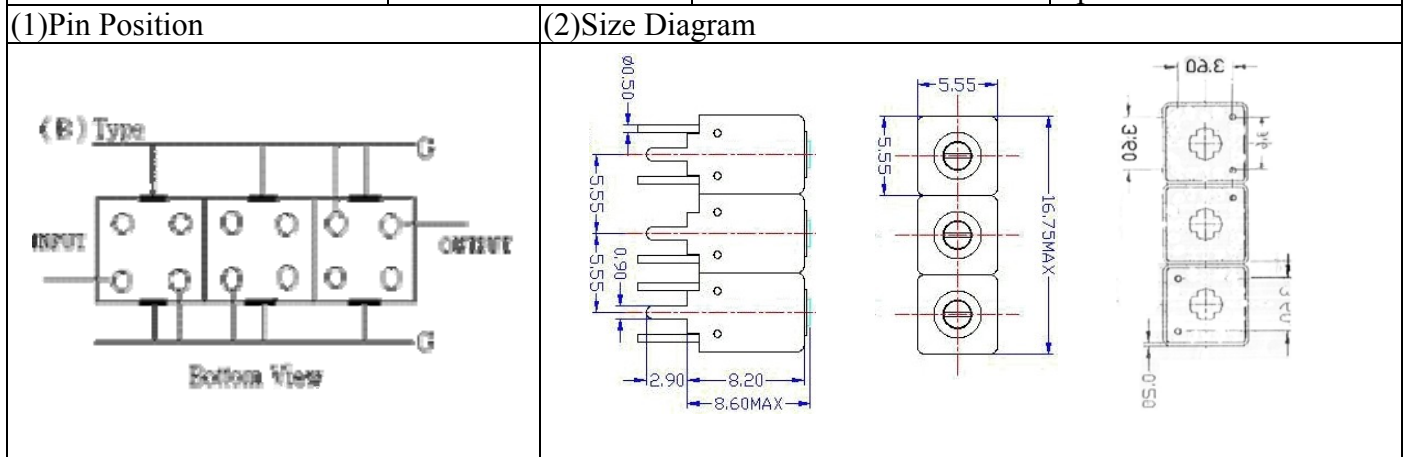


# VHF UHF Helical Filter Specification Sheet

Customer Name		Temwell's Part No.	TTW3676B-1075M
Approval No. /dated	0904039CD	Temwell's Print Name.	3676B 1075M
Work Instruction No.	200904039CD	Date	Apr.14.2009



### (3)Electric Character

Item	Specify	Performance	
Center Freq.(Fo) +/- 0.5 %	1075 MHz	1075 MHz	
Tunable Range:	1075±3 MHz	1075±3 MHz	
Insertion Loss	Typ. 4.0 dB	2.24 dB	
-3 dB Bandwidth	Typ. 35 MHz	44.5 MHz	
Sensitivity (Attenuation)	Fo - 100 MHz	Typ. 33 dBc	48 dBc
	Fo + 100 MHz	Typ. 21 dBc	32 dBc
	Fo - ( )MHz	Typ. dBc	dBc
	Fo +( )MHz	Typ. dBc	dBc
Return Loss	Min. 12 dB	20.4 dB	
Ripple	< 1 dB	dB	
Impedance	In / Out : 50 Ω	In / Out : 50 Ω	

### (4)Torque for Tuning Screw

(4)Torque for Tuning Screw	> 60gf · cm
----------------------------	-------------

### (5)Temperature Condition:

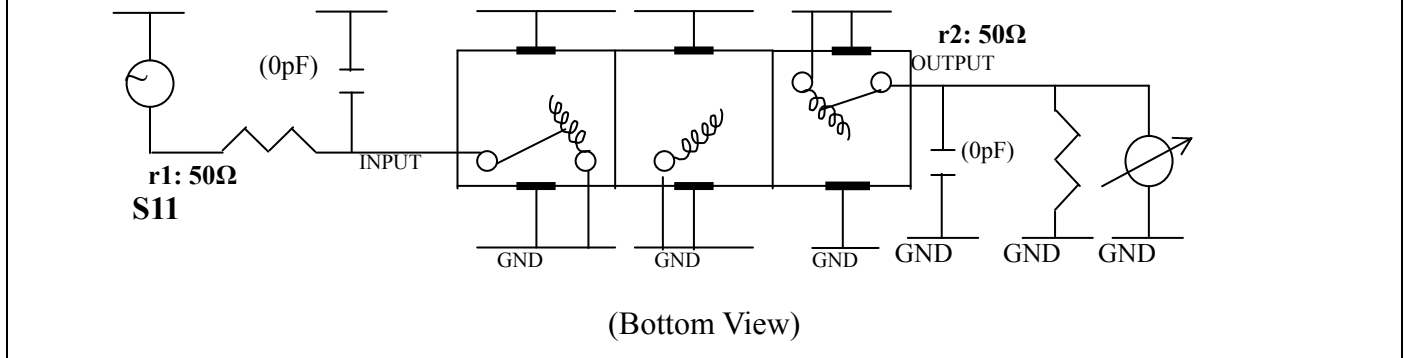
Operating Temperature	0°C ~ +60°C
-----------------------	-------------

Storage Temperature	-20°C ~ +70°C
---------------------	---------------

### (6)Input Power

(6)Input Power	> 0.5Watt
----------------	-----------

### (7)Measuring Circuit: ※Easy to match Impedance S11/S22 50Ω by parallel with about(0pF) / (0pF).



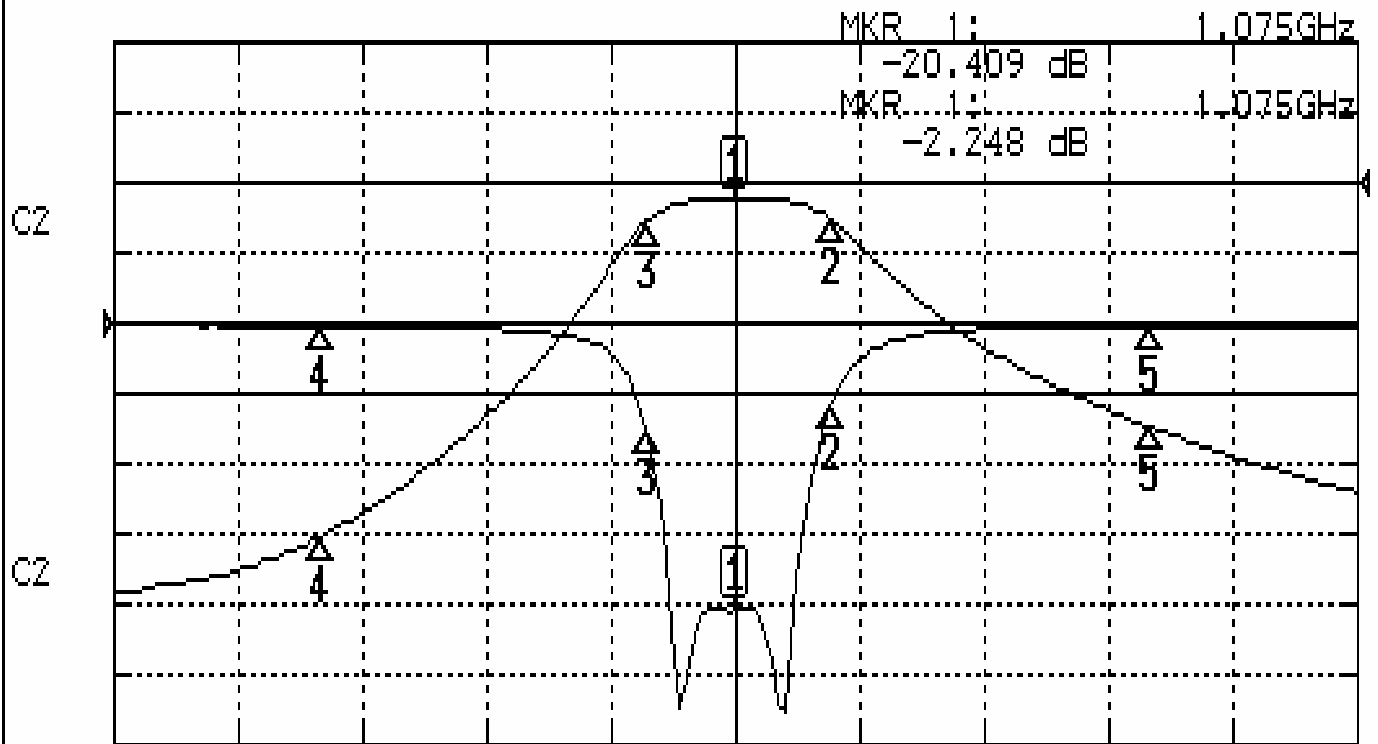
Approval	Supervisor	Designer	Aperture size
C.Y.Chang	C.K.Chang	C.H.Yeh	5W3S(3.8*4.0)(4.27) 5HW024RB3

TEMWELL CORPORATION

# Performance-TTW3676B-1075M

## 200904039CD

CH1 S11 LOG MAG REF 0.000 dB 5.000 dB/  
 CH2 S21 LOG MAG REF 0.000 dB 10.000 dB/



MKR 1: 1.075GHz  
 -20.409 dB  
 MKR 1: 1.075GHz  
 -2.248 dB

CENTER 1.075GHz

[ 10.00 dBm ]

SPAN 300MHz

### CH1 MARKER LIST

1:	1.075 000GHz	-20.409 dB
2:	1.098 250GHz	-5.908 dB
3:	1.053 750GHz	-7.686 dB
4:	975.000MHz	-0.197 dB
5:	1.175 000GHz	-0.245 dB

### CH2 MARKER LIST

1:	1.075 000GHz	-2.248 dB
2:	1.098 250GHz	-5.908 dB
3:	1.053 750GHz	-7.686 dB
4:	975.000MHz	-0.197 dB
5:	1.175 000GHz	-34.760 dB