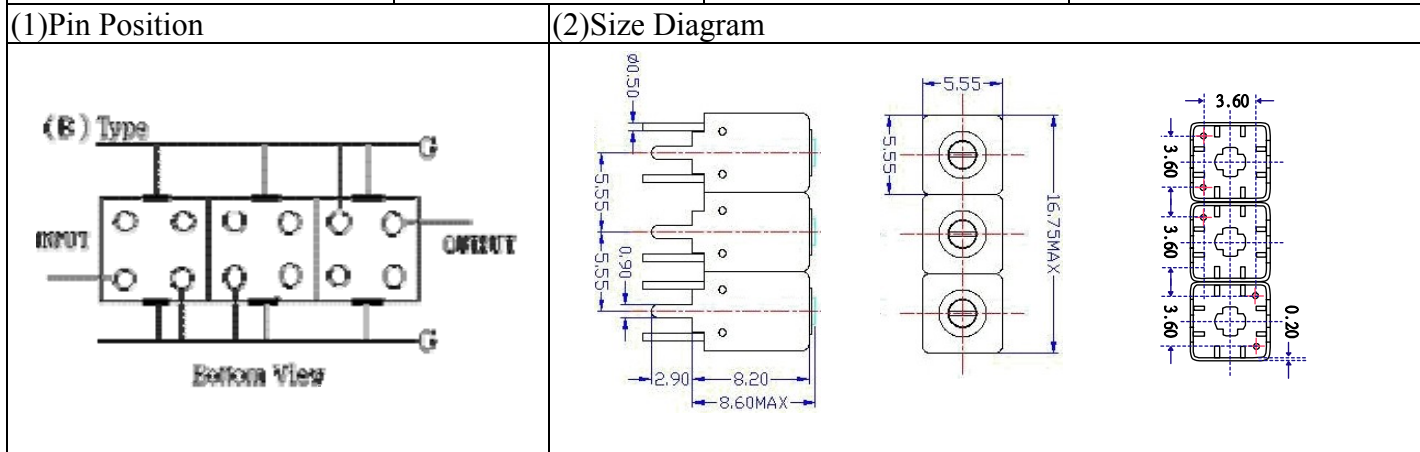


VHF UHF Helical Filter Specification Sheet

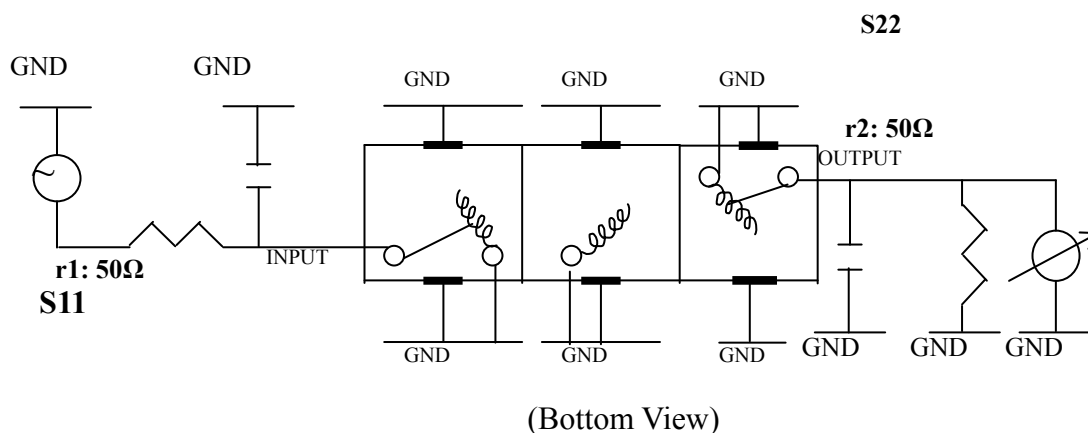
Customer Name		Temwell's Part No.	TTW3675B-1025M
Approval No. /dated	201407095CD	Temwell's Print Name.	3675B 1025M
Work Instruction No.	201407095CD	Date	Oct.22.2014



(3) Electric Character

Item	Specify	Performance
Center Freq.(Fo) +/- 0.5 %	1025 MHz	1025 MHz
Insertion Loss	Typ. 4.5 dB	3.35 dB
-3 dB Bandwidth	Typ. 22 MHz	28.6 MHz
Sensitivity (Attenuation)	Fo - 50 MHz	Typ. 30 dBc
	Fo + 50 MHz	Typ. 22 dBc
	Fo - ()MHz	Typ. dBc
	Fo + ()MHz	Typ. dBc
Return Loss	Min. 12 dB	20.5 dB
Ripple	< 1 dB	dB
Impedance	In / Out : 50 Ω	In / Out : 50 Ω
(4) Torque for Tuning Screw	> 60gf • cm	
(5) Temperature Condition:		
Operating Temperature	0°C ~ +60°C	
Storage Temperature	-20°C ~ +70°C	
(6) Input Power	> 0.5Watt	

(7) Measuring Circuit: ※Easy to match Impedance S11/S22 50Ω by parallel with about(--) / (--).



Approval	Supervisor	Designer	Aperture size
C.Y.Chang	C.K.Chang	J.Yang	5W3S(3.8*4.0)(4.05) 5HW024RB3

TEMWELL CORPORATION

TEMWELL

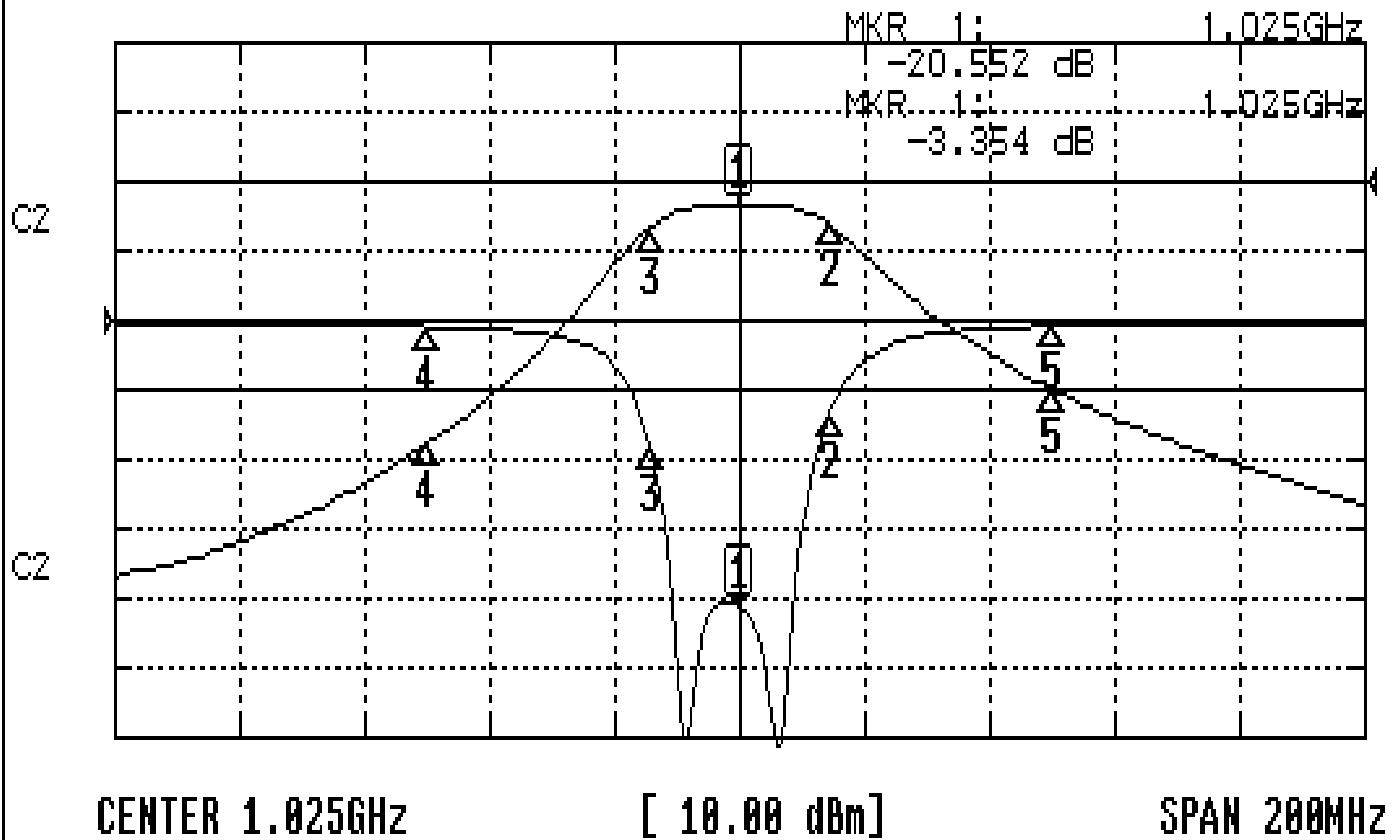
Form10-5W3B Vision D

RP(JY.)

Performance-TTW3675B-1025M

201407095CD

CH1 S11 LOG MAG REF 0.000 dB 5.000 dB/
 CH2 S21 LOG MAG REF 0.000 dB 10.000 dB/



CH1 MARKER LIST

Marker	Frequency	Magnitude
1	1.025 000GHz	-20.552 dB
2	1.039 500GHz	-6.851 dB
3	1.010 833GHz	-9.111 dB
4	975.000MHz	-0.445 dB
5	1.075 000GHz	-0.394 dB

CH2 MARKER LIST

Marker	Frequency	Magnitude
1	1.025 000GHz	-3.354 dB
2	1.039 500GHz	-10.367 dB
3	1.010 833GHz	-10.367 dB
4	975.000MHz	-13.860 dB
5	1.075 000GHz	-29.908 dB