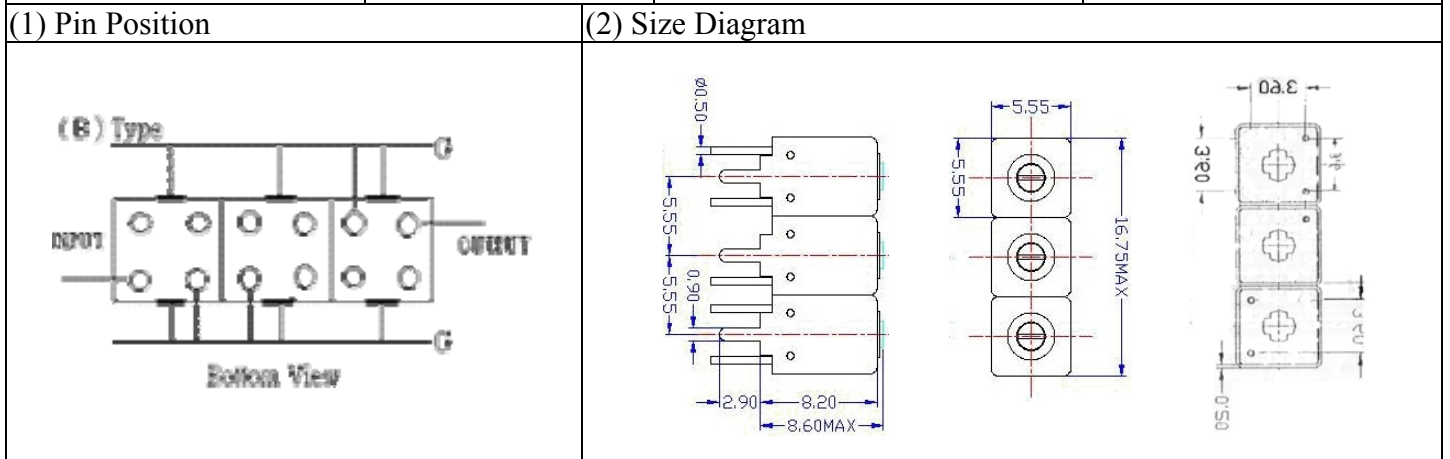


# VHF UHF Helical Filter Specification Sheet

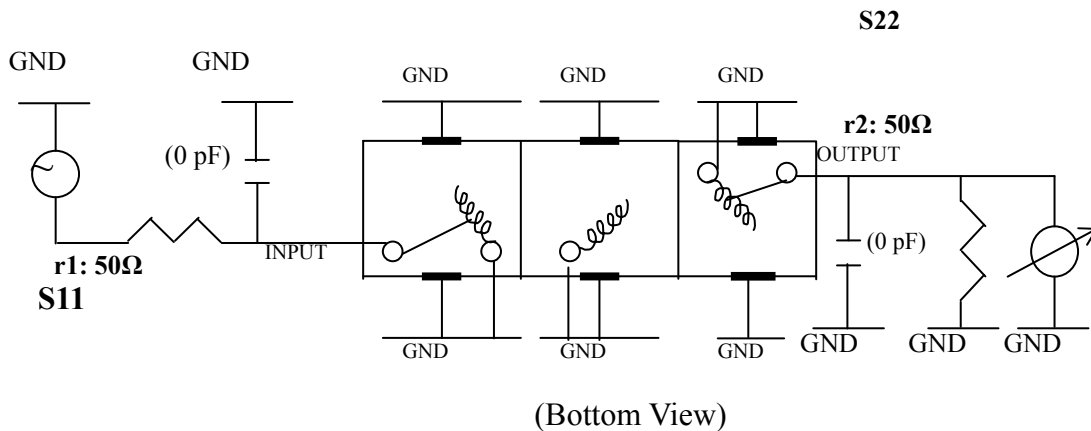
|                      |            |                             |               |
|----------------------|------------|-----------------------------|---------------|
| Customer Name        |            | Temwell's Part No.          | TTW3673B-875M |
| Approval No. /dated  | 0510065APR | Acceptable Specify Fo Range | 851-900 MHz   |
| Work Instruction No. | 0510065DC  | Date                        | Jan.04.2006   |



| Item                         |             | Specify         |     | Performance     |     |
|------------------------------|-------------|-----------------|-----|-----------------|-----|
| Center Freq. (Fo) +/- 0.5 %  |             | 875             | MHz | 875             | MHz |
| Tunable Range:               |             | 875±10          | MHz | 875±1           | MHz |
| Insertion Loss               |             | Typ. 4.0        | dB  | 3.09            | dB  |
| -3 dB Bandwidth              |             | Typ. 25         | MHz | 29.5            | MHz |
| Sensitivity<br>(Attenuation) | Fo - 50 MHz | Typ. 29         | dBc | 32              | dBc |
|                              | Fo + 50 MHz | Typ. 20         | dBc | 23              | dBc |
|                              | Fo - ( )MHz | Typ.            | dBc |                 | dBc |
|                              | Fo + ( )MHz | Typ.            | dBc |                 | dBc |
| Return Loss                  |             | Min. 12         | dB  | 34.7            | dB  |
| Ripple                       |             | < 1             | dB  |                 | dB  |
| Impedance                    |             | In / Out : 50 Ω |     | In / Out : 50 Ω |     |

|                             |               |
|-----------------------------|---------------|
| (4) Torque for Tuning Screw | > 60gf · cm   |
| (5) Temperature Condition:  |               |
| Operating Temperature       | 0°C ~ +60°C   |
| Storage Temperature         | -20°C ~ +70°C |
| (6) Input Power             | > 0.5Watt     |

(7) Measuring Circuit: ※Easy to match Impedance S11/S22 50Ω by parallel with about(0pF) / (0pF).

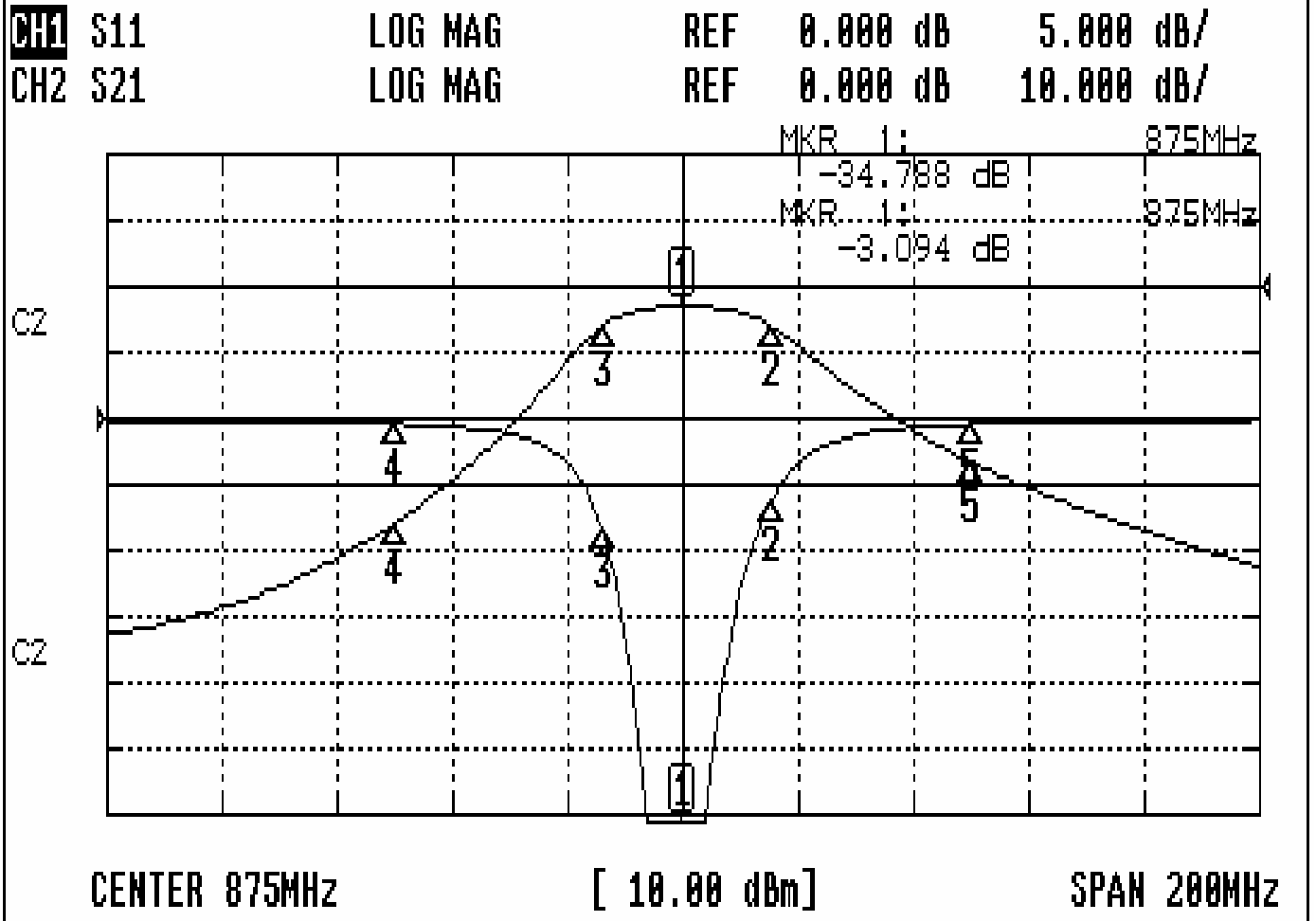


|            |            |            |                                 |
|------------|------------|------------|---------------------------------|
| Approval   | Supervisor | Designer   | Aperture size                   |
| C.Y. Chang | C.S. Chang | C.S. Chang | 5W3, 3.8*4.0(4.09)<br>5HW024RB3 |

TEMWELL CORPORATION

# Performance-TTW3673B-875M

## 0510065DC



### CH1 MARKER LIST

|    |            |            |
|----|------------|------------|
| 1: | 875.000MHz | -34.788 dB |
| 2: | 890.500MHz | -6.173 dB  |
| 3: | 861.000MHz | -8.329 dB  |
| 4: | 825.000MHz | -0.410 dB  |
| 5: | 925.000MHz | -0.439 dB  |

### CH2 MARKER LIST

|    |            |            |
|----|------------|------------|
| 1: | 875.000MHz | -3.091 dB  |
| 2: | 890.500MHz | -6.059 dB  |
| 3: | 861.000MHz | -6.123 dB  |
| 4: | 825.000MHz | -5.769 dB  |
| 5: | 925.000MHz | -26.564 dB |