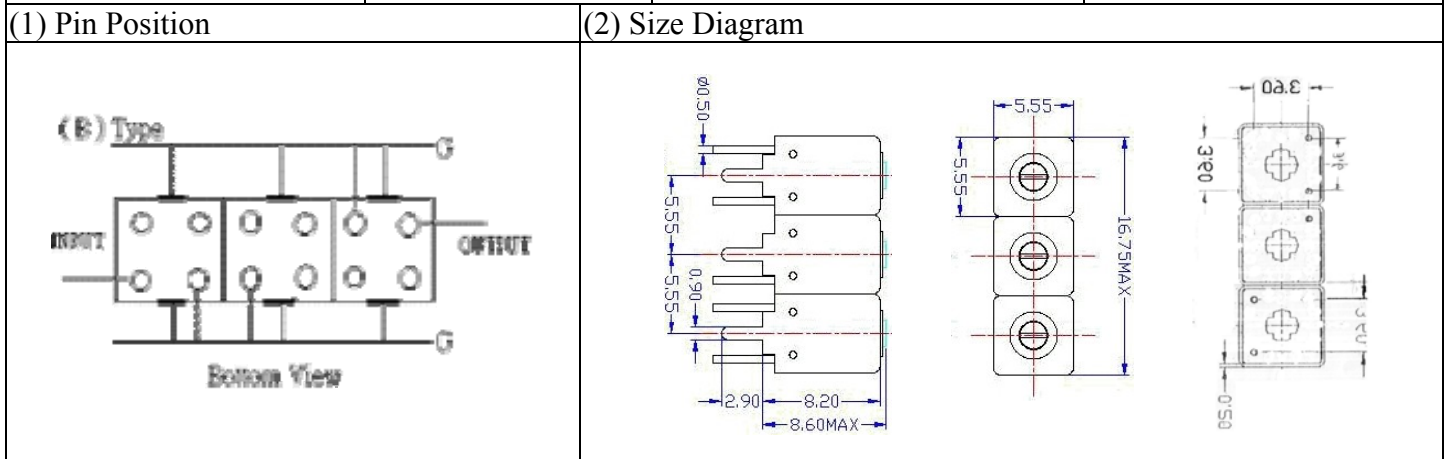
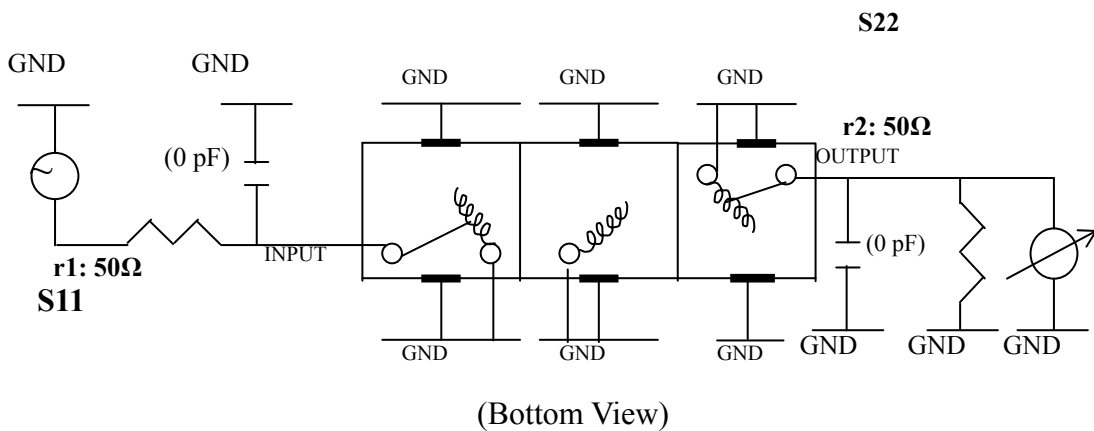


VHF UHF Helical Filter Specification Sheet

Customer Name		Temwell's Part No.	TTW3668B-375M
Approval No. /dated	0510060DC	Acceptable Specify Fo Range	351-400 MHz
Work Instruction No.	0510060DC	Date	Jan.09.2006



(3) Electric Character			
Item	Specify		Performance
Center Freq. (Fo) +/- 0.5 %	375	MHz	375 MHz
Tunable Range:	375±4	MHz	375±4 MHz
Insertion Loss	Typ. 4.5	dB	3.64 dB
-3 dB Bandwidth	Typ. 19	MHz	21.9 MHz
Sensitivity (Attenuation)	Fo - 50 MHz	Typ. 39 dBc	42 dBc
	Fo + 50 MHz	Typ. 32 dBc	35 dBc
	Fo - ()MHz	Typ. dBc	dBc
	Fo +()MHz	Typ. dBc	dBc
Return Loss	Min. 12	dB	20.2 dB
Ripple	< 1	dB	dB
Impedance	In / Out : 50 Ω		In / Out : 50 Ω
(4) Torque for Tuning Screw			
> 60gf · cm			
(5) Temperature Condition:			
Operating Temperature	0°C ~ +60°C		
Storage Temperature	-20°C ~ +70°C		
(6) Input Power			
> 0.5Watt			
(7) Measuring Circuit: ※Easy to match Impedance S11/S22 50Ω by parallel with about(0pF) / (0pF).			



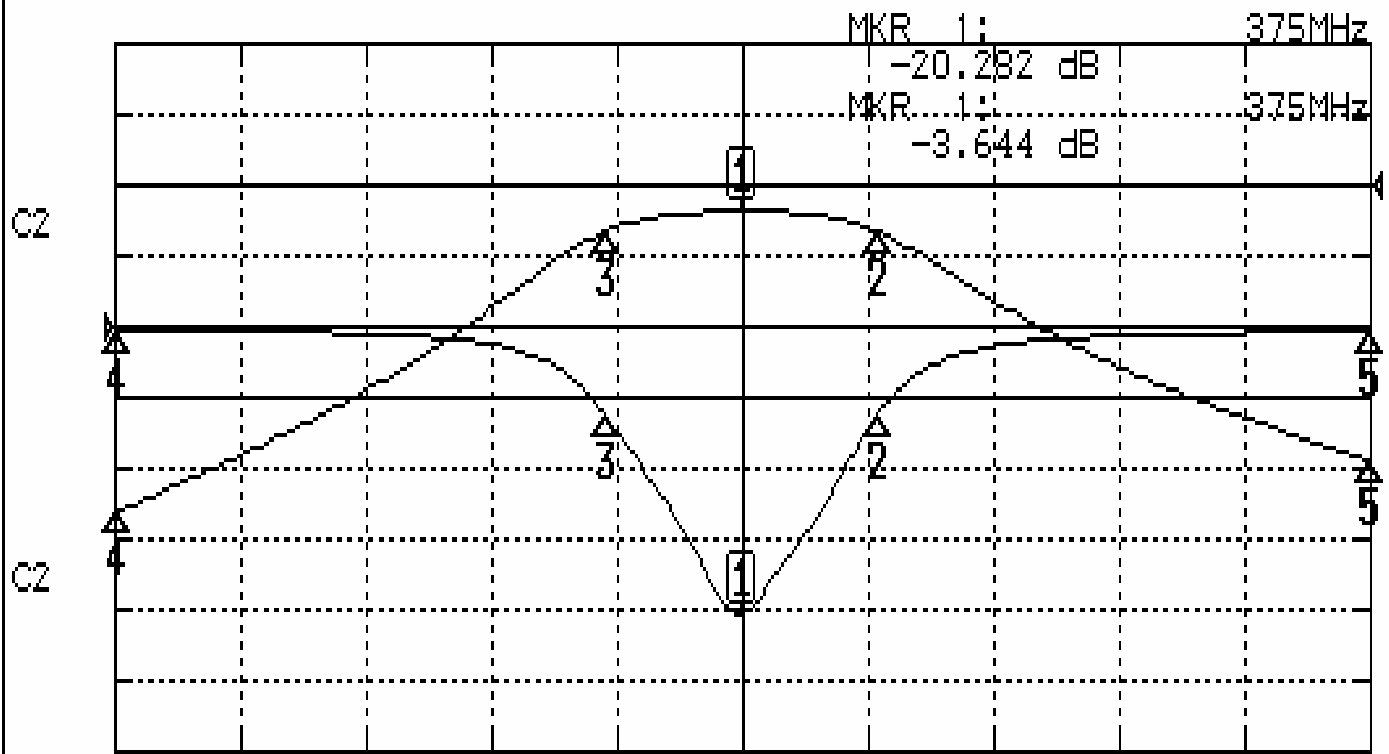
Approval	Supervisor	Designer	Aperture size
C.Y. Chang	C.S. Chang	C.S. Chang	5W3, 3.8*4.5(4.60) 5HW00LB3

TEMWELL CORPORATION

Performance-TTW3668B-375M

0510060DC

CH1 S11 LOG MAG REF 0.000 dB 5.000 dB/
CH2 S21 LOG MAG REF 0.000 dB 10.000 dB/



CENTER 375MHz

[10.00 dBm]

SPAN 100MHz

CH1 MARKER LIST

1:	375.000MHz	-20.282	dB
2:	385.916MHz	-6.090	dB
3:	364.000MHz	-6.072	dB
4:	325.000MHz	-0.258	dB
5:	425.000MHz	-0.352	dB
6:			
7:			
8:			
9:			
10:			

CH2 MARKER LIST

1:	375.000MHz	-3.644	dB
2:	385.916MHz	-6.632	dB
3:	364.000MHz	-6.510	dB
4:	325.000MHz	-46.164	dB
5:	425.000MHz	-38.838	dB
6:			
7:			
8:			
9:			
10:			