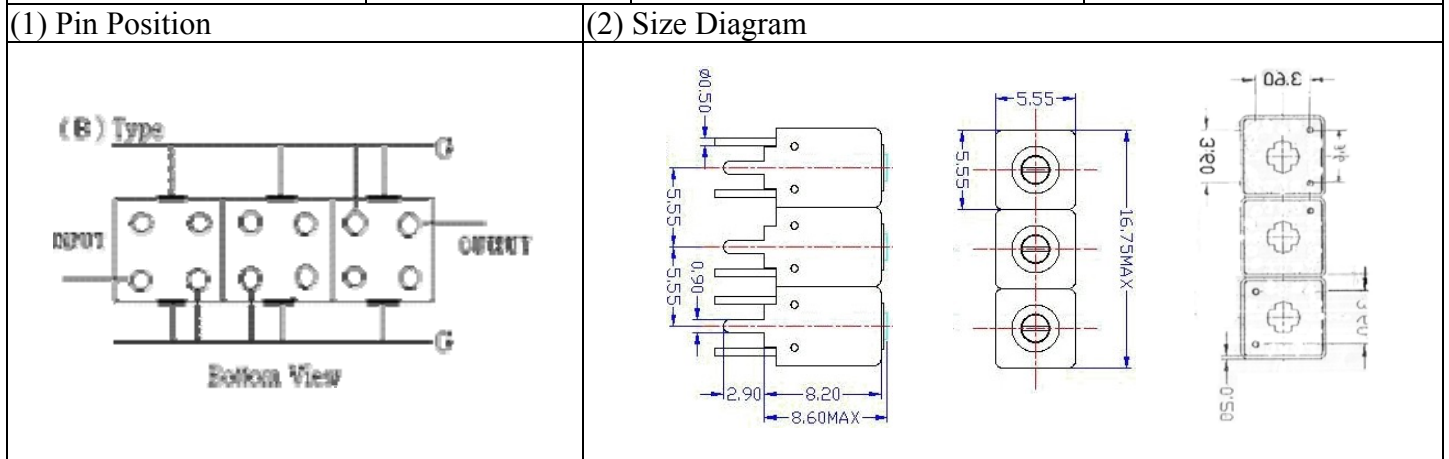


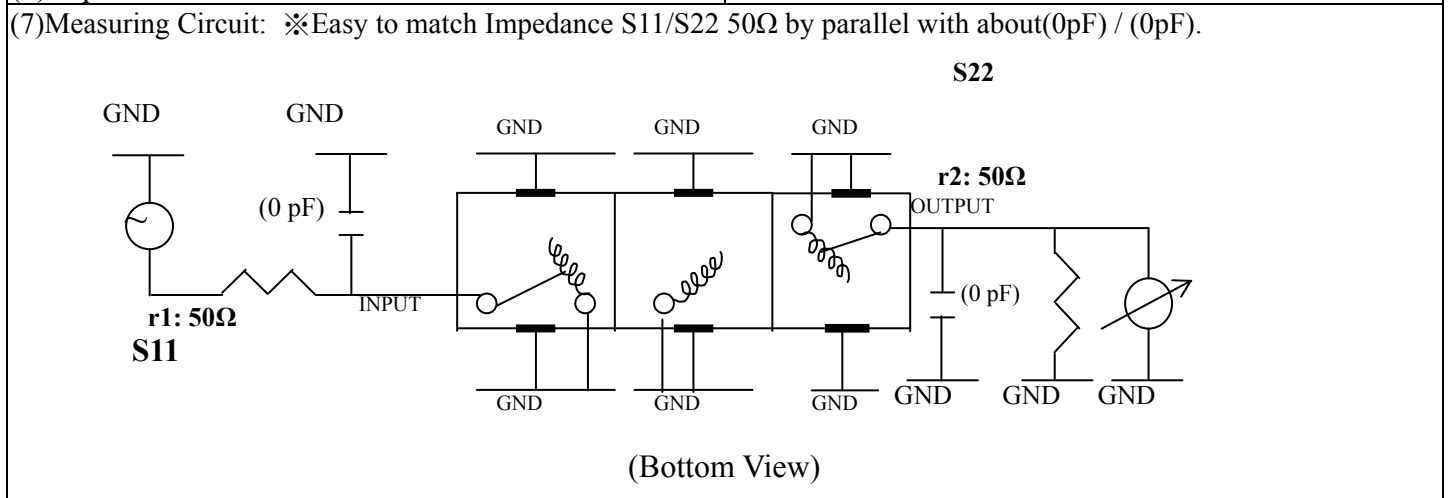
VHF UHF Helical Filter Specification Sheet

Customer Name		Temwell's Part No.	TTW3660B-775M
Approval No. /dated	0510052APR	Acceptable Specify Fo Range	751-800 MHz
Work Instruction No.	0510052DC	Date	Jan.03.2006



(3) Electric Character		Specify	Performance
Item			
Center Freq. (Fo) +/- 0.5 %		775 MHz	775 MHz
Tunable Range:		775±5 MHz	775±5 MHz
Insertion Loss		Typ. 4.5 dB	3.52 dB
-3 dB Bandwidth		Typ. 15 MHz	19.8 MHz
Sensitivity (Attenuation)	Fo - 50 MHz	Typ. 38 dBc	41 dBc
	Fo + 50 MHz	Typ. 29 dBc	32 dBc
	Fo - ()MHz	Typ. dBc	dBc
	Fo +()MHz	Typ. dBc	dBc
Return Loss		Min. 12 dB	27.0 dB
Ripple		< 1 dB	dB
Impedance		In / Out : 50 Ω	In / Out : 50 Ω

(4) Torque for Tuning Screw	> 60gf · cm
(5) Temperature Condition:	
Operating Temperature	0°C ~ +60°C
Storage Temperature	-20°C ~ +70°C
(6) Input Power	> 0.5Watt



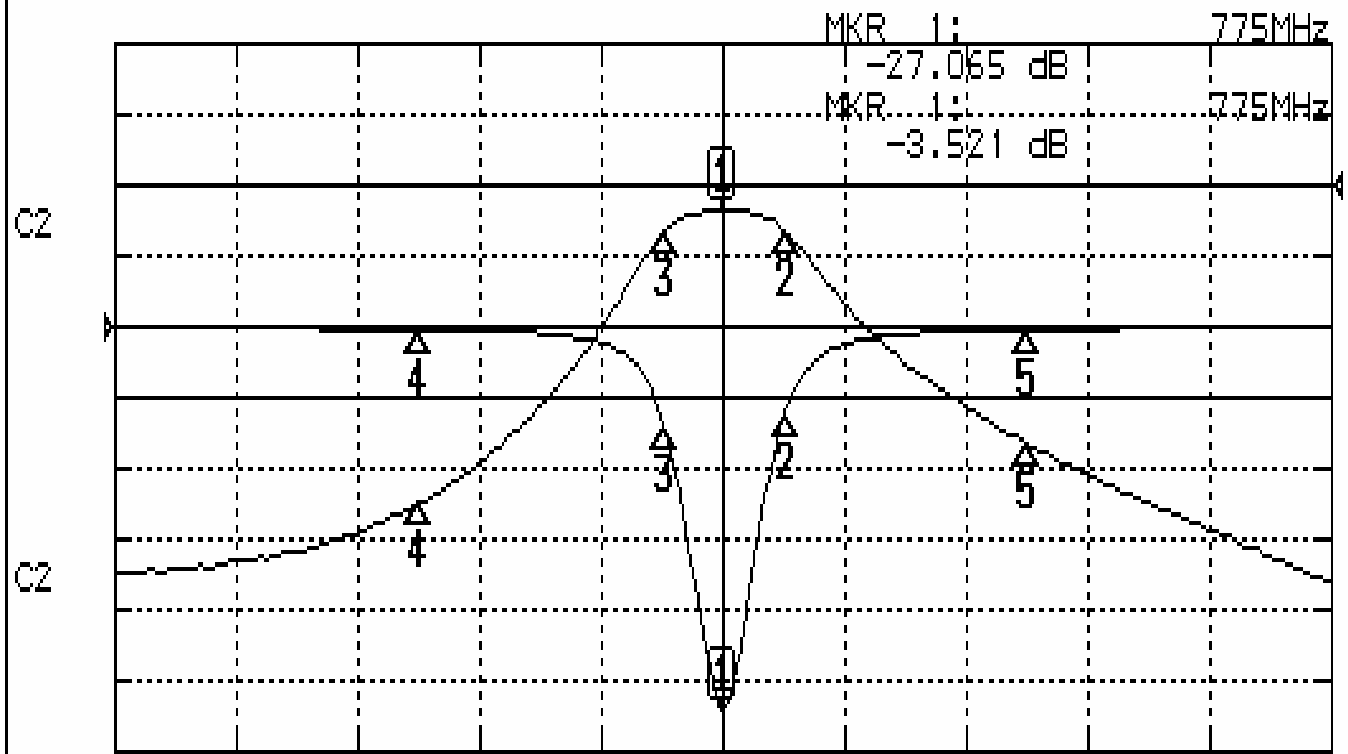
Approval	Supervisor	Designer	Aperture size
C.Y. Chang	C.S. Chang	C.S. Chang	5W3, 3.8*3.5(3.61) 5HW024RB3

TEMWELL CORPORATION

Performance-TTW3660B-775M

0510052DC

CH1 S11 LOG MAG REF 0.000 dB 5.000 dB/
CH2 S21 LOG MAG REF 0.000 dB 10.000 dB/



CENTER 775MHz

[10.00 dBm]

SPAN 200MHz

CH1 MARKER LIST

1:	775.000MHz	-27.057 dB
2:	785.333MHz	-6.173 dB
3:	765.500MHz	-7.034 dB
4:	725.000MHz	-0.213 dB
5:	825.000MHz	-0.215 dB

CH2 MARKER LIST

1:	775.000MHz	-3.521 dB
2:	785.333MHz	-6.555 dB
3:	765.500MHz	-6.461 dB
4:	725.000MHz	-45.010 dB
5:	825.000MHz	-36.491 dB