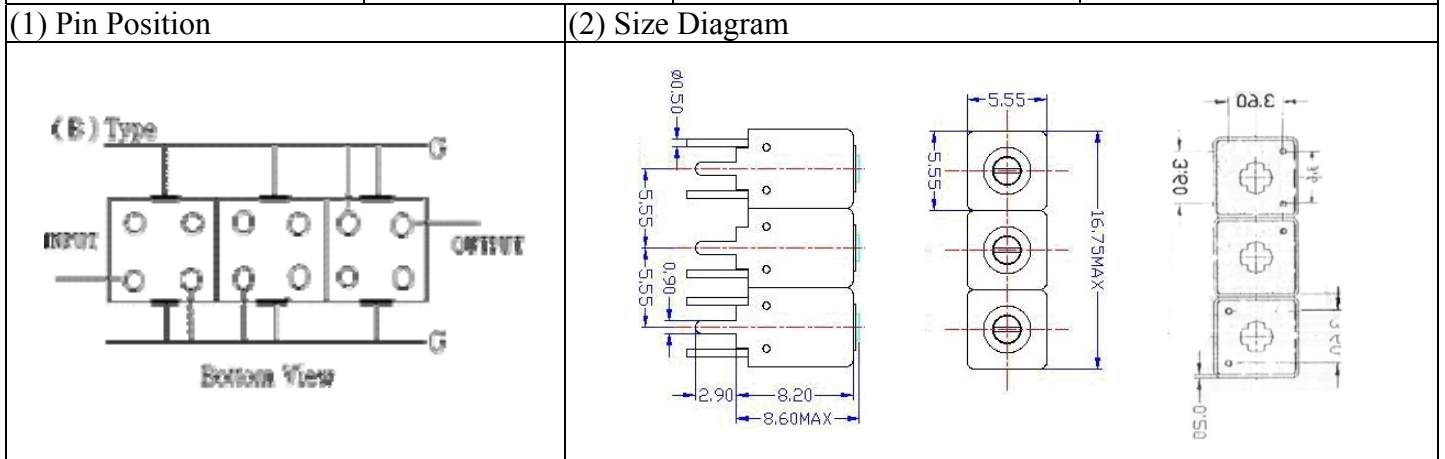


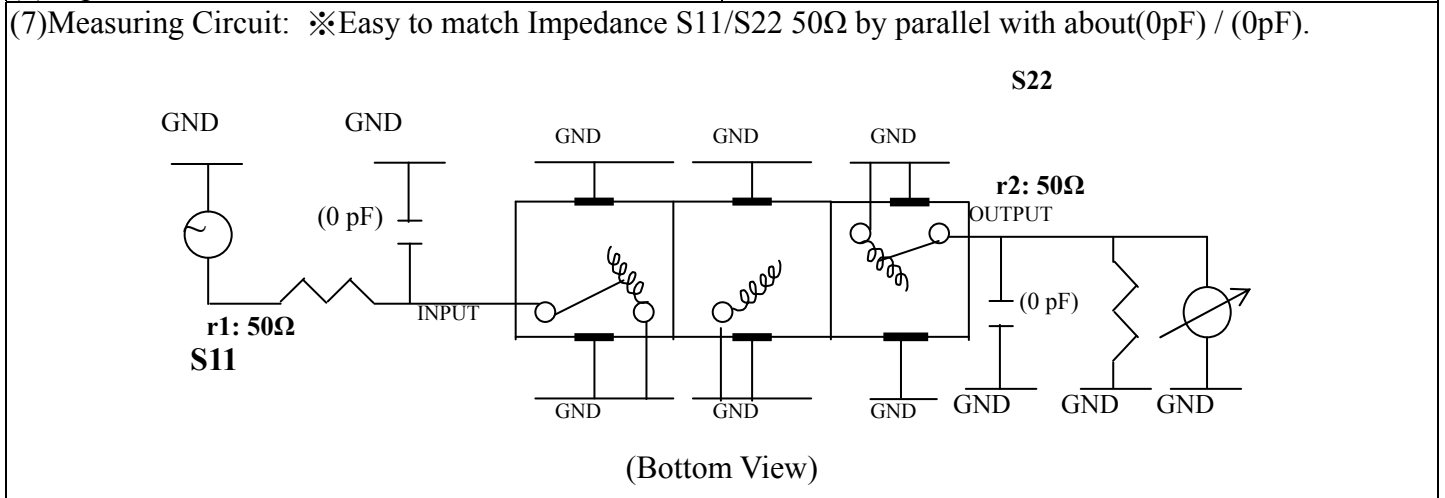
VHF UHF Helical Filter Specification Sheet

Customer Name		Temwell's Part No.	TTW3659B-325M
Approval No. /dated	0510051DC	Acceptable Specify Fo Range	301-350 MHz
Work Instruction No.	0510051DC	Date	Jan.06.2006



(3) Electric Character			
Item	Specify	Performance	
Center Freq. (Fo) +/- 0.5 %	325 MHz	325	MHz
Tunable Range:	325±4 MHz	325±4	MHz
Insertion Loss	Typ. 4.5 dB	3.58	dB
-3 dB Bandwidth	Typ. 15 MHz	18.4	MHz
Sensitivity (Attenuation)	Fo - 50 MHz	Typ. 45	dBc
	Fo + 50 MHz	Typ. 40	dBc
	Fo - ()MHz	Typ.	dBc
	Fo +()MHz	Typ.	dBc
Return Loss	Min. 12 dB	27.7	dB
Ripple	< 1 dB		dB
Impedance	In / Out : 50 Ω	In / Out : 50 Ω	

(4) Torque for Tuning Screw	> 60gf · cm
(5) Temperature Condition:	
Operating Temperature	0°C ~ +60°C
Storage Temperature	-20°C ~ +70°C
(6) Input Power	> 0.5Watt

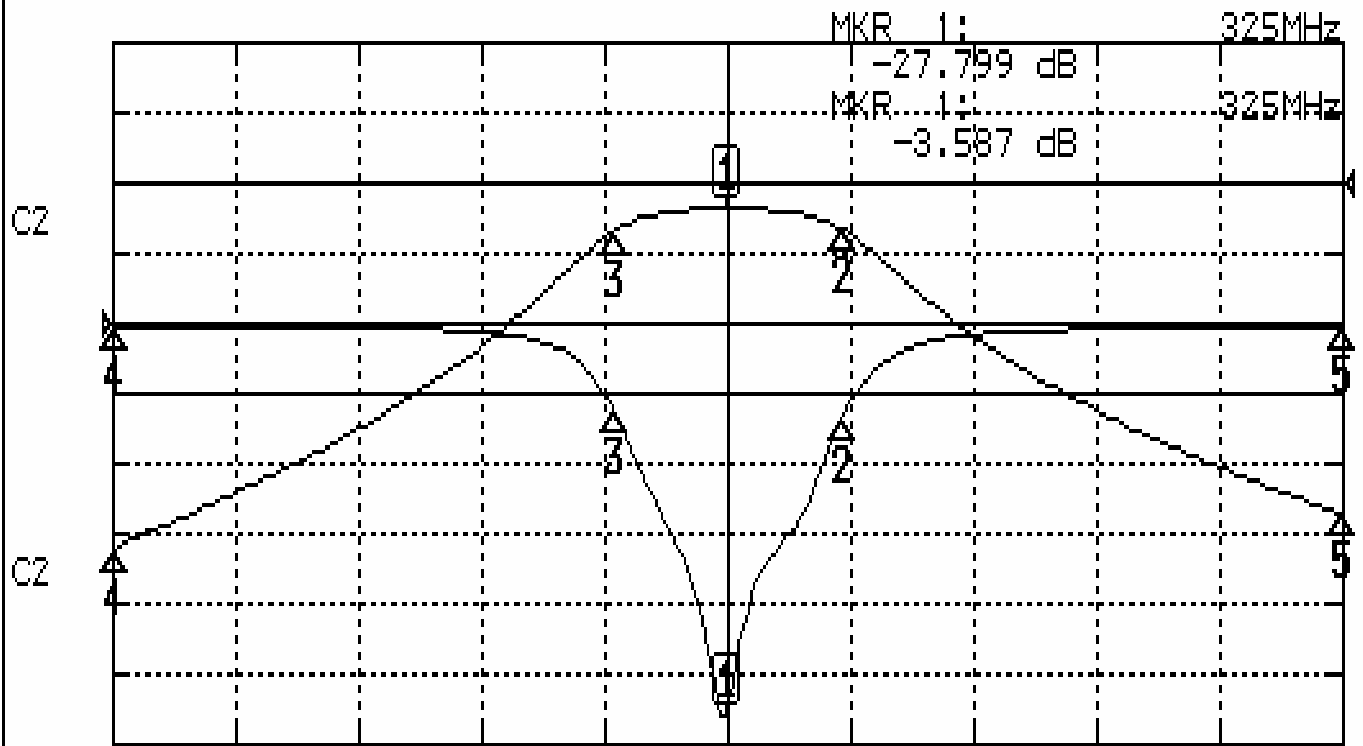


Approval	Supervisor	Designer	Aperture size
C.Y. Chang	C.S. Chang	C.S. Chang	5W3, 3.8*4.5(4.62) 5HW00LB3

Performance-TTW3659B-325M

0510051DC

CH1 S11 LOG MAG REF 0.000 dB 5.000 dB/
CH2 S21 LOG MAG REF 0.000 dB 10.000 dB/



CENTER 325MHz

[10.00 dBm]

SPAN 100MHz

CH1 MARKER LIST

Marker	Frequency (MHz)	Magnitude (dB)
1	325.000	-27.799
2	334.333	-16.847
3	315.916	-16.413
4	275.000	-0.161
5	375.000	-0.229

CH2 MARKER LIST

Marker	Frequency (MHz)	Magnitude (dB)
1	325.000	-3.584
2	334.333	-1.561
3	315.916	-1.619
4	275.000	-2.004
5	375.000	-47.347