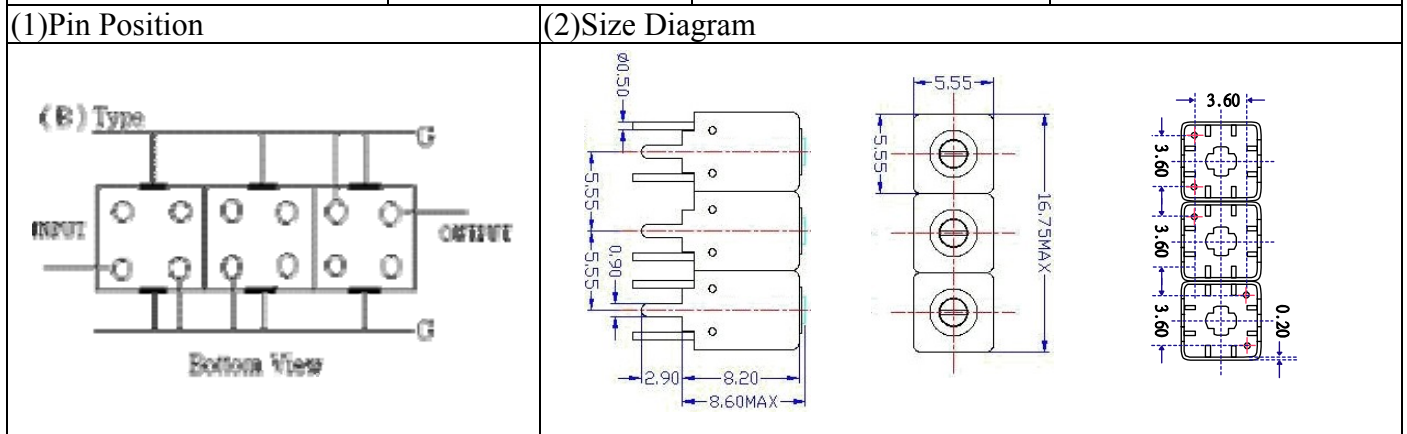


VHF UHF Helical Filter Specification Sheet

Customer Name		Temwell's Part No.	TTW3658B-275M
Approval No. /dated	201407179CD	Temwell's Print Name.	3658B 275M
Work Instruction No.	201407179CD	Date	Oct.23.2014



(3) Electric Character		Item	Specify	Performance
Center Freq.(Fo) +/- 0.5 %			275 MHz	275 MHz
Insertion Loss		Typ.	3.5 dB	2.74 dB
-3 dB Bandwidth		Typ.	15 MHz	17.0 MHz
Sensitivity (Attenuation)	Fo - 50 MHz	Typ.	58 dBc	61 dBc
	Fo + 50 MHz	Typ.	34 dBc	37 dBc
	Fo - ()MHz	Typ.	dBc	dBc
	Fo +()MHz	Typ.	dBc	dBc
Return Loss		Min.	12 dB	34.5 dB
Ripple			< 1 dB	dB
Impedance			In / Out : 50 Ω	In / Out : 50 Ω

(4) Torque for Tuning Screw > 60gf · cm

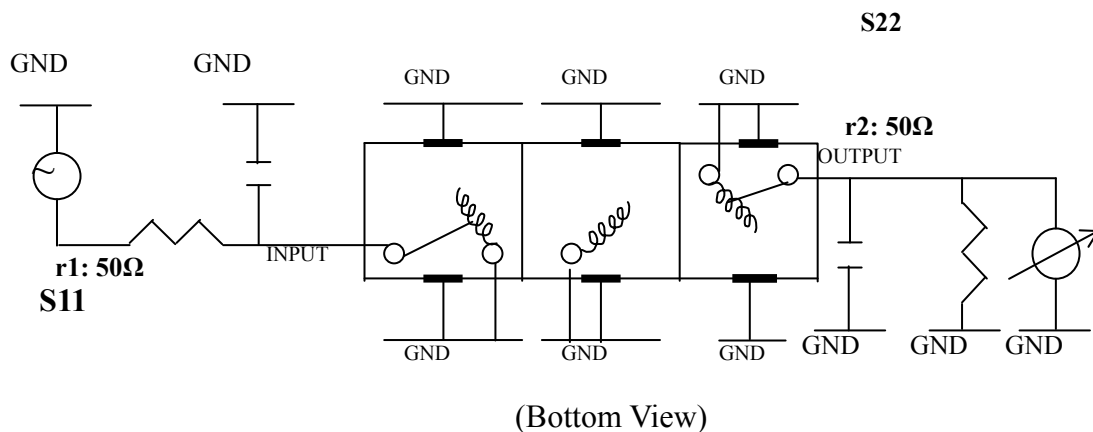
(5) Temperature Condition:

Operating Temperature 0°C ~ +60°C

Storage Temperature -20°C ~ +70°C

(6) Input Power > 0.5Watt

(7) Measuring Circuit: ※Easy to match Impedance S11/S22 50Ω by parallel with about(--) / (--).



Approval	Supervisor	Designer	Aperture size
C.Y.Chang	C.K.Chang	C.H.Yeh	5W3S(3.8*5.1)(5.11) 5HW00LB3

TEMWELL CORPORATION

TEMWELL

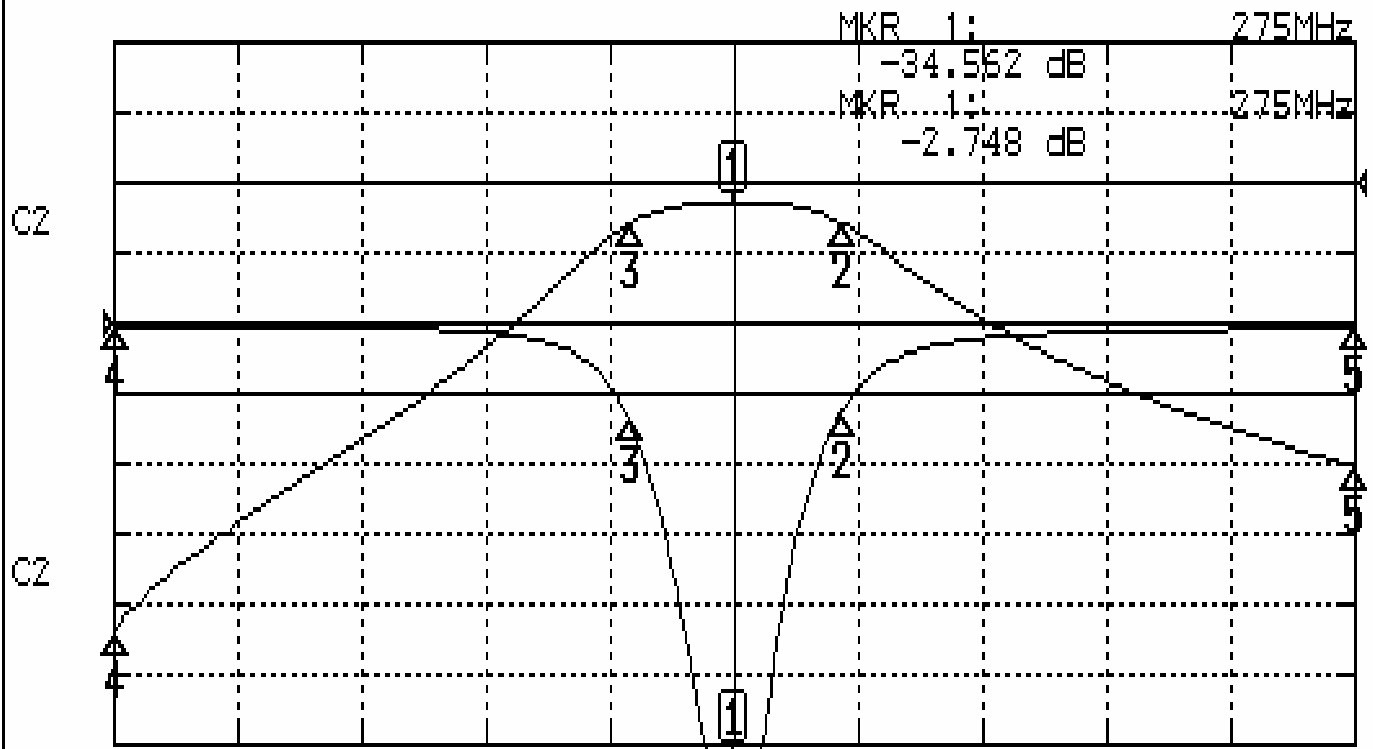
Form10-5W3B Vision D

RP(C.H.Y)

Performance-TTW3658B-275M

201407179CD

CH1 S11 LOG MAG REF 0.000 dB 5.000 dB/
CH2 S21 LOG MAG REF 0.000 dB 10.000 dB/



CENTER 275MHz

[10.00 dBm]

SPAN 100MHz

CH1 MARKER LIST

Marker	Frequency (MHz)	Magnitude (dB)
1:	275.000	-34.562
2:	283.666	-6.361
3:	266.583	-6.943
4:	225.000	-0.171
5:	325.000	-0.356

CH2 MARKER LIST

Marker	Frequency (MHz)	Magnitude (dB)
1:	275.000	-2.748
2:	283.666	-5.757
3:	266.583	-5.720
4:	225.000	-64.266
5:	325.000	-40.391